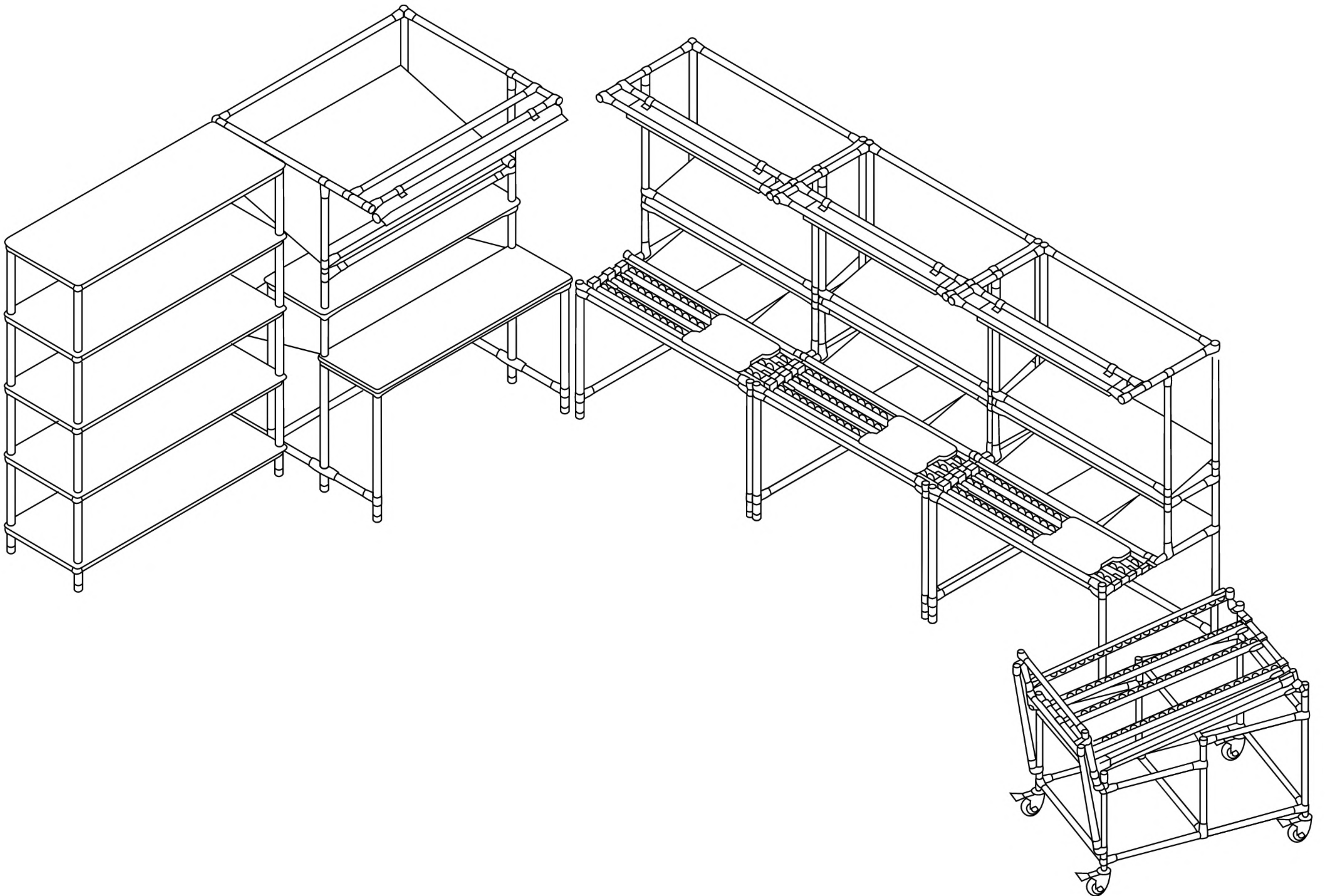


adenya

LEAN SYSTEMS
ACCESSORIES CATALOG



LEAN solutions for intralogistics
Everything for prefabricated structures and gravity racks



CONTENT:

T SERIES	PIPES	pp. 4
HJ SERIES	METAL JOINTS (SETS)	pp. 8
H SERIES	METAL JOINTS	pp. 15
P SERIES	PLASTIC ACCESSORIES	pp. 21
R SERIES	TRANSPORTATION PALLETS	pp. 26
F SERIES	METAL ACCESSORIES	pp. 35
L SERIES	ADJUSTABLE SUPPORTS	pp. 41
N SERIES	FASTENERS	pp. 44
C SERIES	WHEELS AND STOPERS	pp. 46
	EXAMPLES	pp. 50
	PAGE POINTER	pp. 55

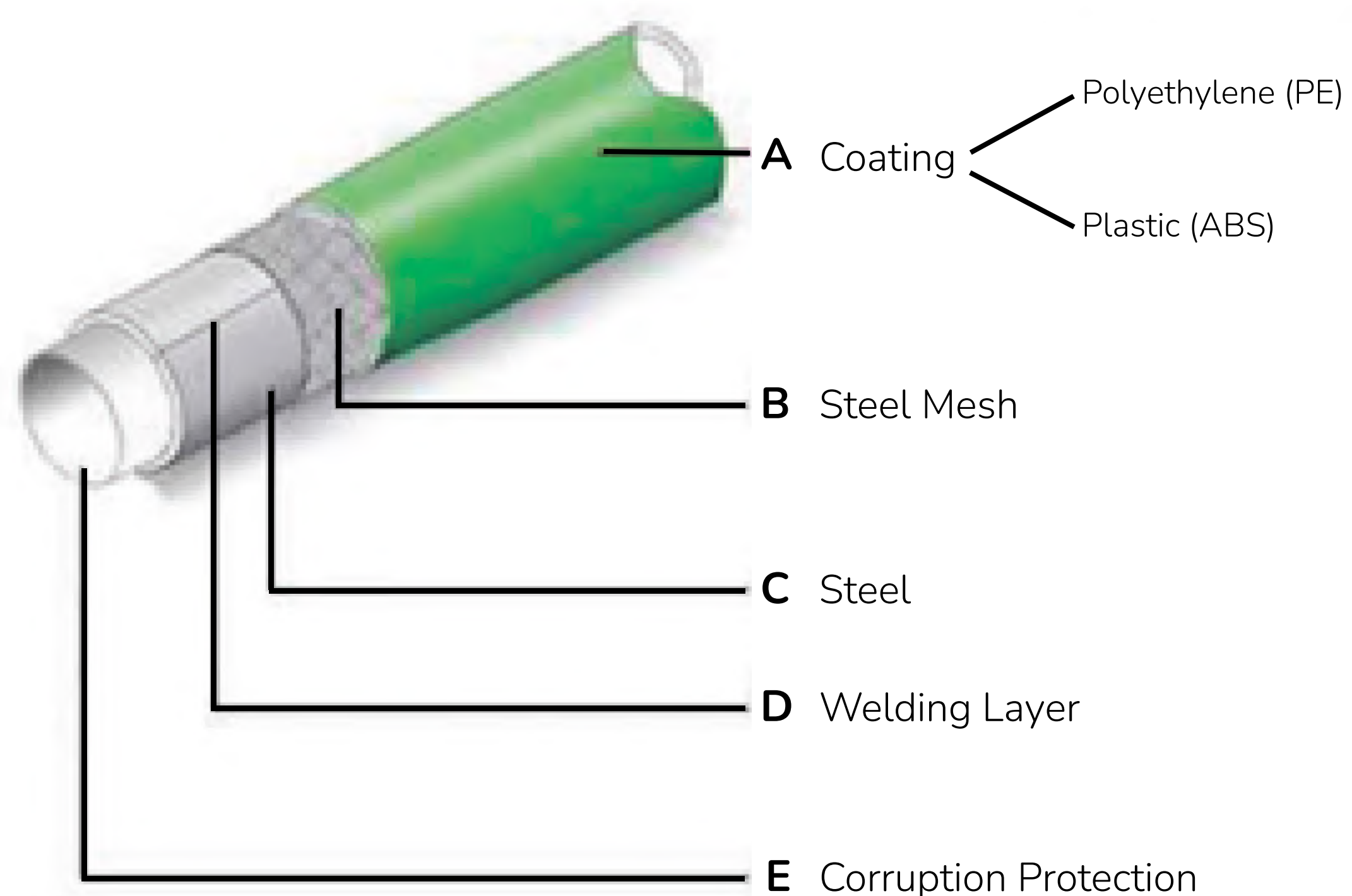


T SERIES

PIPES

PIPES

PLASTIC COVERED PIPES



- Wide application in various fields of industry and life.
- Wear resistance.
- High strength characteristics.
- Aesthetic look.
- Durability.

STAINLESS STEEL PIPES




- High strength and durability.
- The surface is protected from abrasion and contact with metal tool.
- High protection against the effects of oils and chemicals agents (solvents, bleaches, etc.)
- Fireproof.

GALVANIZED STEEL PIPE





- Sun protection.
- Protection against oil and chemicals.
- Fireproof.


T-1PE10U2440-N / T-1ABS10U4000-N

	DESCRIPTION	COLOR	CODE	SIZE, MM	LENGTH, M	METERS PER PACKAGING	WEIGHT, KG/M
	PLASTIC COVERED PIPES	BLUE	T-1PE10U	Ø28 X T 0.9	2.44	19.52	0.629
		T-1ABS10U		4	40		


T-1PEESD10B2440-N / T-1ABSESD10B4000-N

 	DESCRIPTION	COLOR	CODE	ESD PIPE	SIZE, MM	LENGTH, M	METERS PER PACKAGING	WEIGHT, KG/M
	ELECTRICAL CONDUIT PIPE	BLACK	T-1PEESD10B	Ø28 X T 0.9	2.44	19.52	0.629	
		T-1ABSESD10B		4	40			

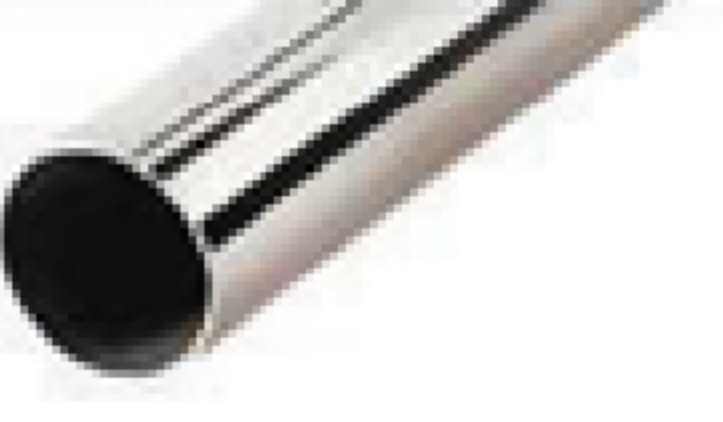

T-1PE10W4000-N / T-1ABS15W4000-N

	DESCRIPTION	COLOR	CODE	SIZE, MM	LENGTH, M	METERS PER PACKAGING	WEIGHT, KG/M
	PLASTIC COVERED PIPES	WHITE	T-1PE10W	Ø28 X T 0.9	4	40	0.629
		T-1ABS15W	Ø28 X T 1.4	1.070			

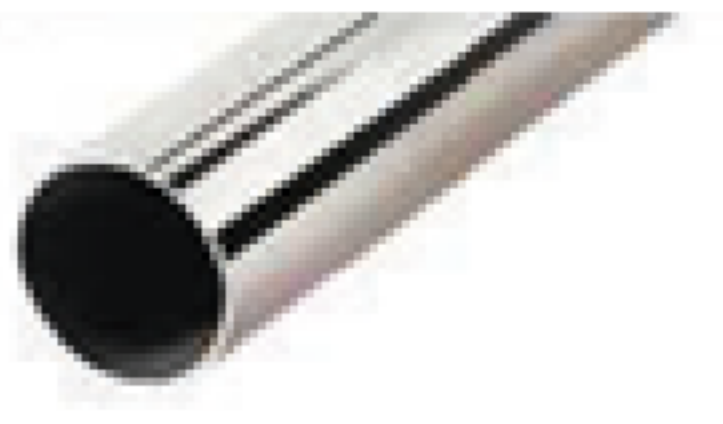

T-1PE10V4000-N / T-1ABS10V4000-N

	DESCRIPTION	COLOR	CODE	SIZE, MM	LENGTH, M	METERS PER PACKAGING	WEIGHT, KG/M
	PLASTIC COVERED PIPES	IVORY	T-1PE10V	Ø28 X T 0.9	4	40	0.629
		T-1ABS10V	Ø28 X T 0.9	0.640			


T-3SUS201104000-N / T-3SUS201084000-N / T-3SUS201124000-N

 	DESCRIPTION	COLOR	CODE	ESD PIPE	SIZE, MM	LENGTH, M	METERS PER PACKAGING	WEIGHT, KG/M
	PLASTIC COVERED PIPES	201	T-3SUS20110	Ø28 X T 0.9	4	40	0.593	
		201	T-3SUS20108	Ø28 X T 0.7			0.464	
		201	T-3SUS20112	Ø28 X T 1.1			0.719	


T-3STS409082440-N / T-3STS409084000-N

 	DESCRIPTION	COLOR	CODE	ESD PIPE	SIZE, MM	LENGTH, M	METERS PER PACKAGING	WEIGHT, KG/M
	PLASTIC COVERED PIPES	409	T-3STS40908	Ø28 X T 0.7	4	40	0.464	


T-1ABS10DU4000-N

	DESCRIPTION	COLOR	CODE	SIZE, MM	LENGTH, M	METERS PER PACKAGING	WEIGHT, KG/M
	PLASTIC COVERED PIPES	DARK BLUE	T-1ABS10DU	Ø28 X T 0.9	4	40	0.629


T-1PE10DG2440-N / T-1ABS10DG4000-N

	DESCRIPTION	COLOR	CODE	SIZE, MM	LENGTH, M	METERS PER PACKAGING	WEIGHT, KG/M
	PLASTIC COVERED PIPES	DARK GRAY	T-1PE10DG	Ø28 X T 0.9	4	40	0.629
		T-1ABS10DG					



T-1PE10Y2440-N / T-1ABS10Y4000-N

	DESCRIPTION	COLOR	CODE	SIZE, MM	LENGTH, M	METERS PER PACKAGING	WEIGHT, KG/M
	PLASTIC COVERED PIPES	YELLOW	T-1PE10Y	Ø28 X T 0.9	4	40	0.629
		T-1ABS10Y					

T-1PE10R2440-N / T-1ABS10R4000-N


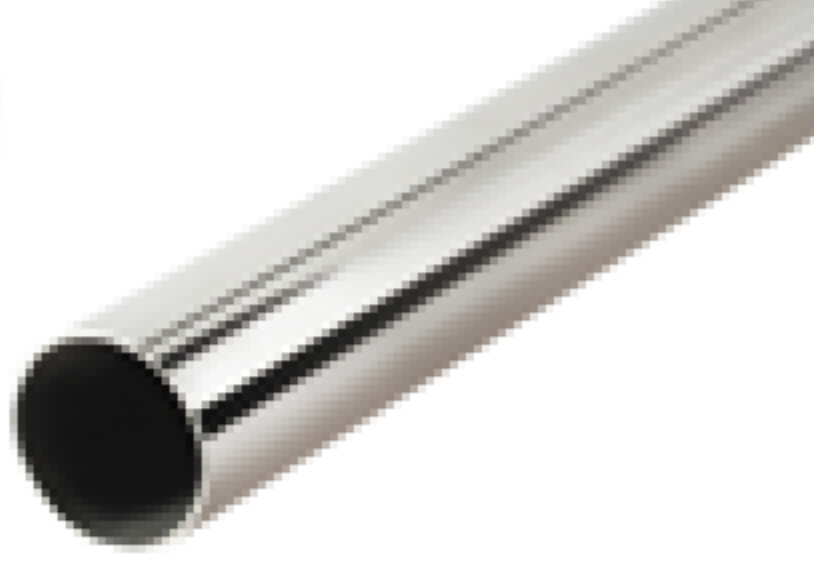
	DESCRIPTION	COLOR	CODE	SIZE, MM	LENGTH, M	METERS PER PACKAGING	WEIGHT, KG/M
	PLASTIC COVERED PIPES	RED	T-1PE10R	Ø28 X T 0.9	4	40	0.629
		T-1ABS10R					

T-1


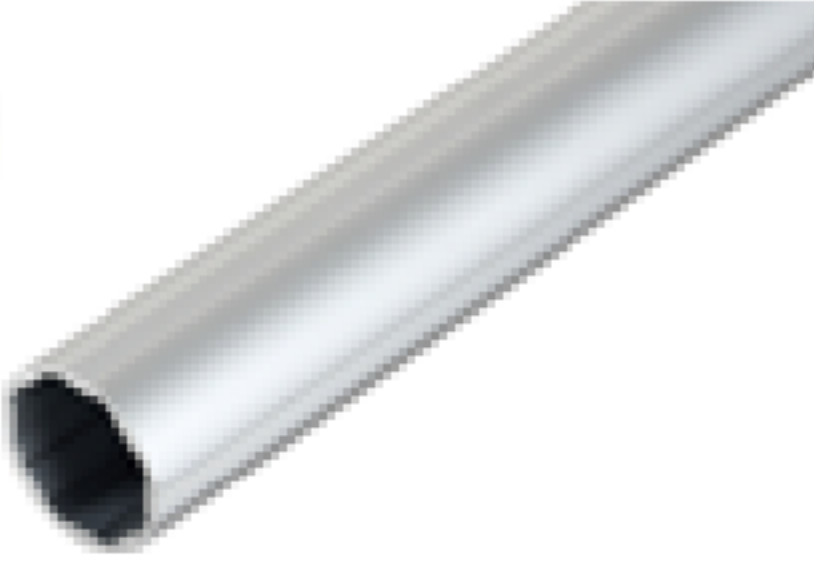
DESCRIPTION	CONCEALMENT	ESD PIPES	SIZE, MM	LENGTH, M	METERS PER PACK	MASSA, KG/M
POLYPROPYLENE COVERING	T - 1PPR08		Ø28 X T 0.7	4	40	0.522
	T - 1PPR10	T - 1PPRES10	Ø28 X T 0.9			0.640
	T - 1PPR12		Ø28 X T 1.1			0.812
	T - 1PPR20		Ø28 X T 1.8	4	20	1.250
ABS PLASTIC COVERING	T - 1ABS08		Ø28 X T 0.7	4	40	0.522
	T - 1ABS10	T - 1ABSESD10	Ø28 X T 0.9			0.640
	T - 1ABS12		Ø28 X T 1.1			0.812
	T - 1ABS20		Ø28 X T 1.8	4	20	1.250
PE PLASTIC COVERING	T - 1PE08		Ø28 X T 0.7	4	40	0.511
	T - 1PE10	T - 1PEESD10	Ø28 X T 0.9			0.629
	T - 1PE12		Ø28 X T 1.1			0.744
	T - 1PE20		Ø28 X T 1.8	4	20	1.239

T-3

DESCRIPTION	CONCEALMENT	ESD PIPES	SIZE, MM	LENGTH, M	METERS PER PACK	MASSA, KG/M
ELECTRICAL CONDUIT PIPE		T-3SUS08	Ø28 X T 0.7	4	40	0.464
		T-3SUS10	Ø28 X T 0.9			0.593
		T-3SUS12	Ø28 X T 1.1			0.719

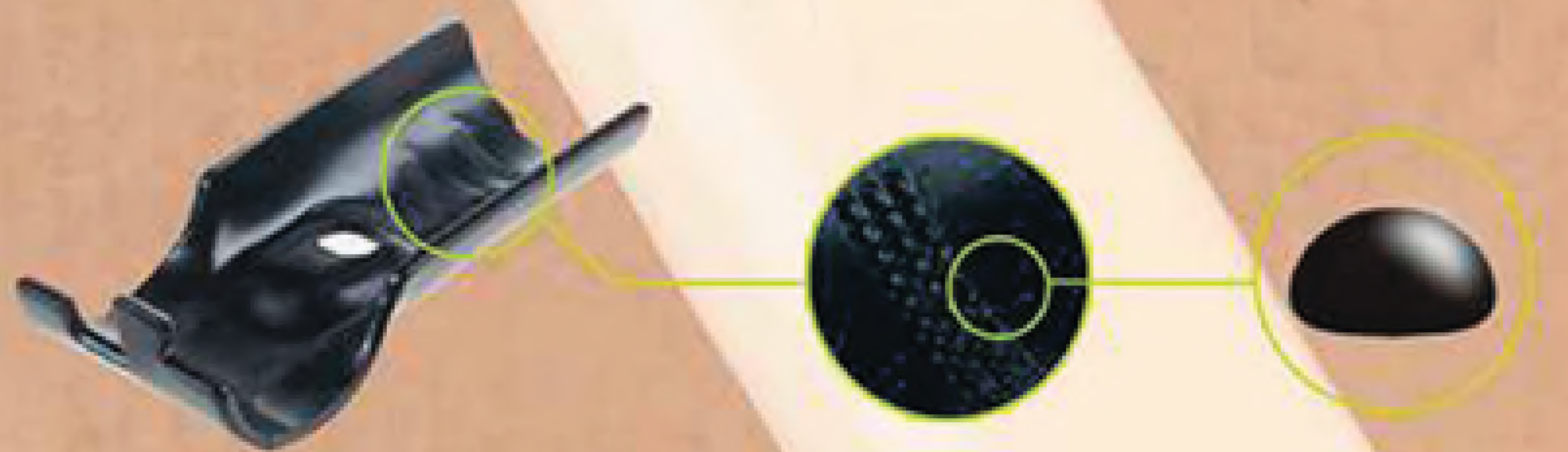
T-4 FOR OPEN AIR USAGE

DESCRIPTION	CONCEALMENT	ESD PIPES	SIZE, MM	LENGTH, M	METERS PER PACK	MASSA, KG/M
GALVANIZED ELECTRICAL CONDUIT PIPES		T - 4WZ15	Ø28 X T 1.4	4	40	0.966



HJ SERIES
METAL JOINTS
(SETS)



Coating Options for Metal Connectors



BK
BLACK

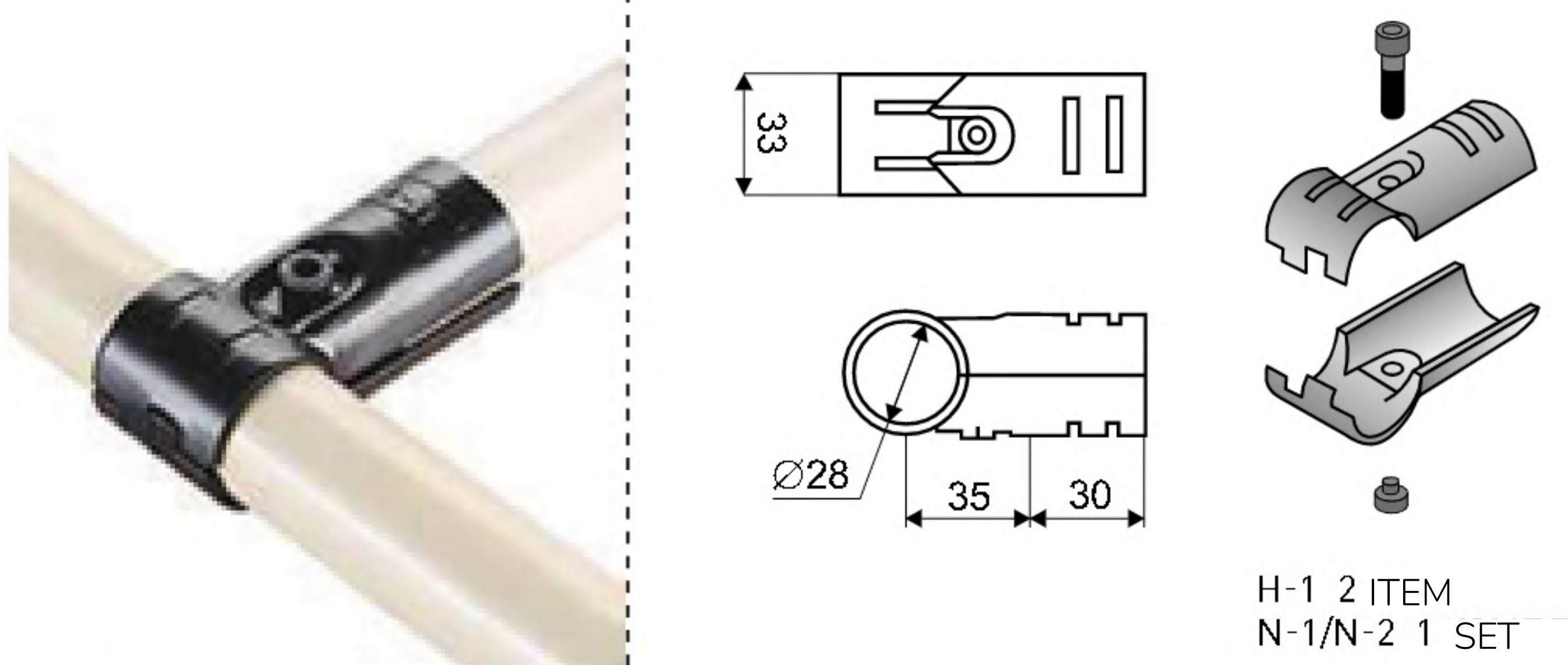
WZ
GALVANIZED

CP
CHROMIUM
PLATED

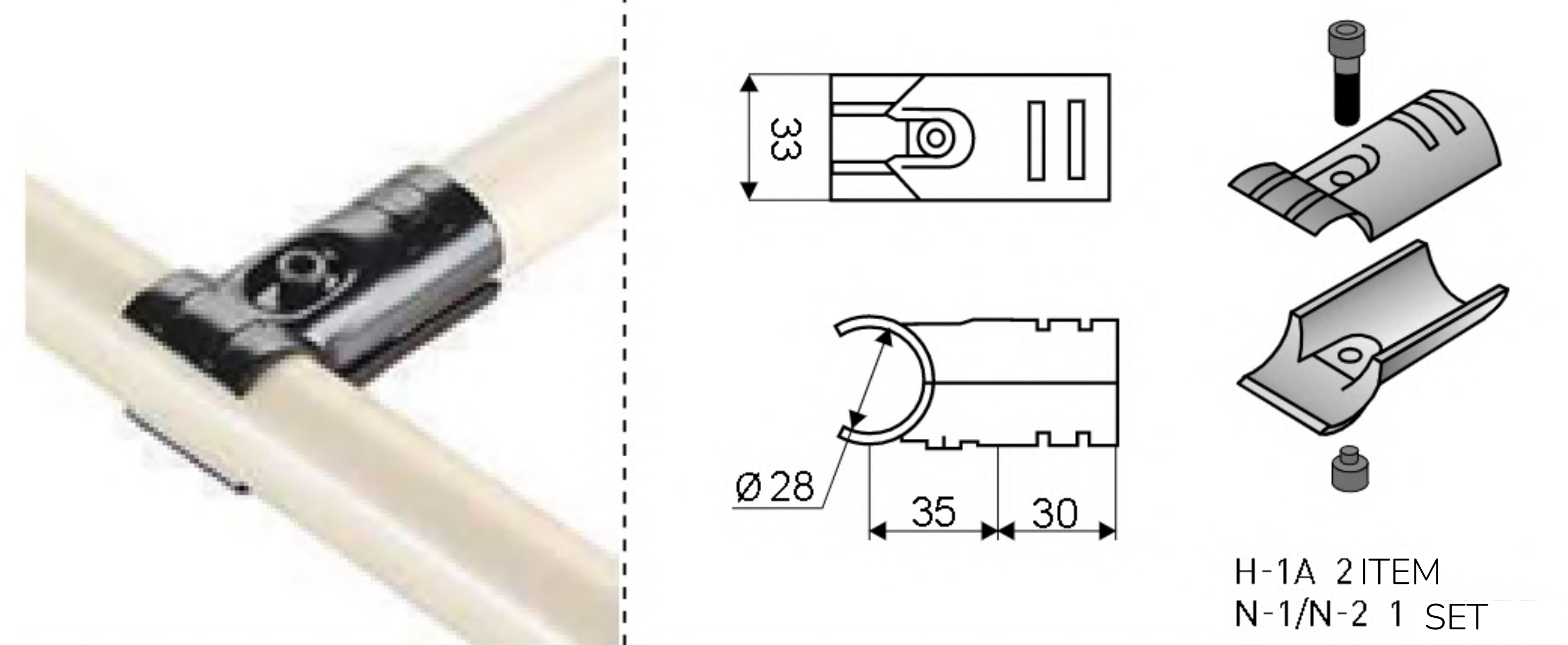
NP
NICKEL
PLATED

METAL JOINTS (SETS)

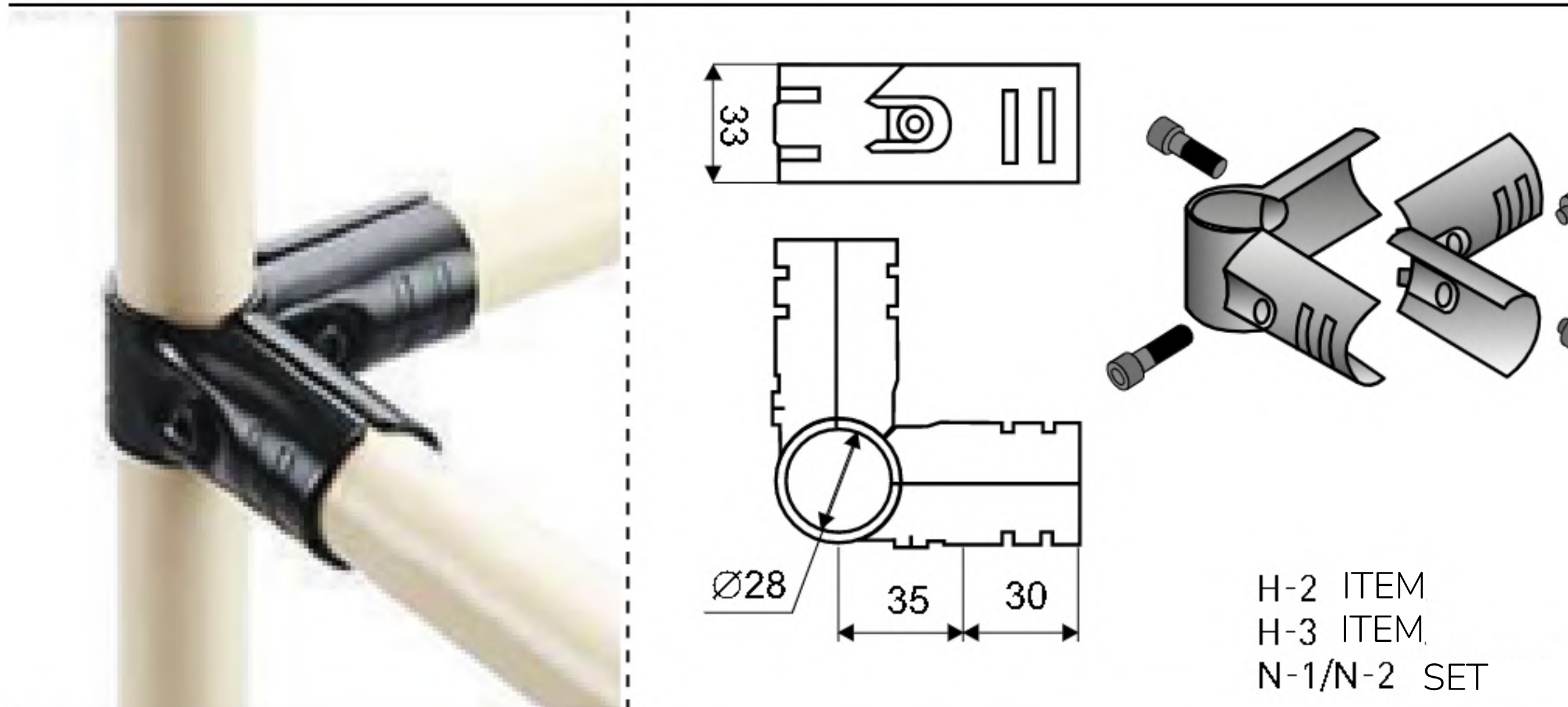
HJ-1



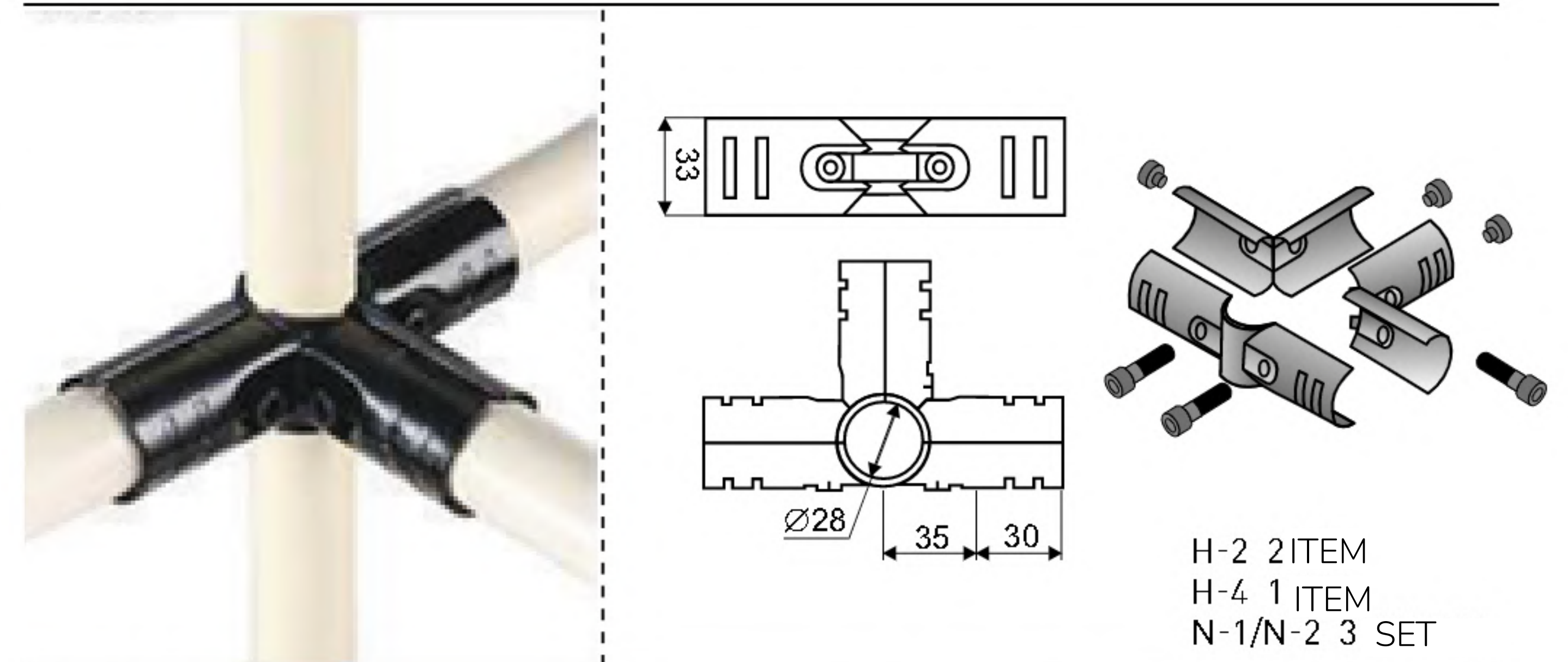
HJ-1A



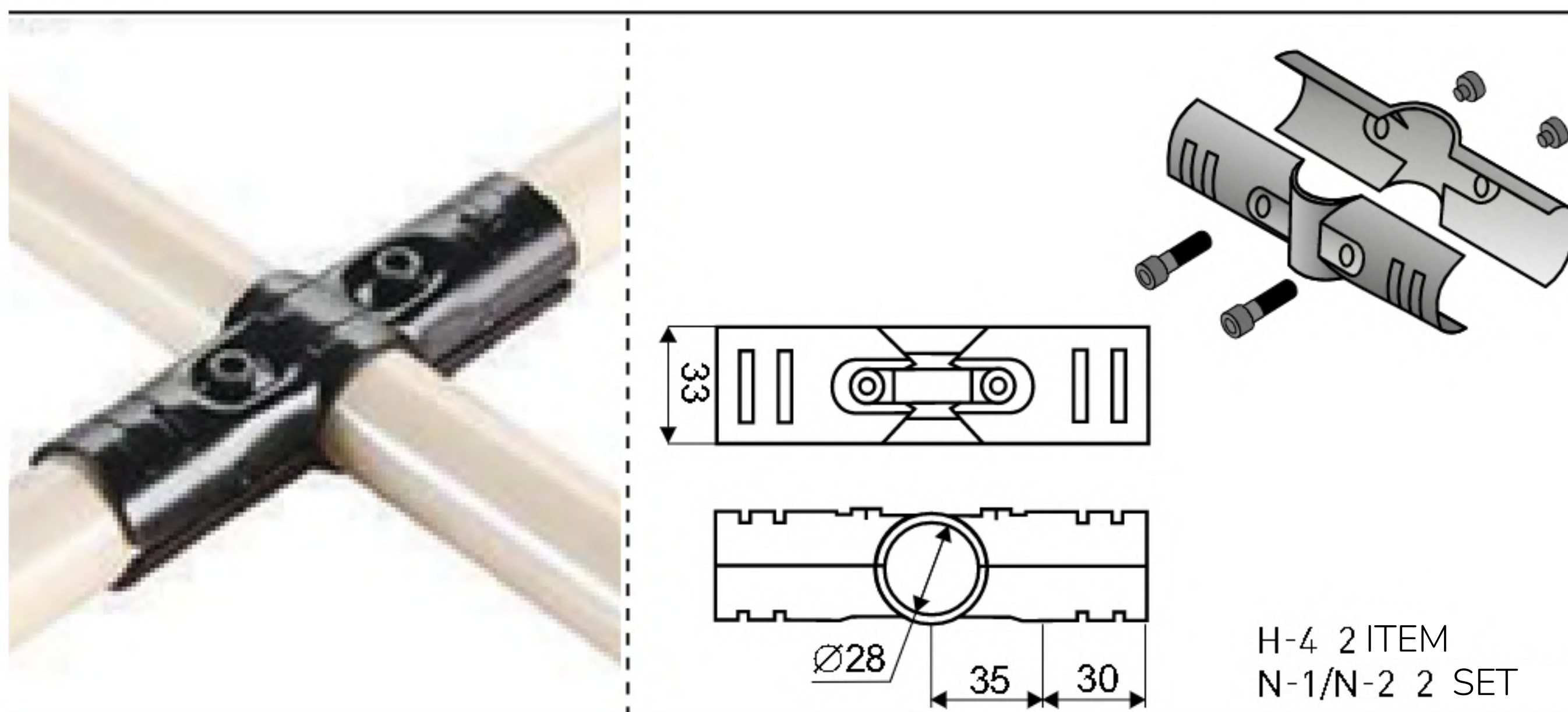
HJ-2



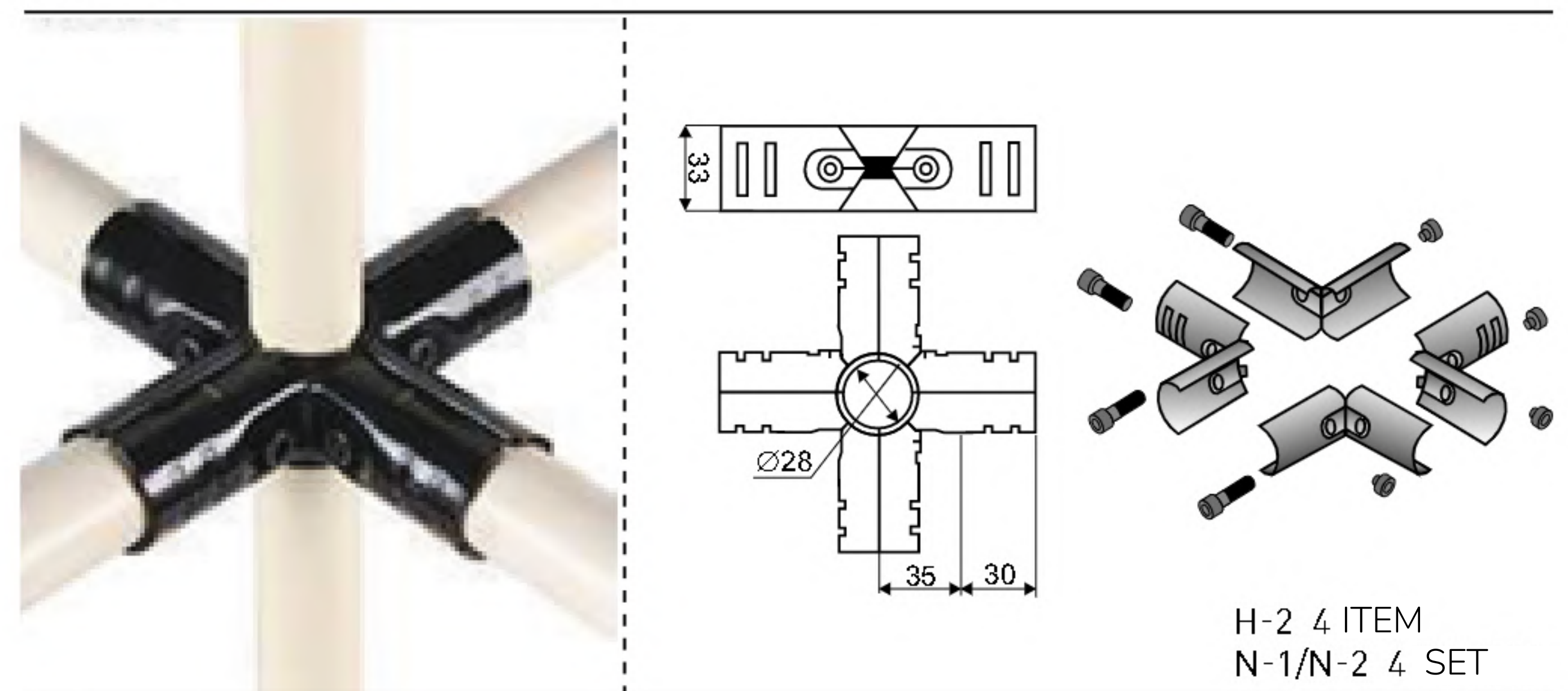
HJ-3



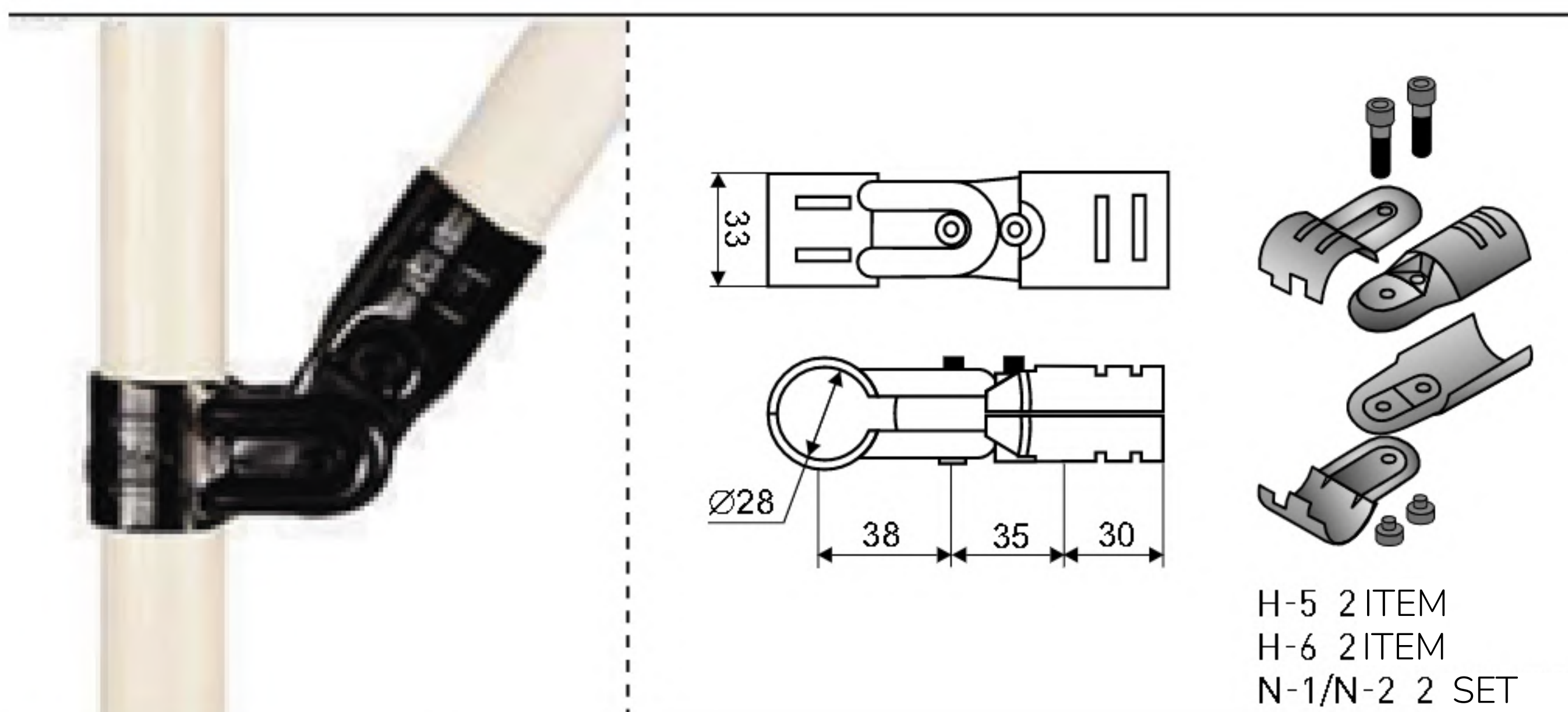
HJ-4



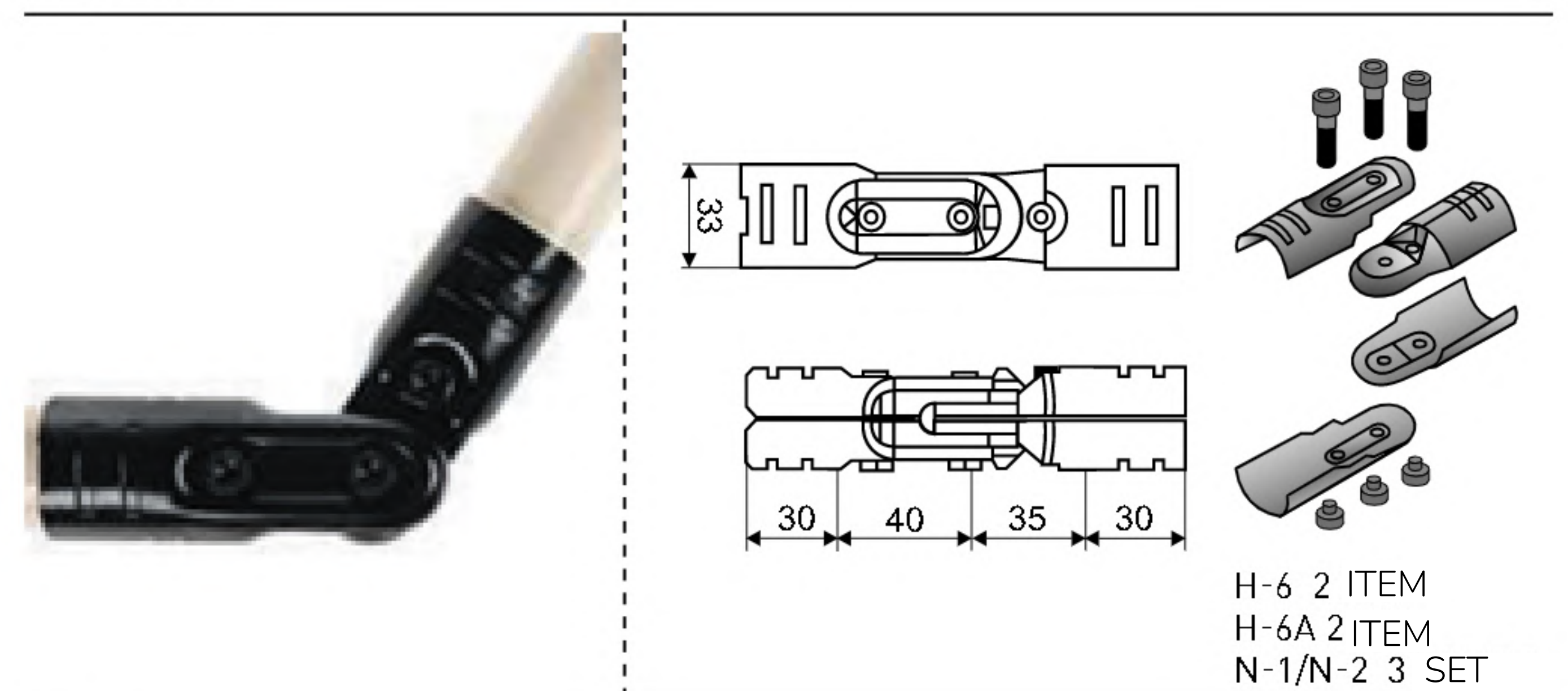
HJ-5



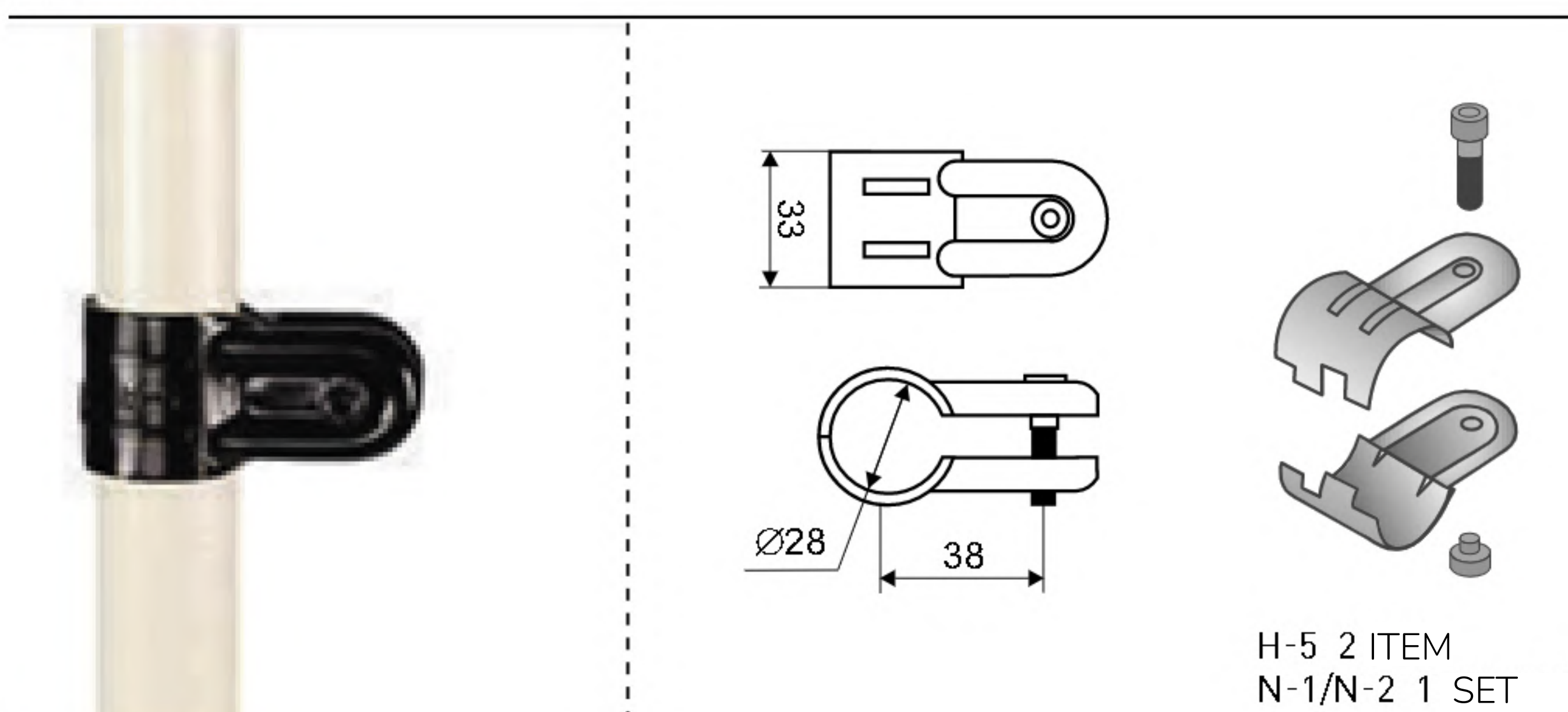
HJ-6



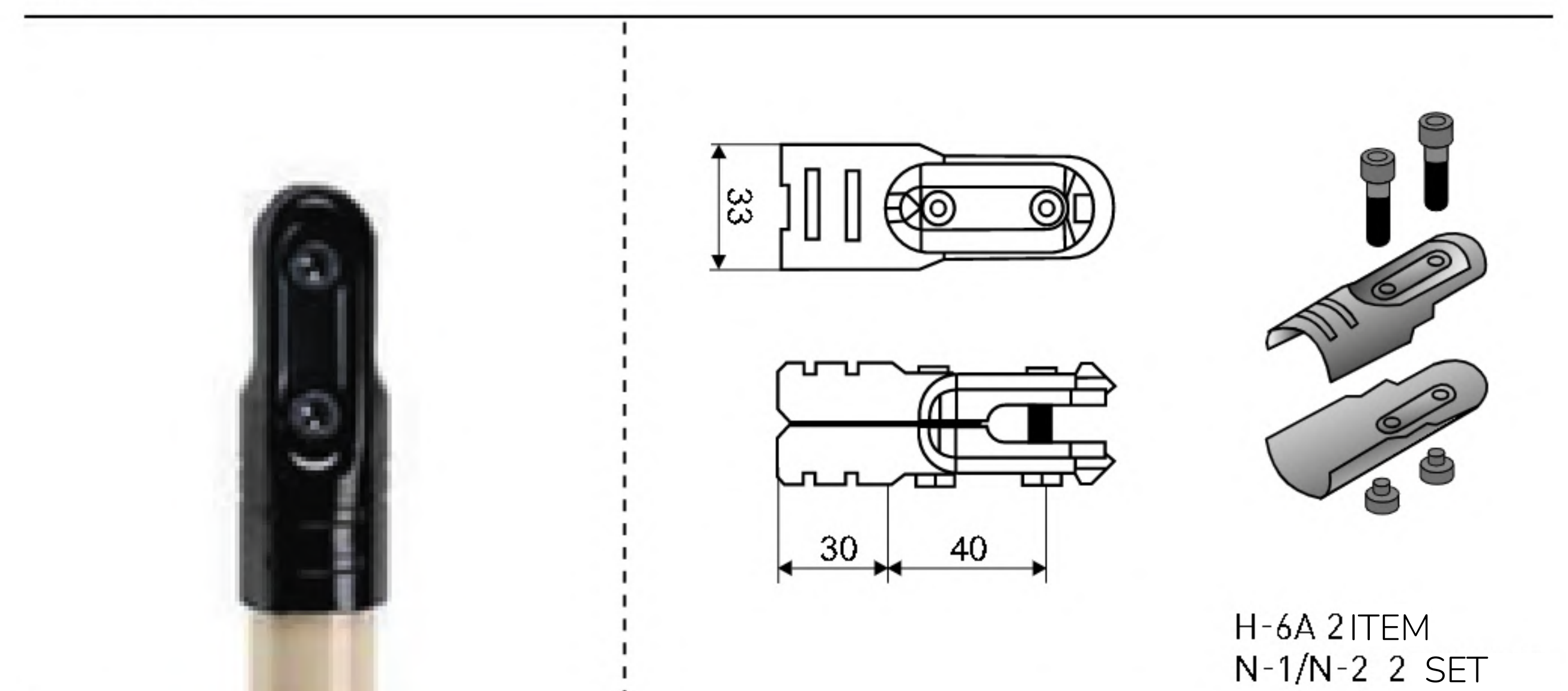
HJ-6A



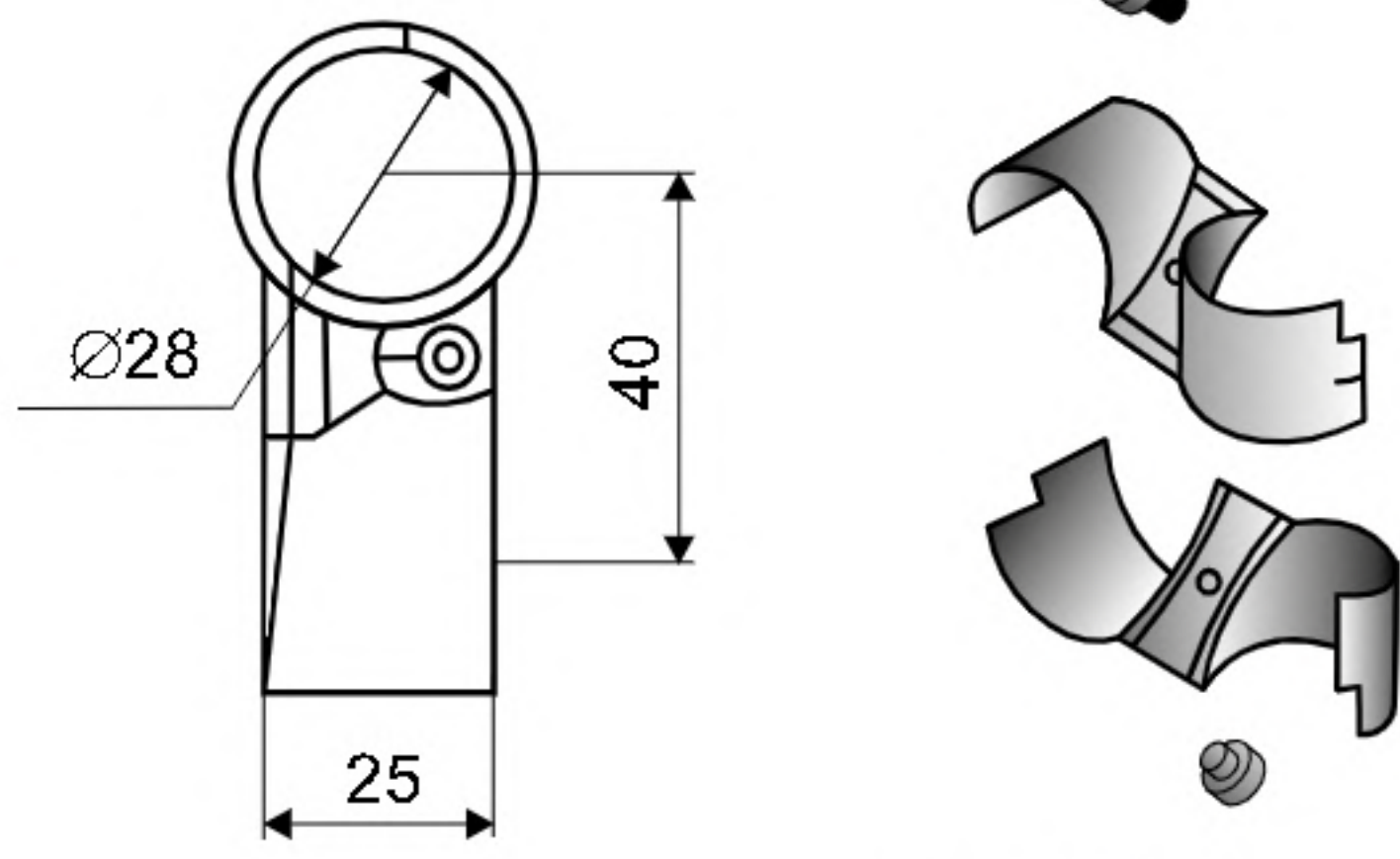
HJ-6B



HJ-6C

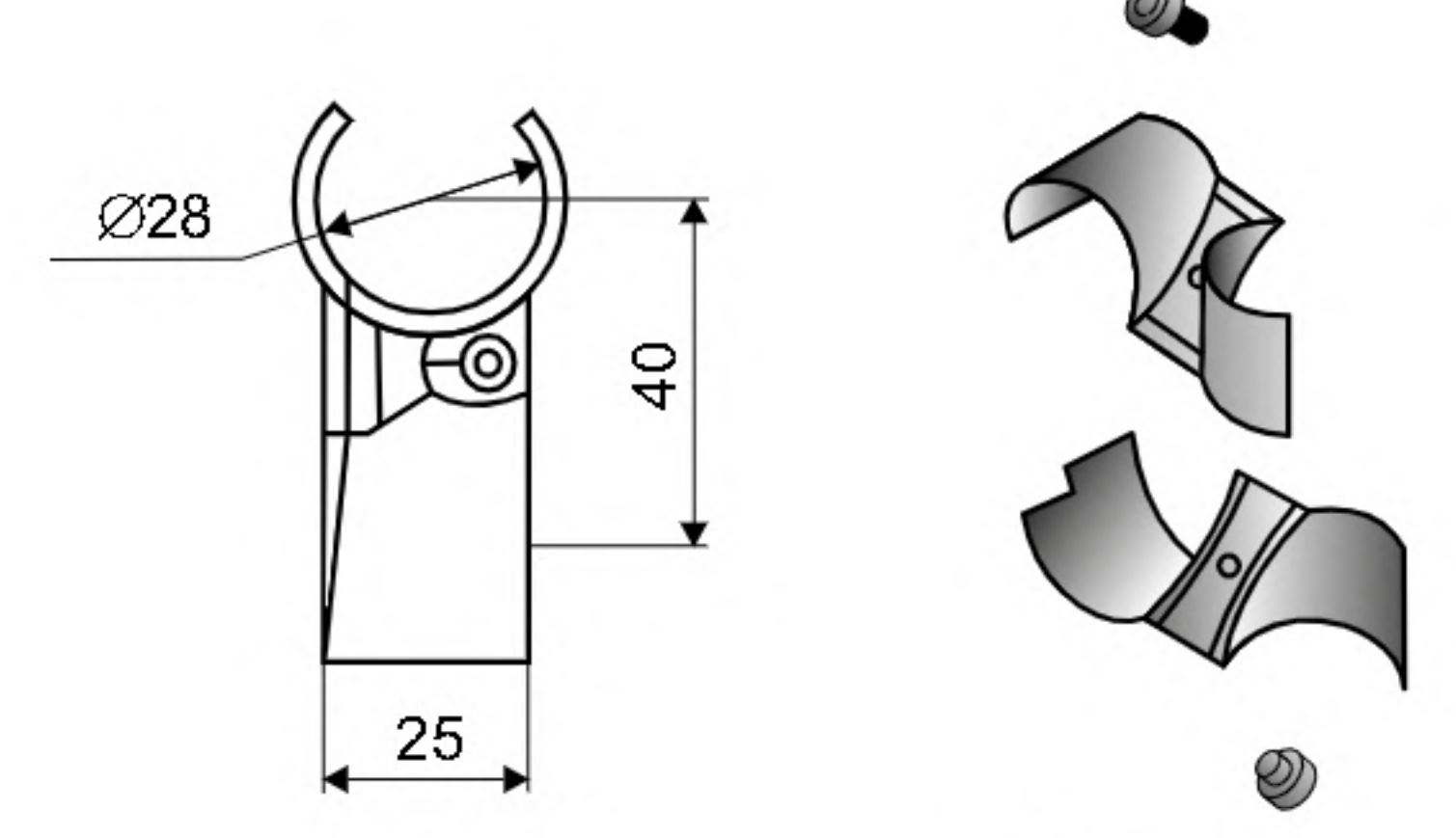


HJ-7



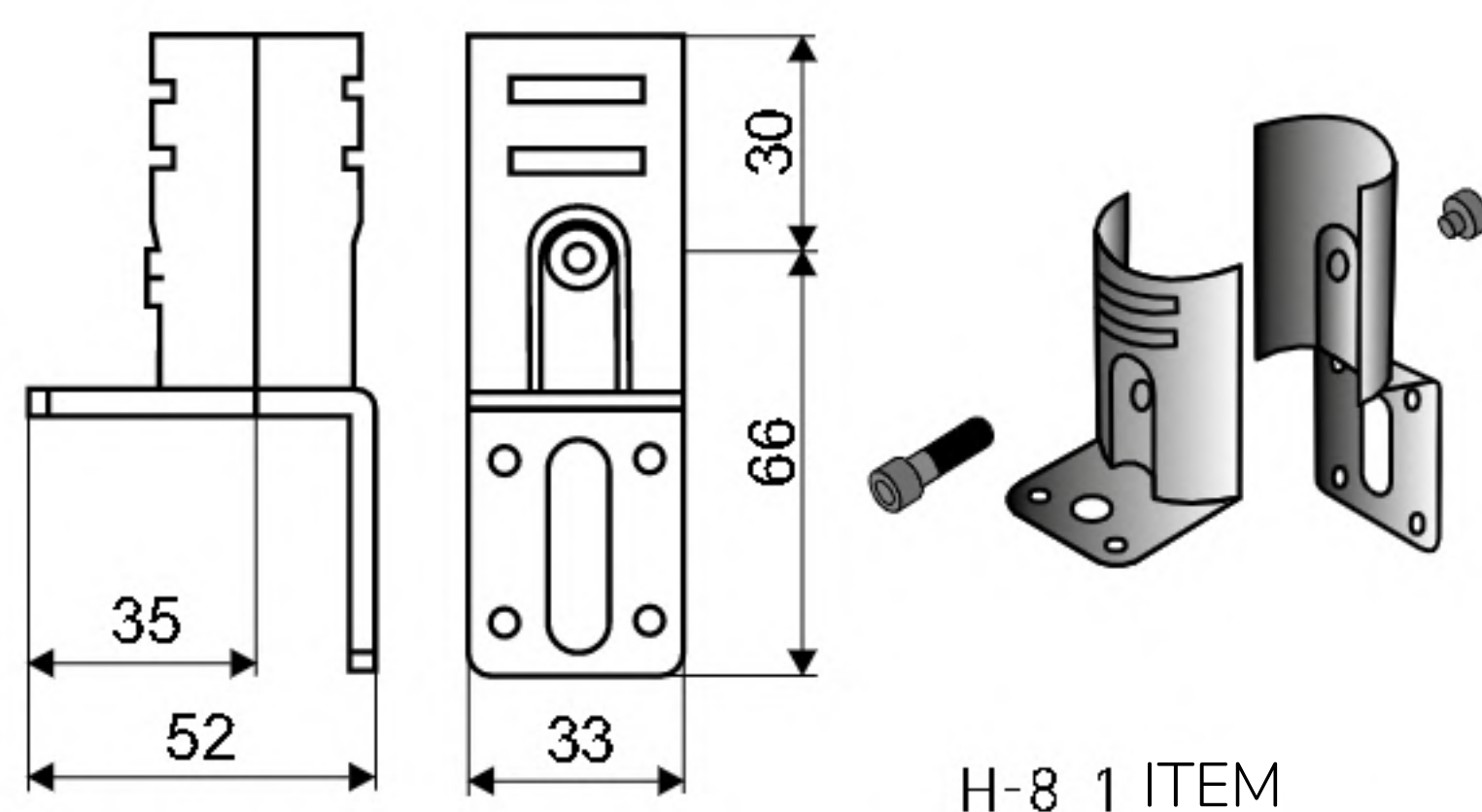
H-7 2 ITEM
N-1/N-2 1 SET

HJ-7A



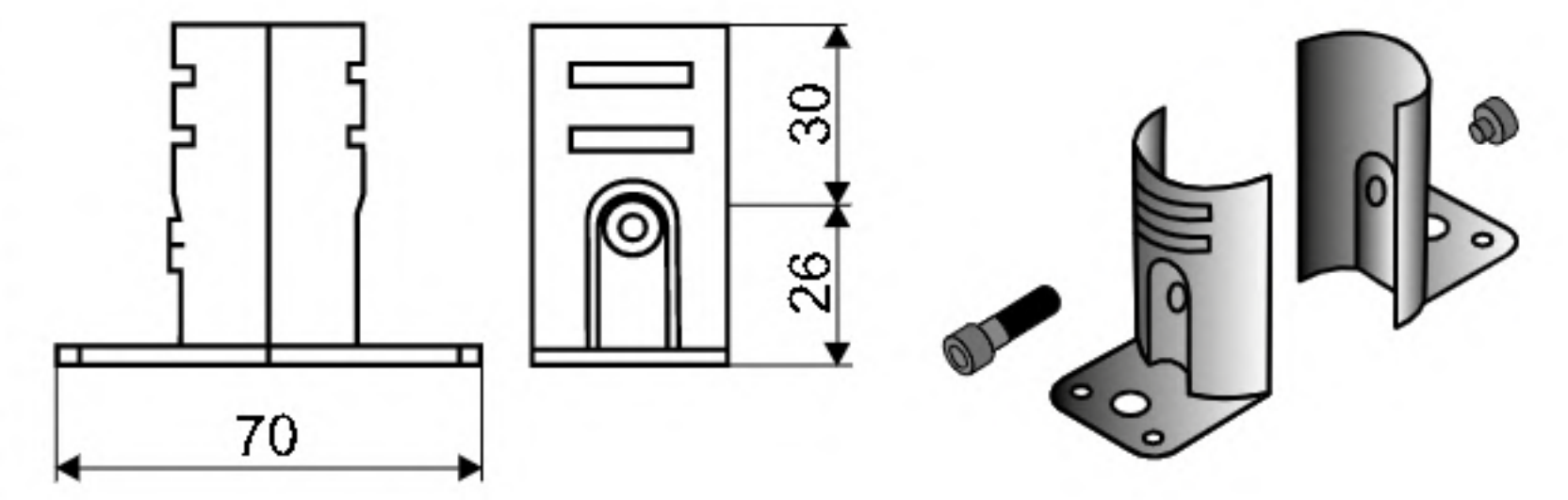
H-7A 2 ITEM
N-1/N-2 1 SET

HJ-8



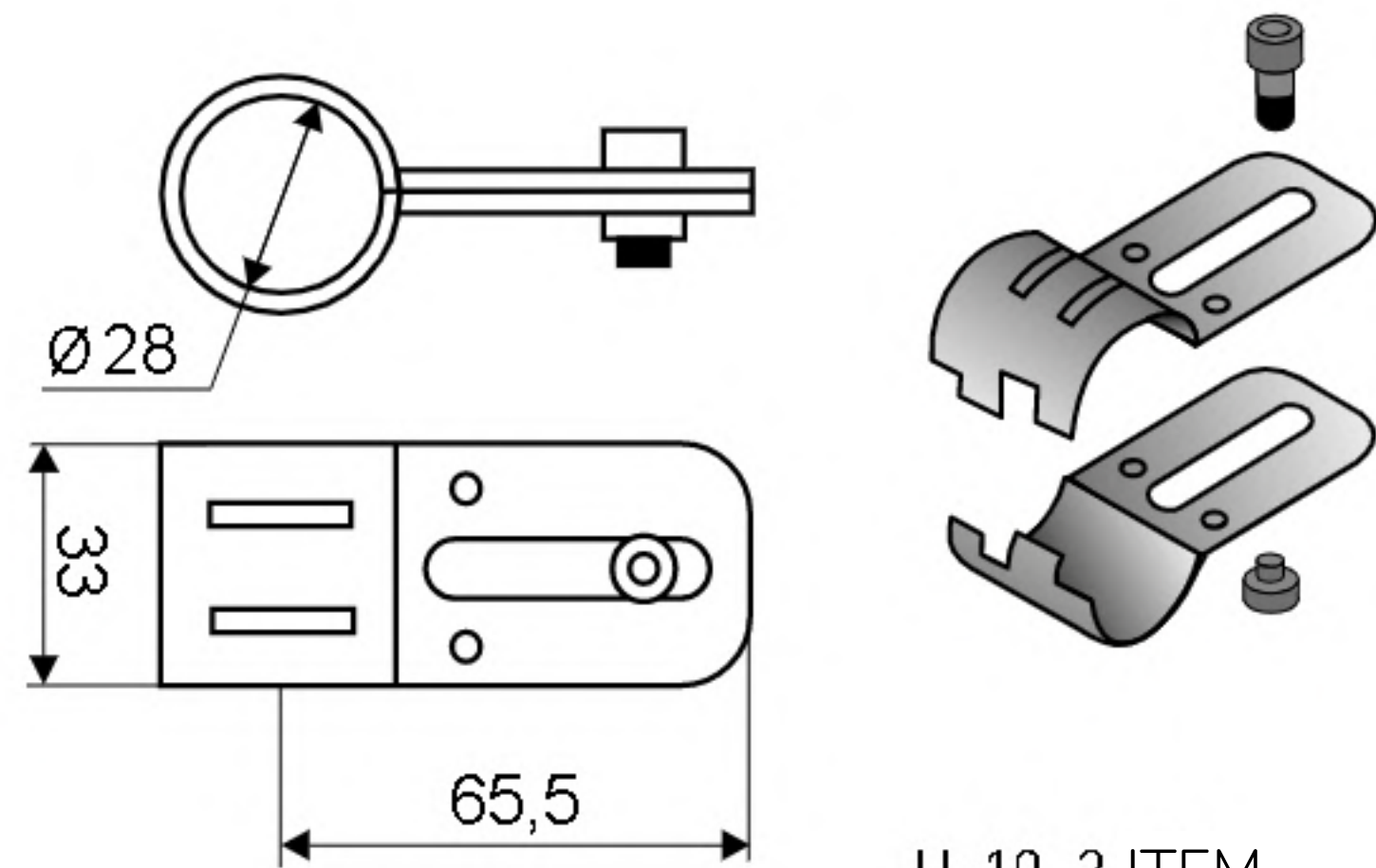
H-8 1 ITEM
H-9 1 ITEM
N-1/N-2 1 SET

HJ-9



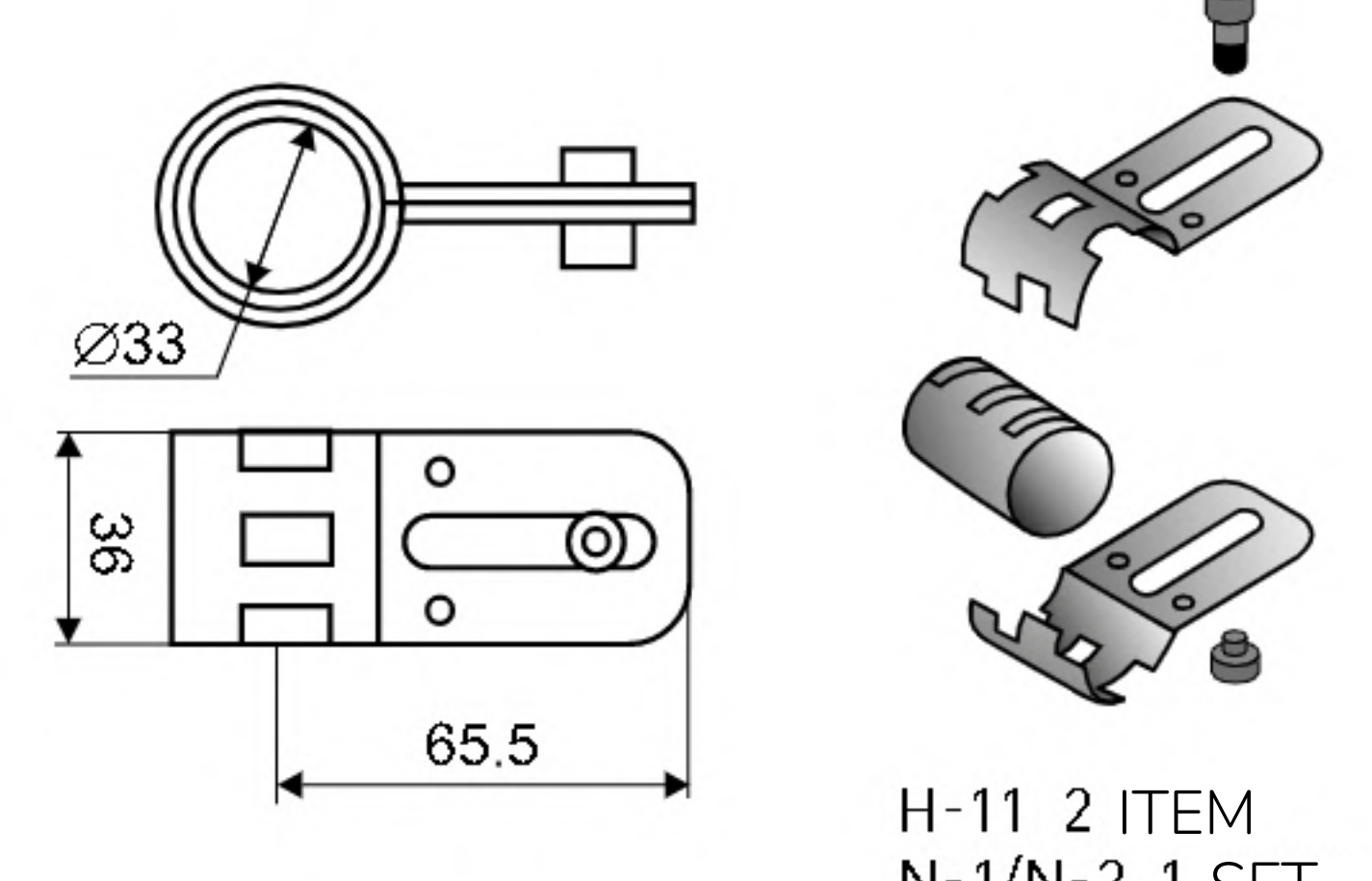
H-9 2 ITEM
N-1/N-2 1 SET

HJ-10



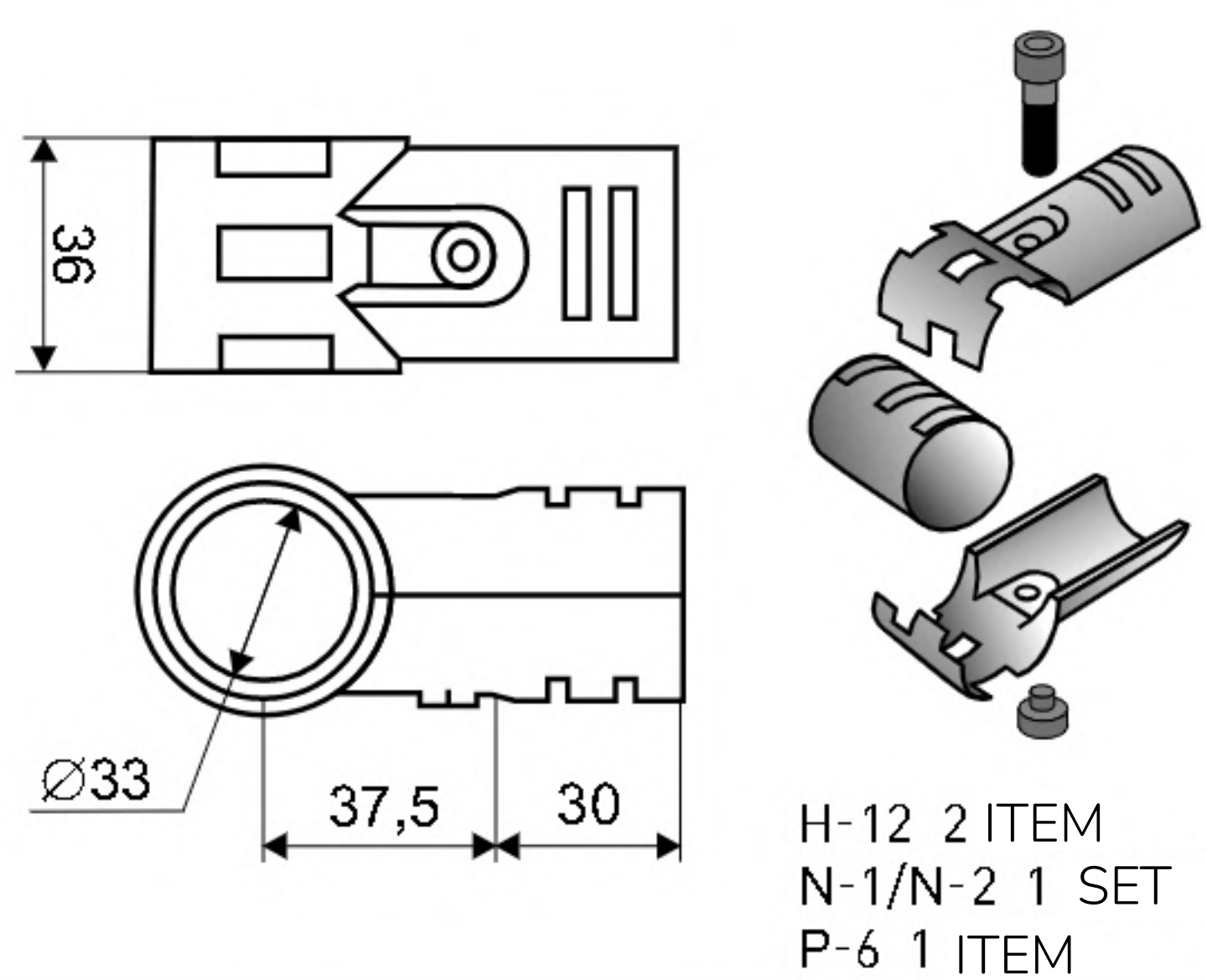
H-10 2 ITEM
N-1/N-2 1 SET

HJ-11



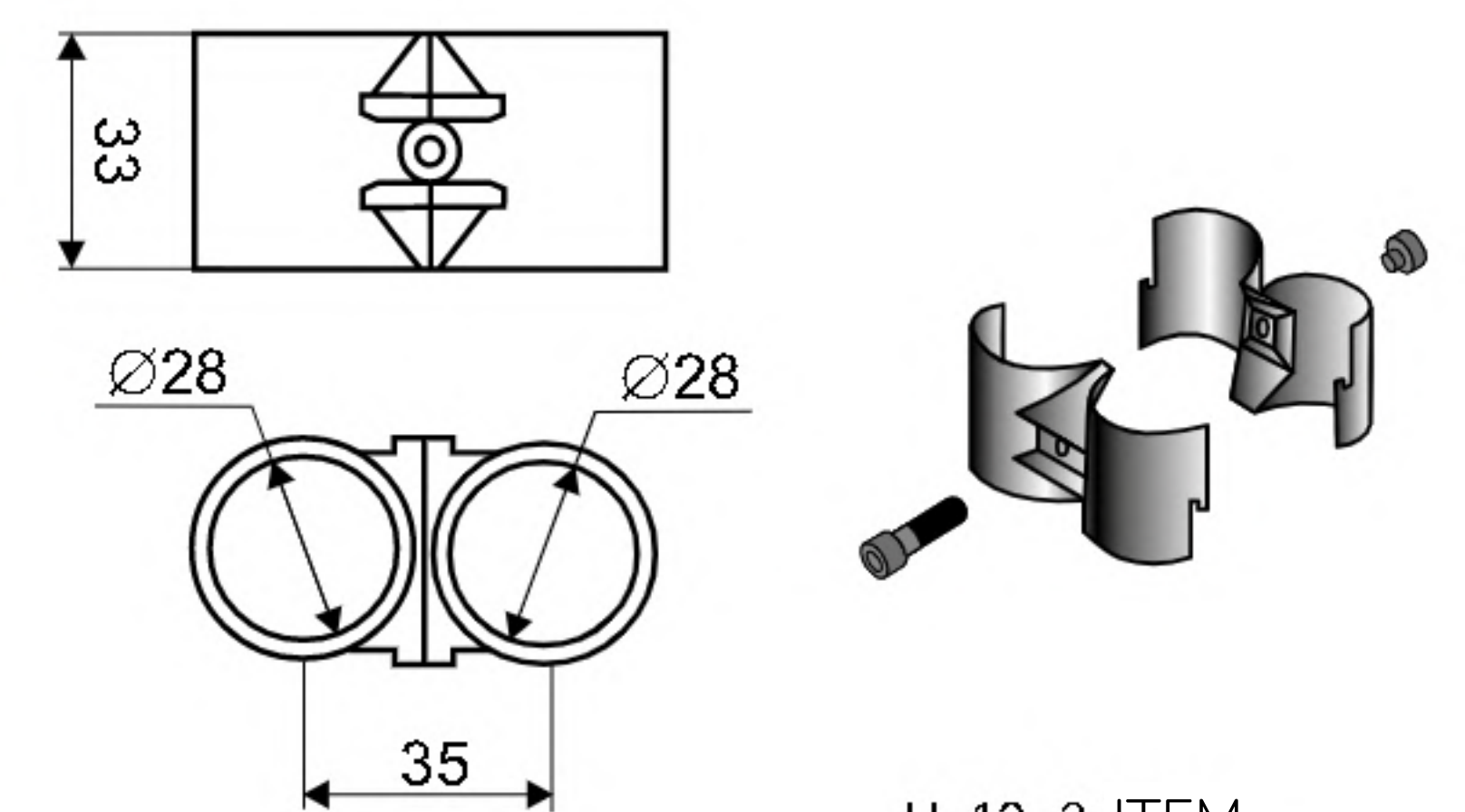
H-11 2 ITEM
N-1/N-2 1 SET
P-6 1 ITEM

HJ-12



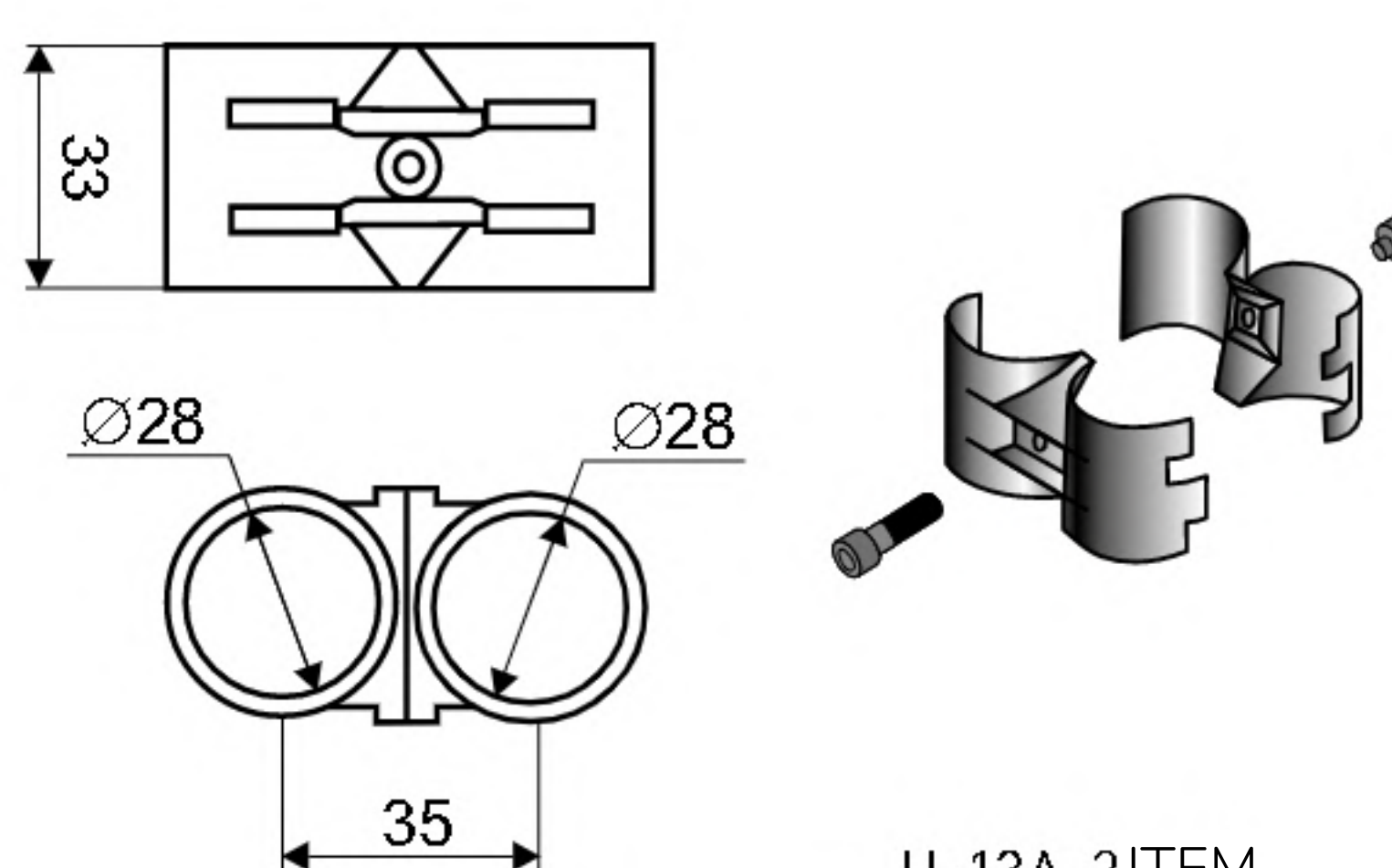
H-12 2 ITEM
N-1/N-2 1 SET
P-6 1 ITEM

HJ-13



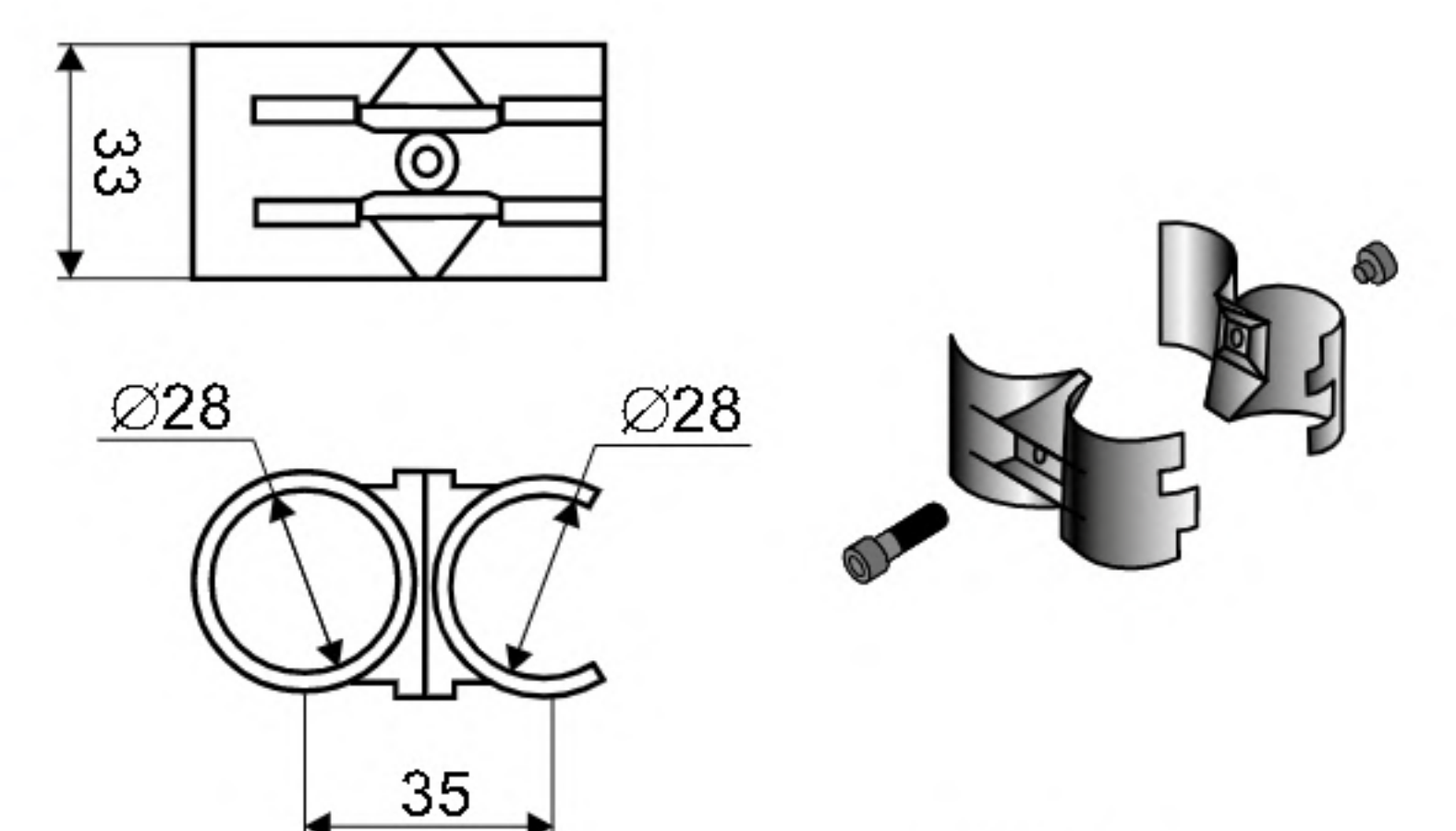
H-13 2 ITEM
N-1/N-2 1 SET

HJ-13A



H-13A 2 ITEM
N-1/N-2 1 SET

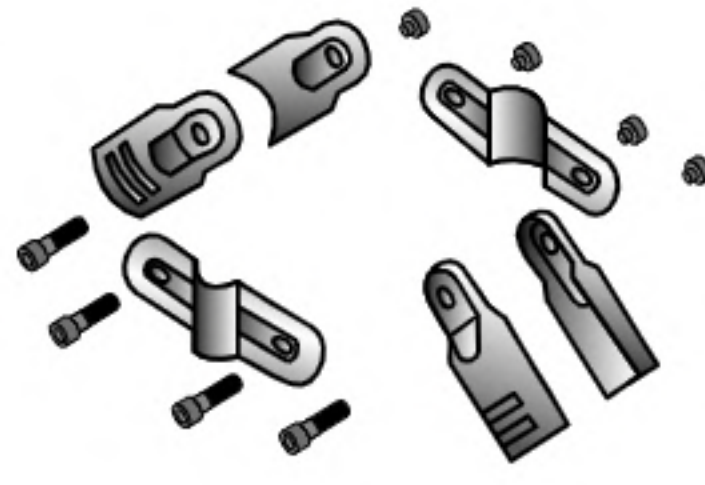
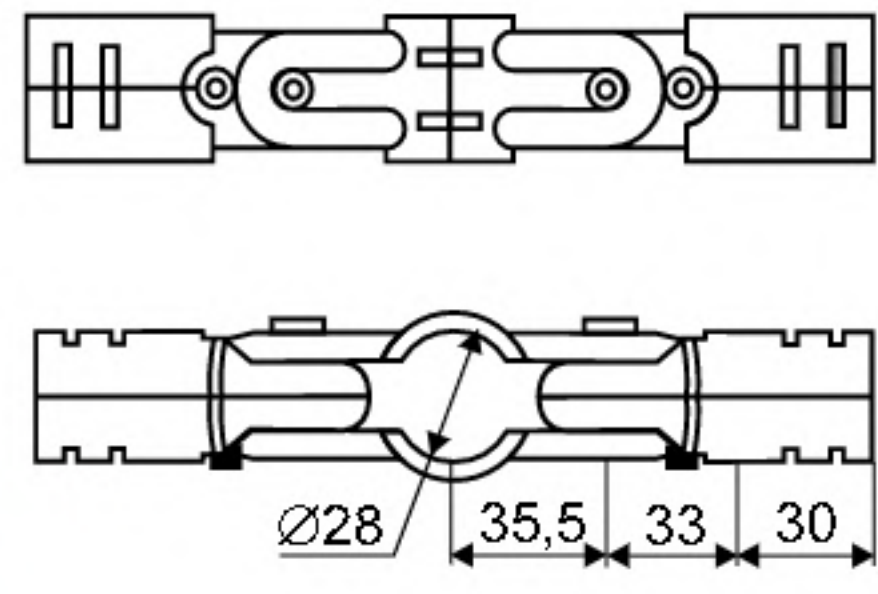
HJ-13B



H-13B 2 ITEM
N-1/N-2 1 SET

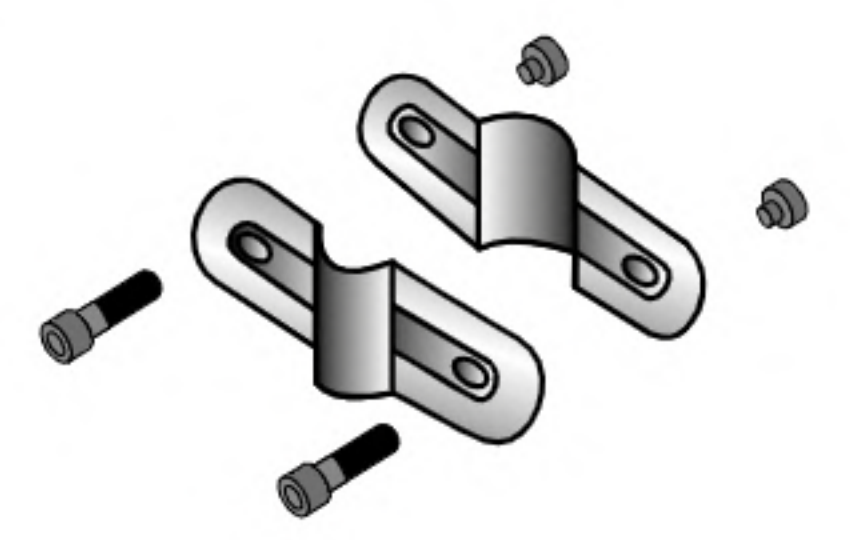
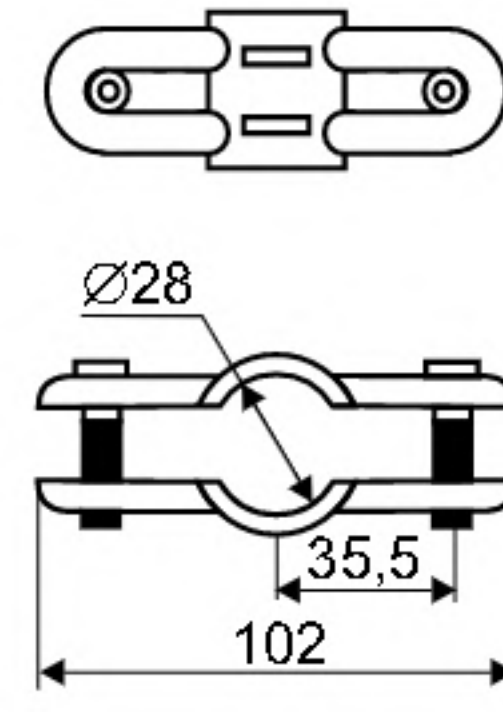
METAL JOINTS (SETS)

HJ-14



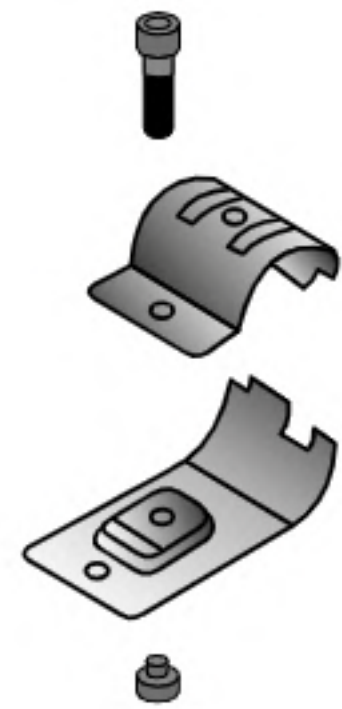
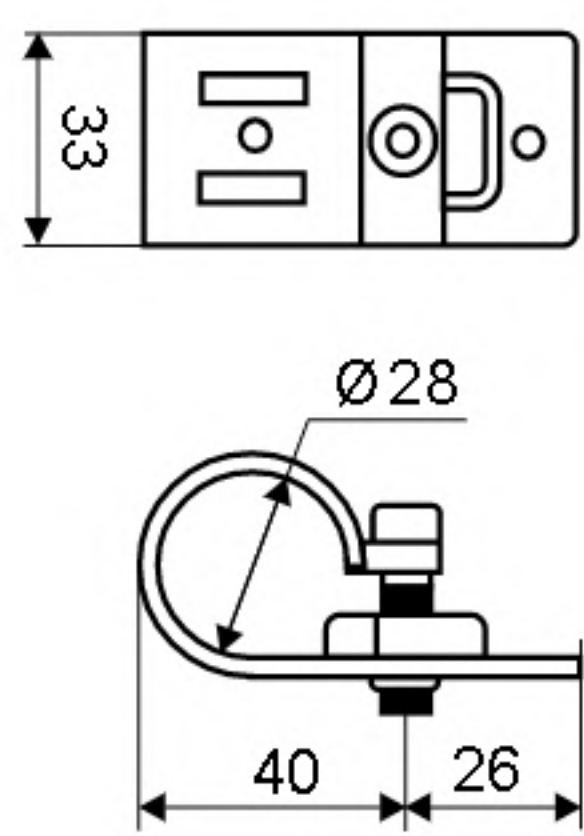
H-14 2 ITEM
H-6 4 ITEM
N-1/N-2 4 SET

HJ-14A



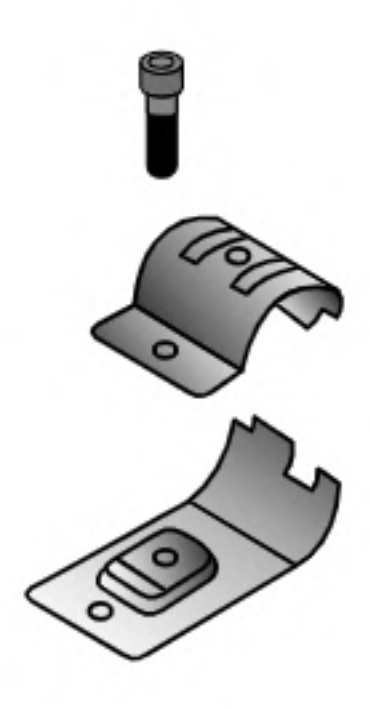
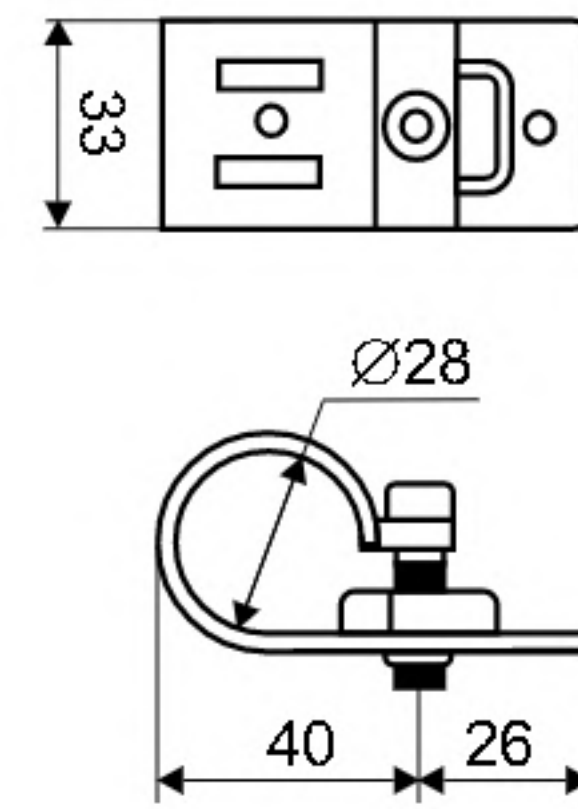
H-14 2 ITEM
N-1/N-2 2 SET

HJ-15



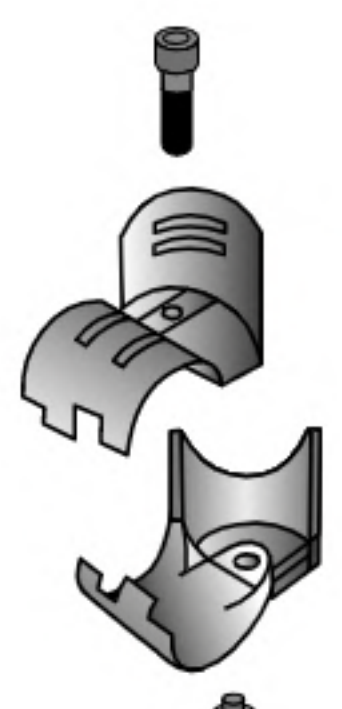
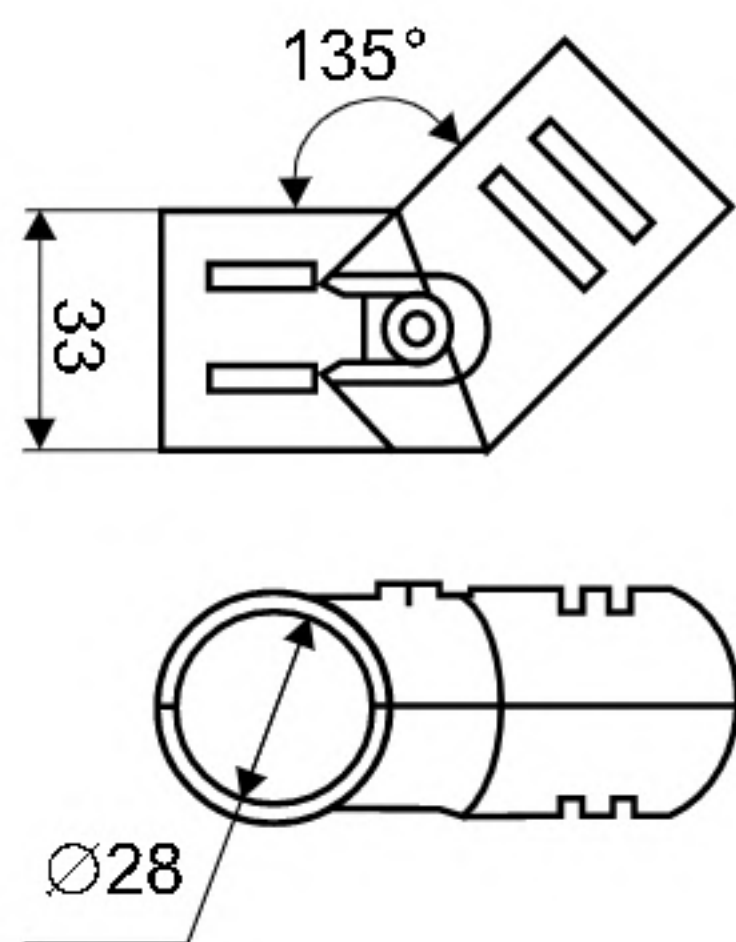
H-15 1 ITEM
H-16 1 ITEM
N-1/N-2 1 SET

HJ-15A



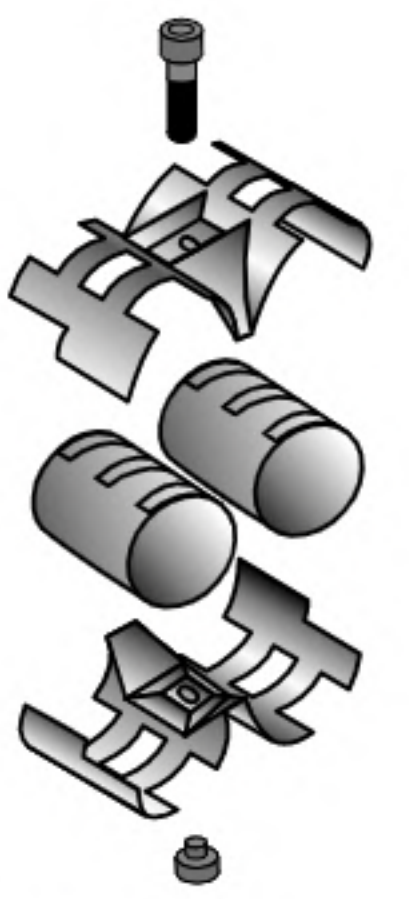
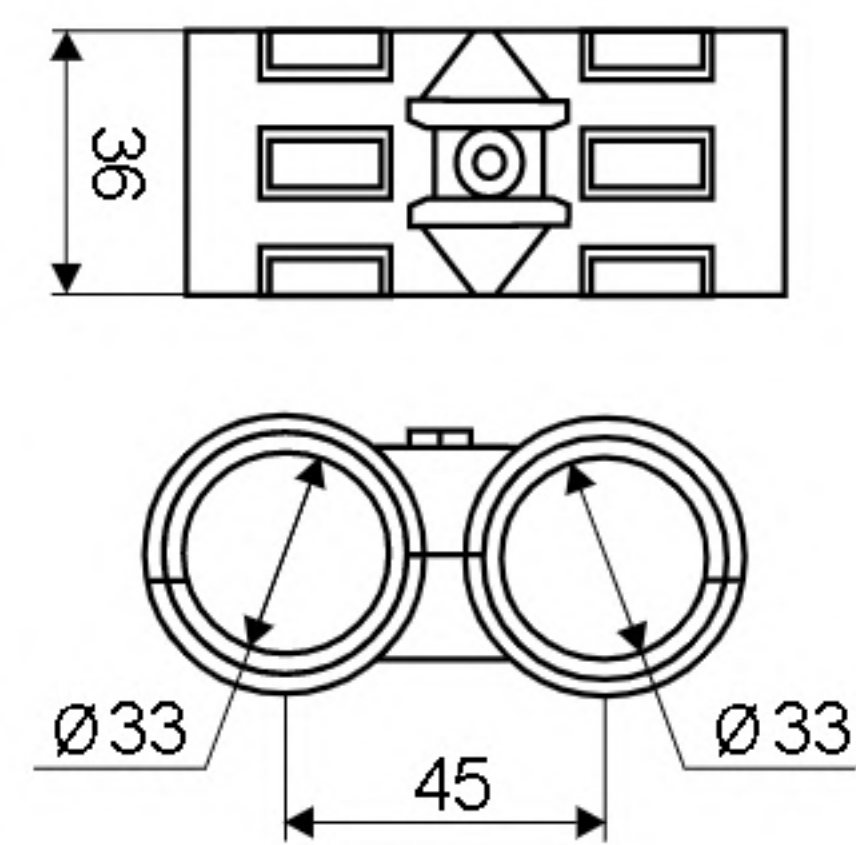
H-15 1 ITEM
H-16A 1 ITEM
N-2 1 SET

HJ-17



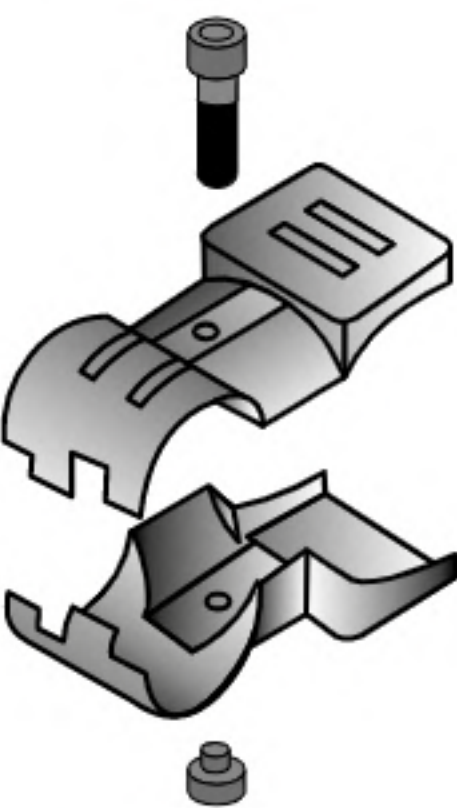
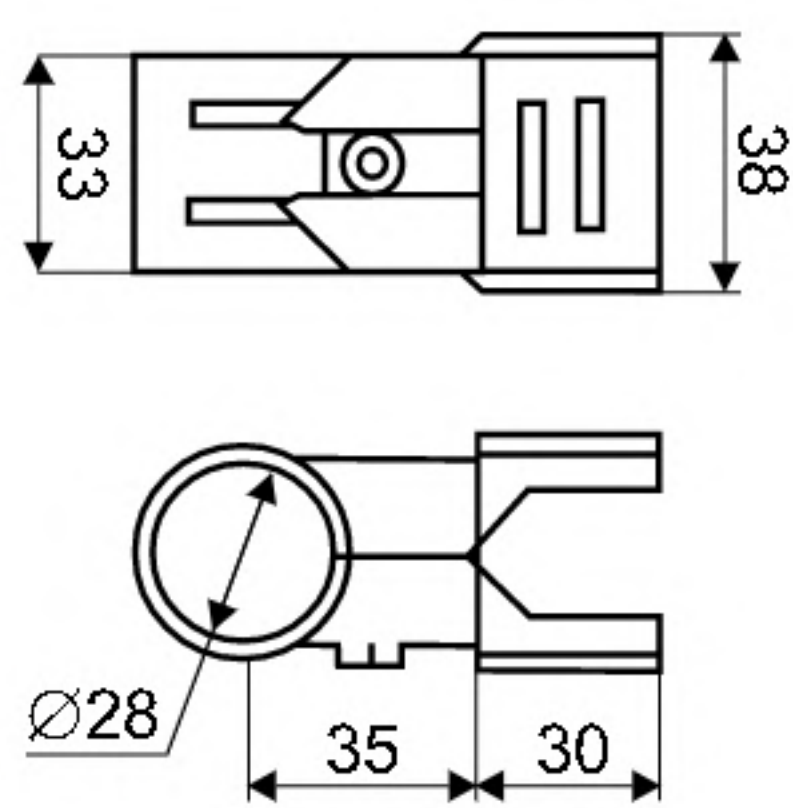
H-17 1 ITEM
H-18 1 ITEM
N-1/N-2 1 SET

HJ-19



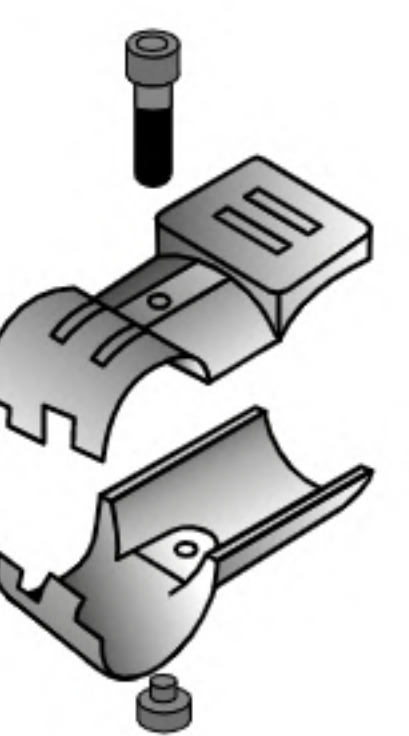
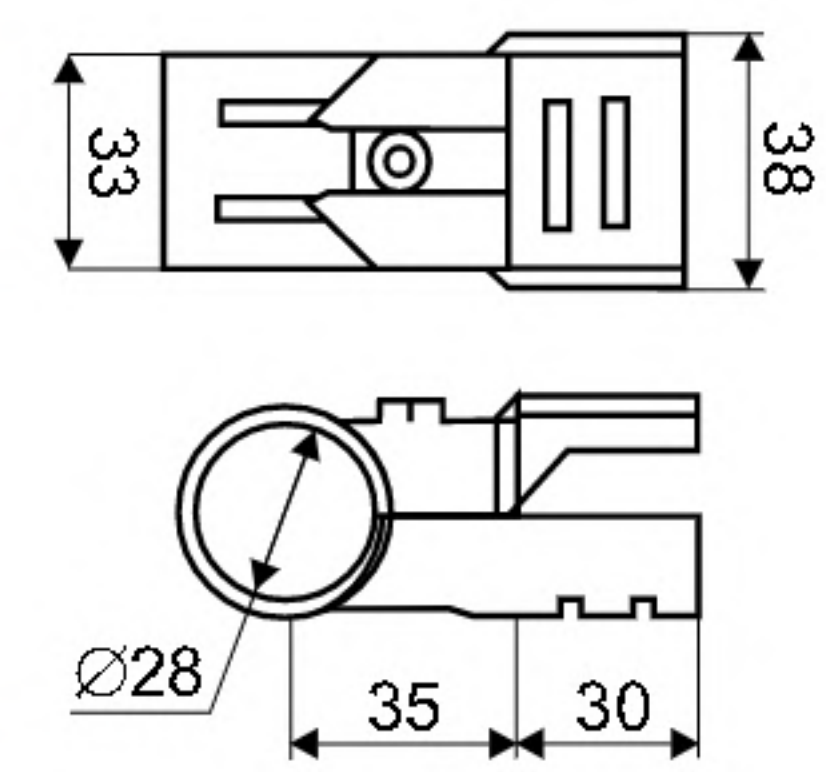
H-19 2 ITEM
N-1/N-2 1 SET
P-6 2 ITEM

HJ-20



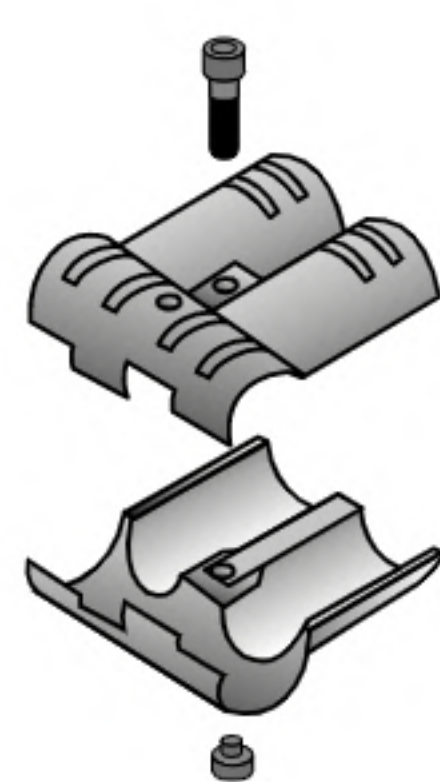
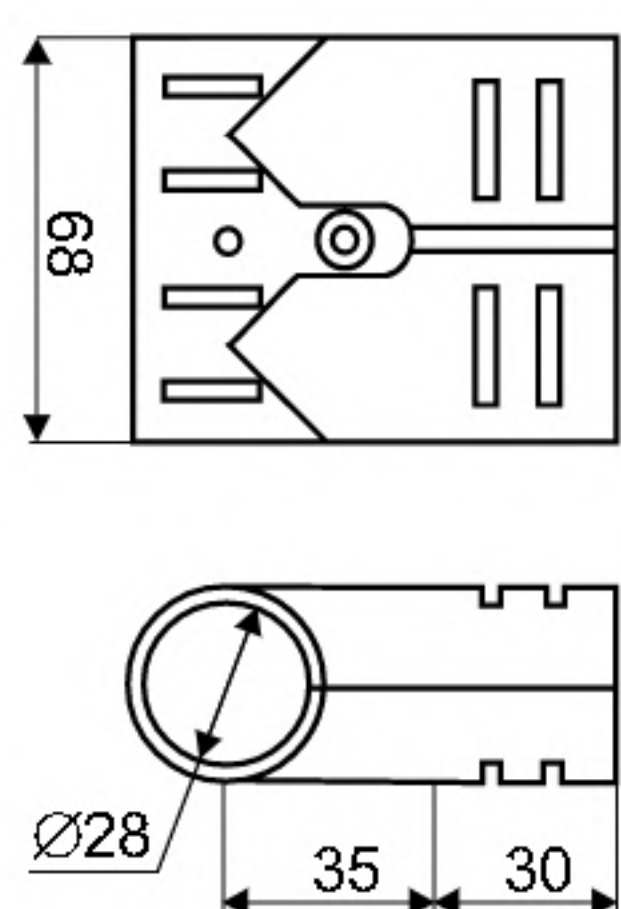
H-20 2 ITEM
N-1/N-2 1 SET

HJ-20A



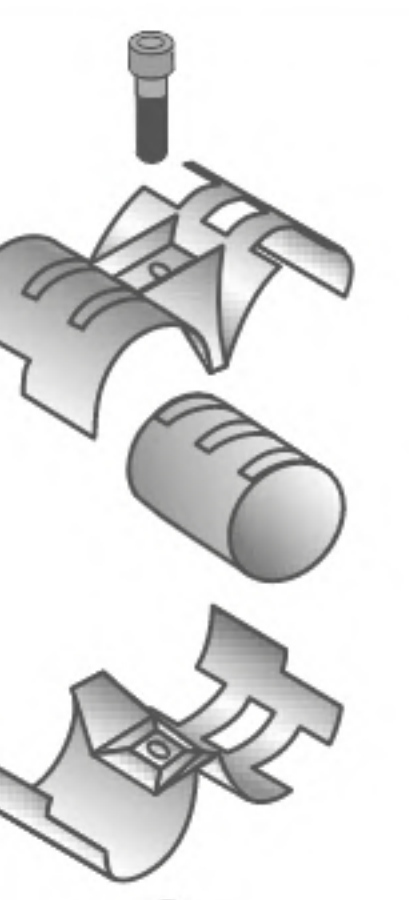
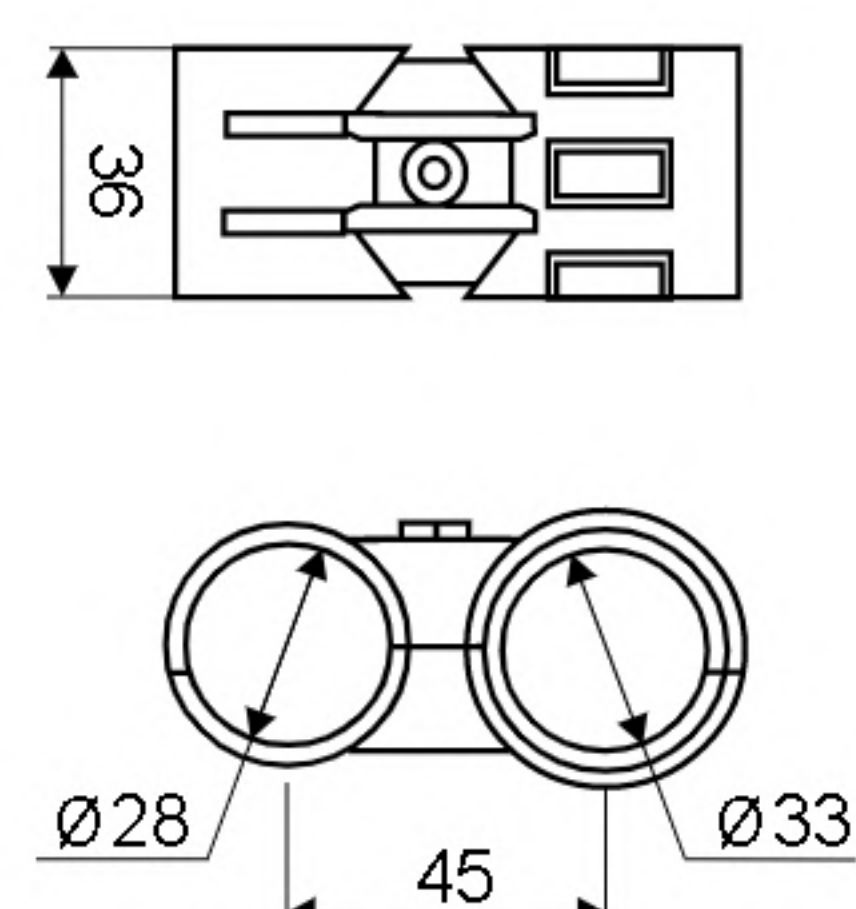
H-20 1 ITEM
H-1 1 ITEM
N-1/N-2 1 SET

HJ-21



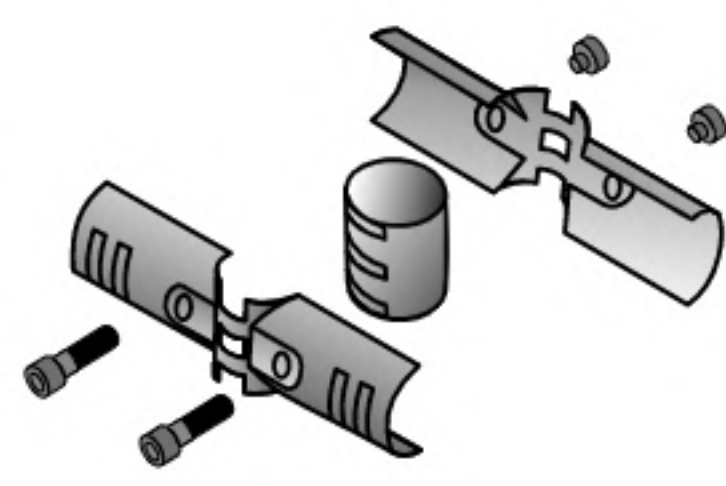
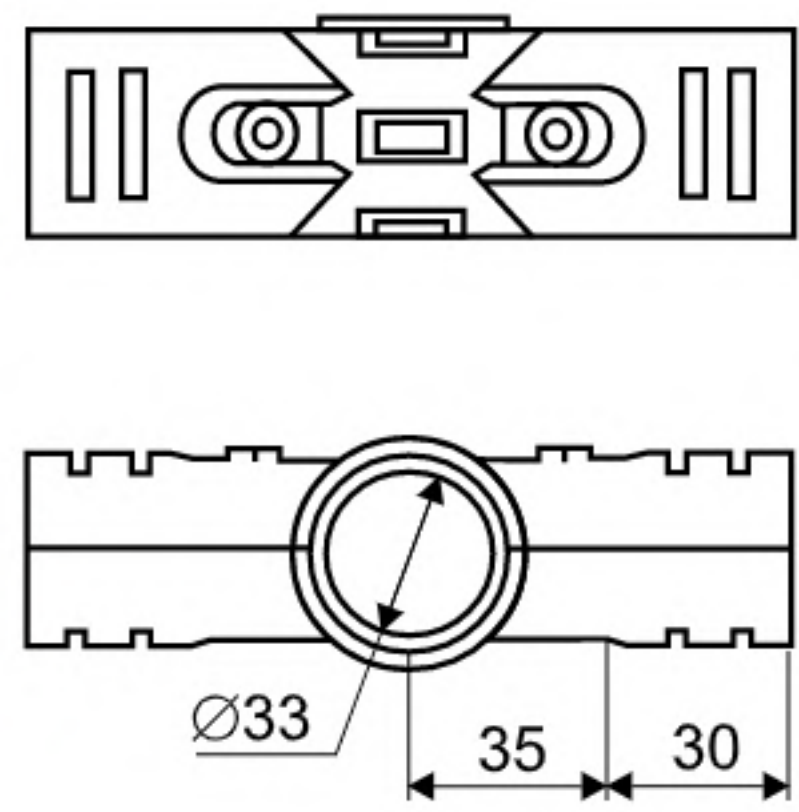
H-21 2 ITEM
N-1/N-2 1 SET

HJ-23



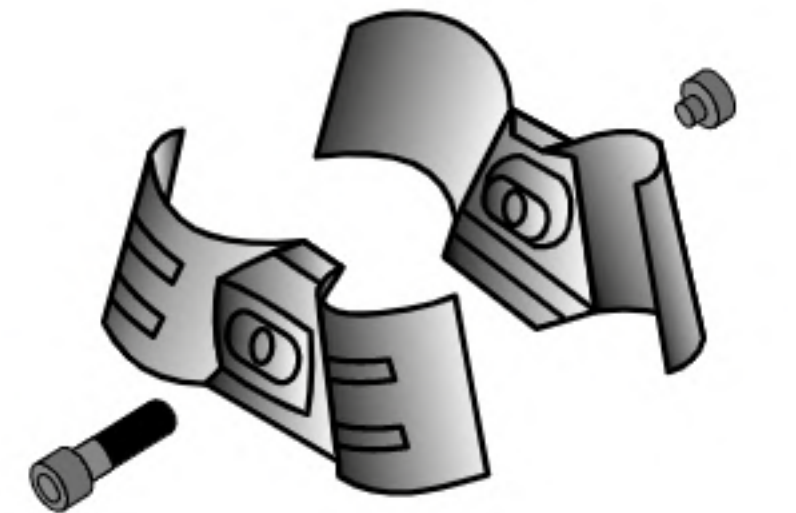
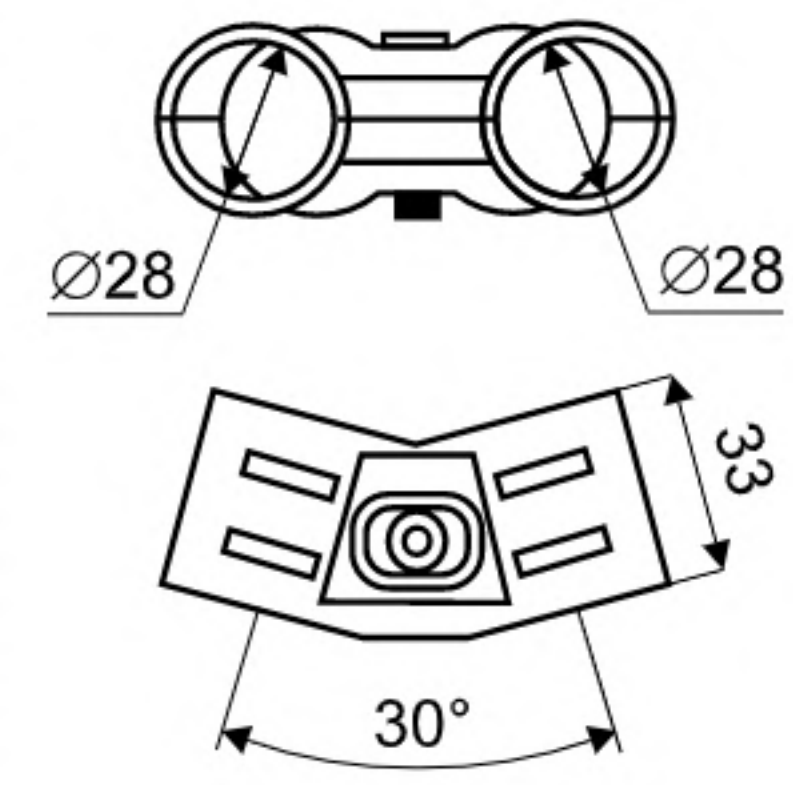
H-23 2 ITEM
N-1/N-2 1 SET
P-6 1 ITEM

HJ-24



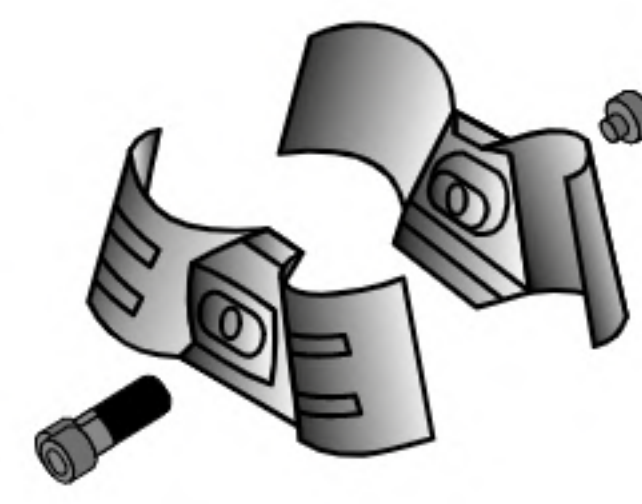
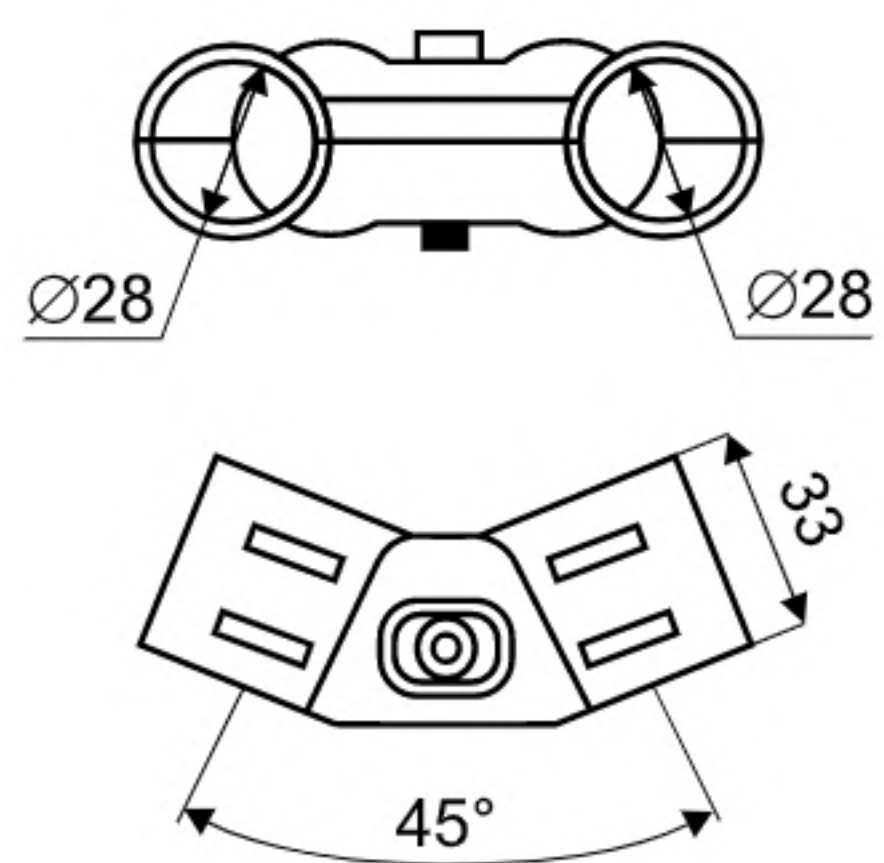
H-24 2 ITEM
N-1/N-2 2 SET
P-6 1 ITEM

HJ-30



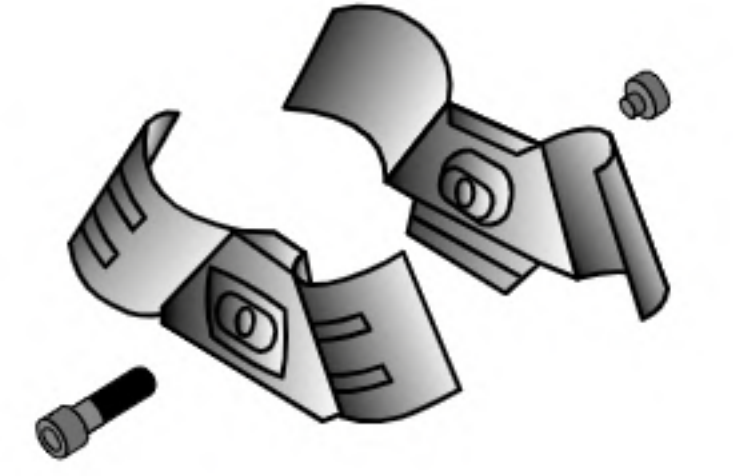
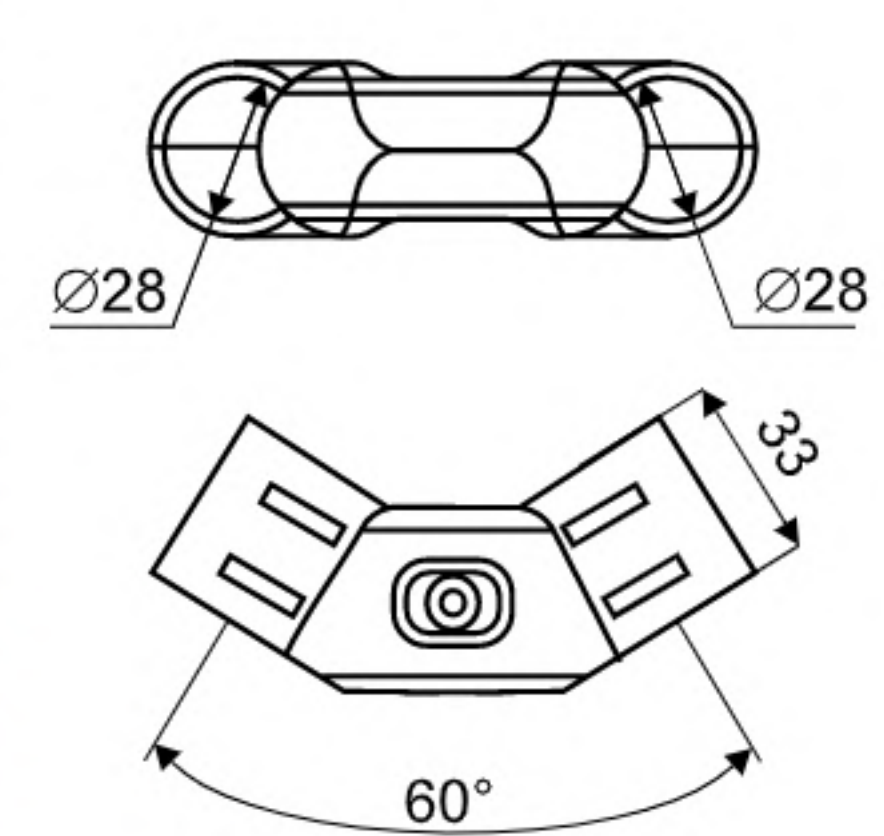
H-30 ITEM
N-1/N-2 1 SET

HJ-45



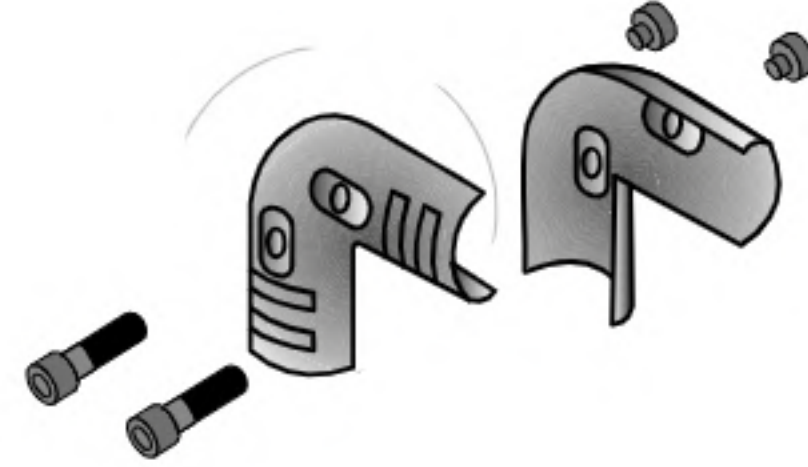
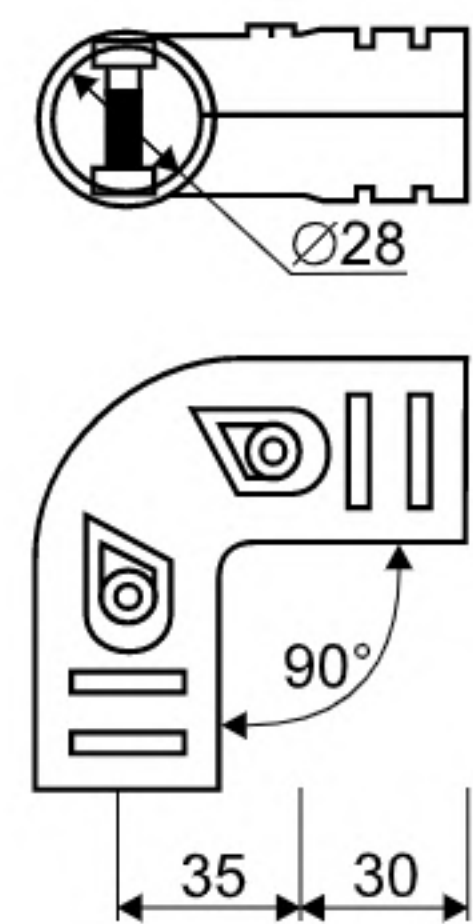
H-45 2 ITEM
N-1/N-2 1 SET

HJ-60



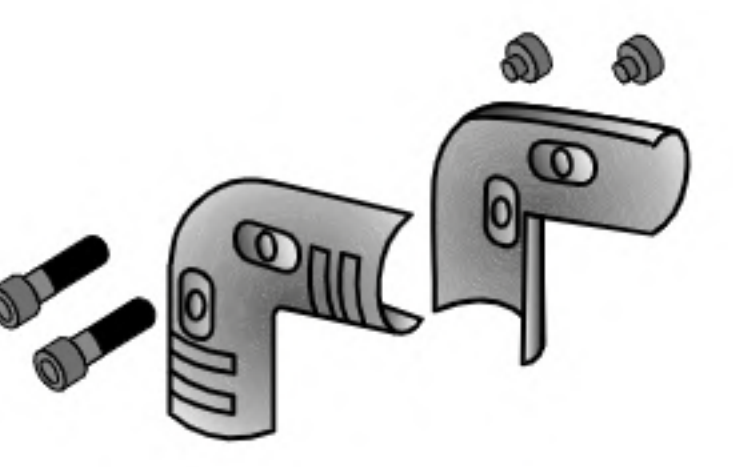
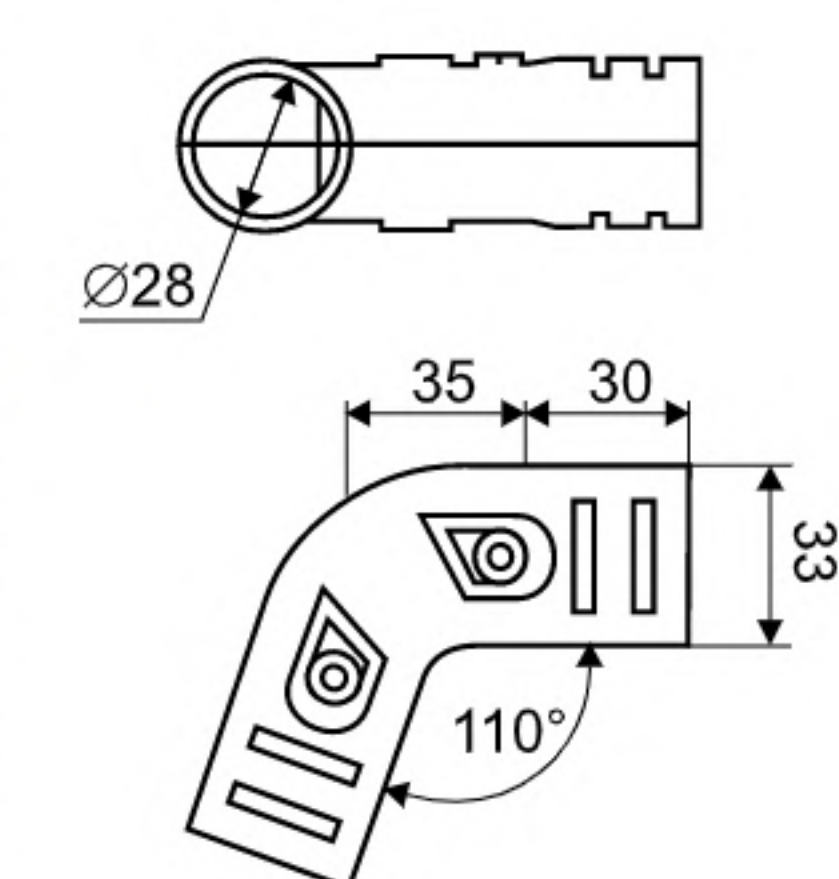
H-60 ITEM
N-1/N-2 1 SET

HJ-90



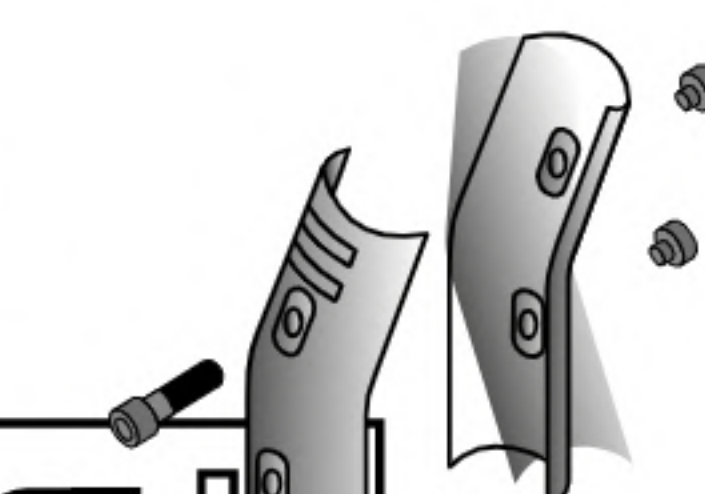
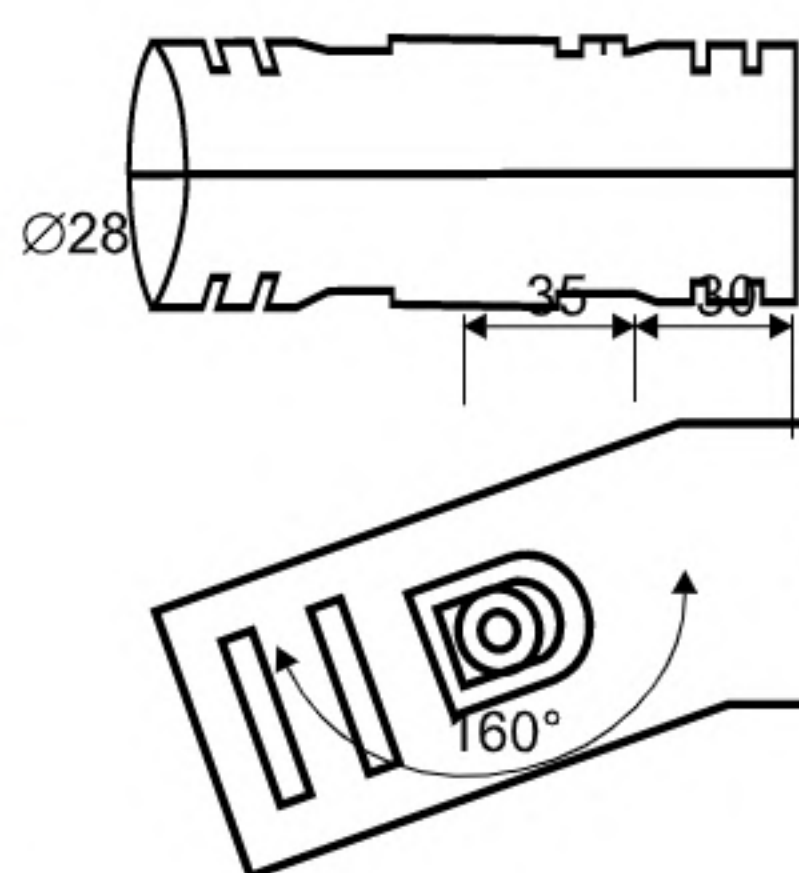
H-90 2 ITEM
N-1/N-2 2 SET

HJ-110



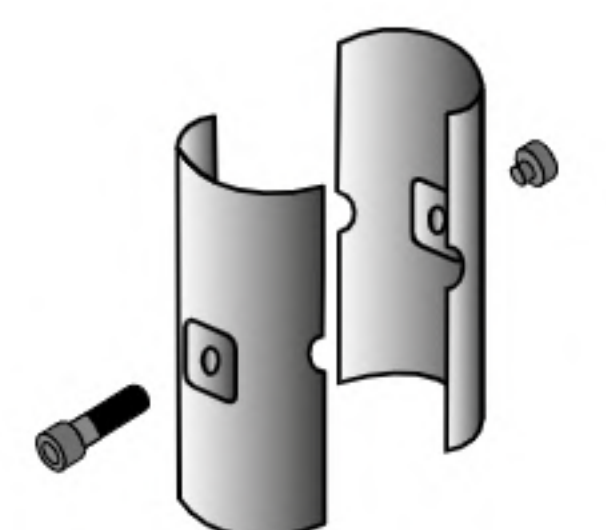
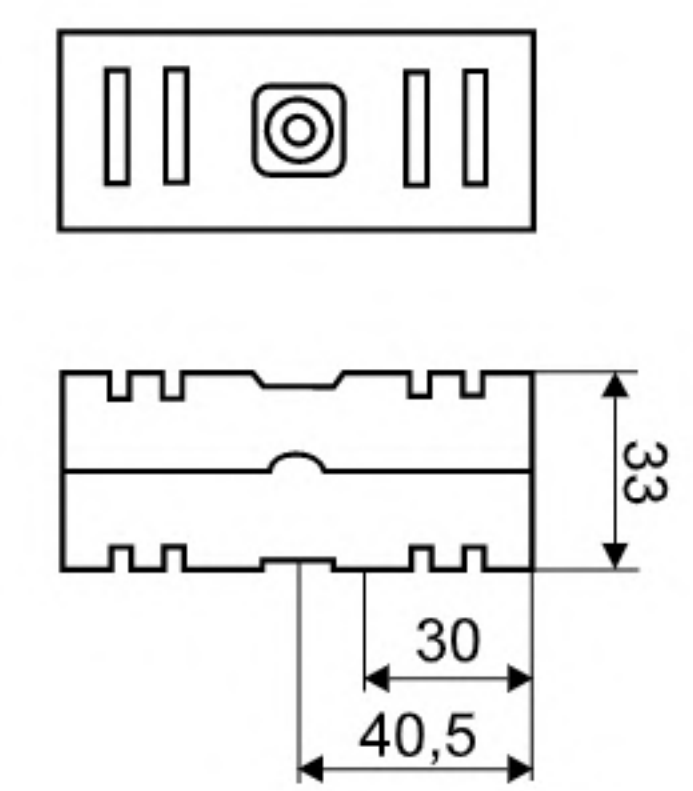
H-110 2 ITEM
N-1/N-2 2 SET

HJ-160



H-160 2 ITEM
N-1/N-2 2 SET

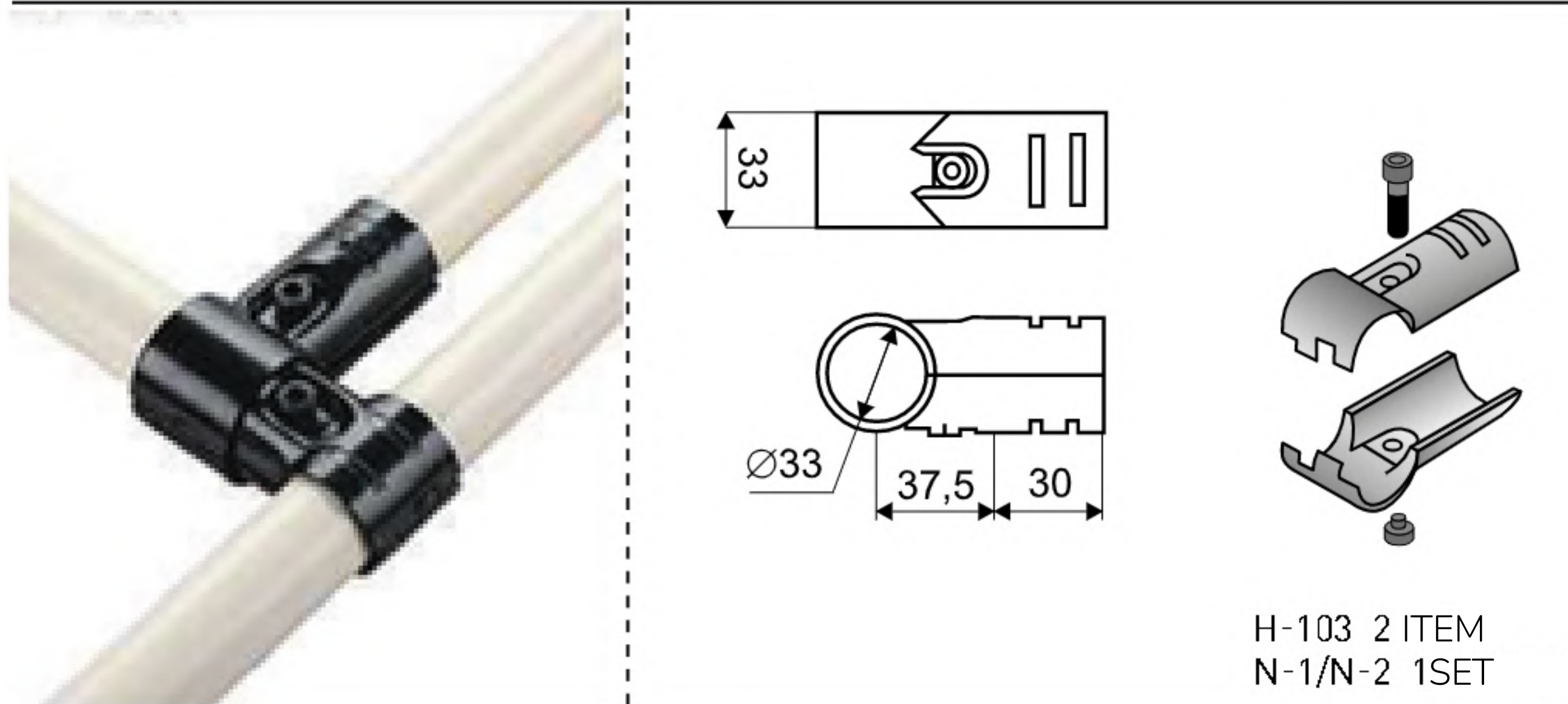
HJ-180



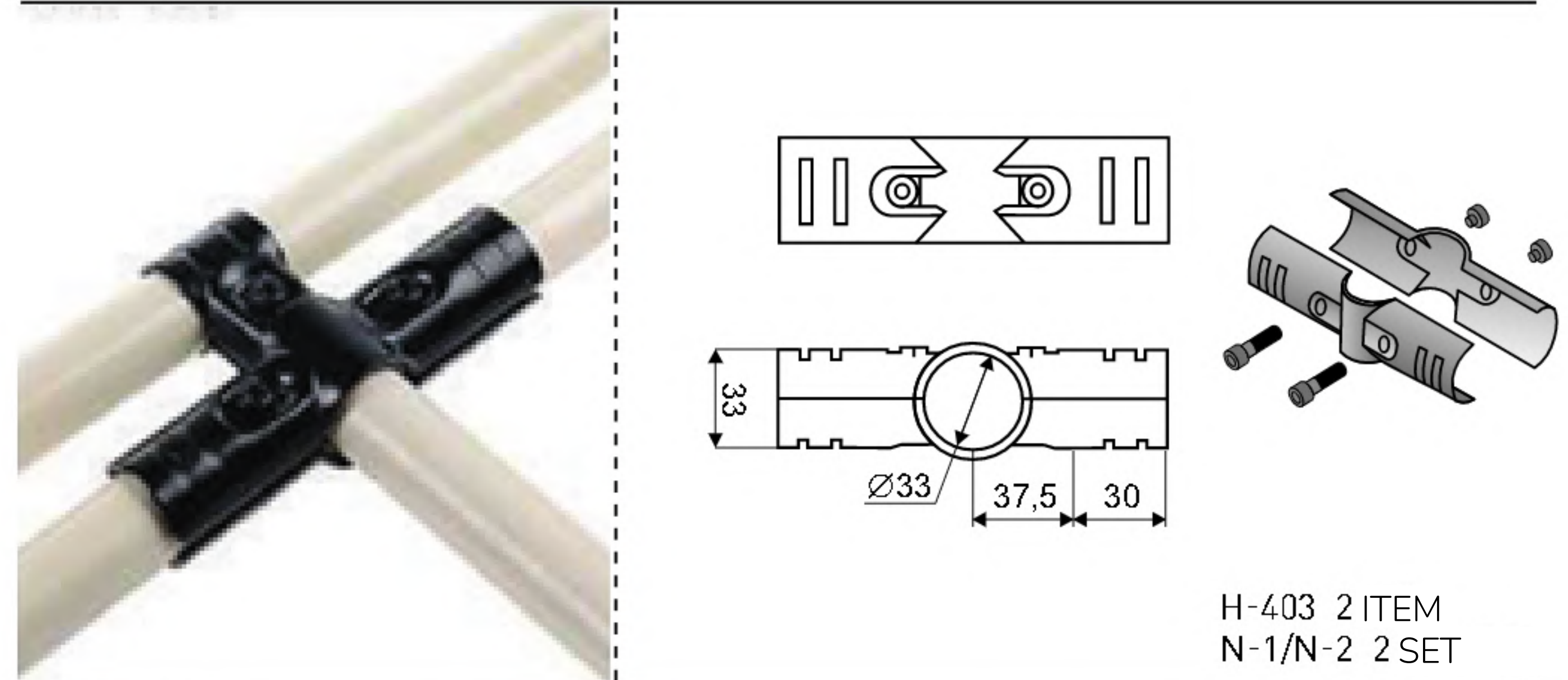
H-180 2 ITEM
N-1/N-2 1 SET

METAL JOINTS (SETS)

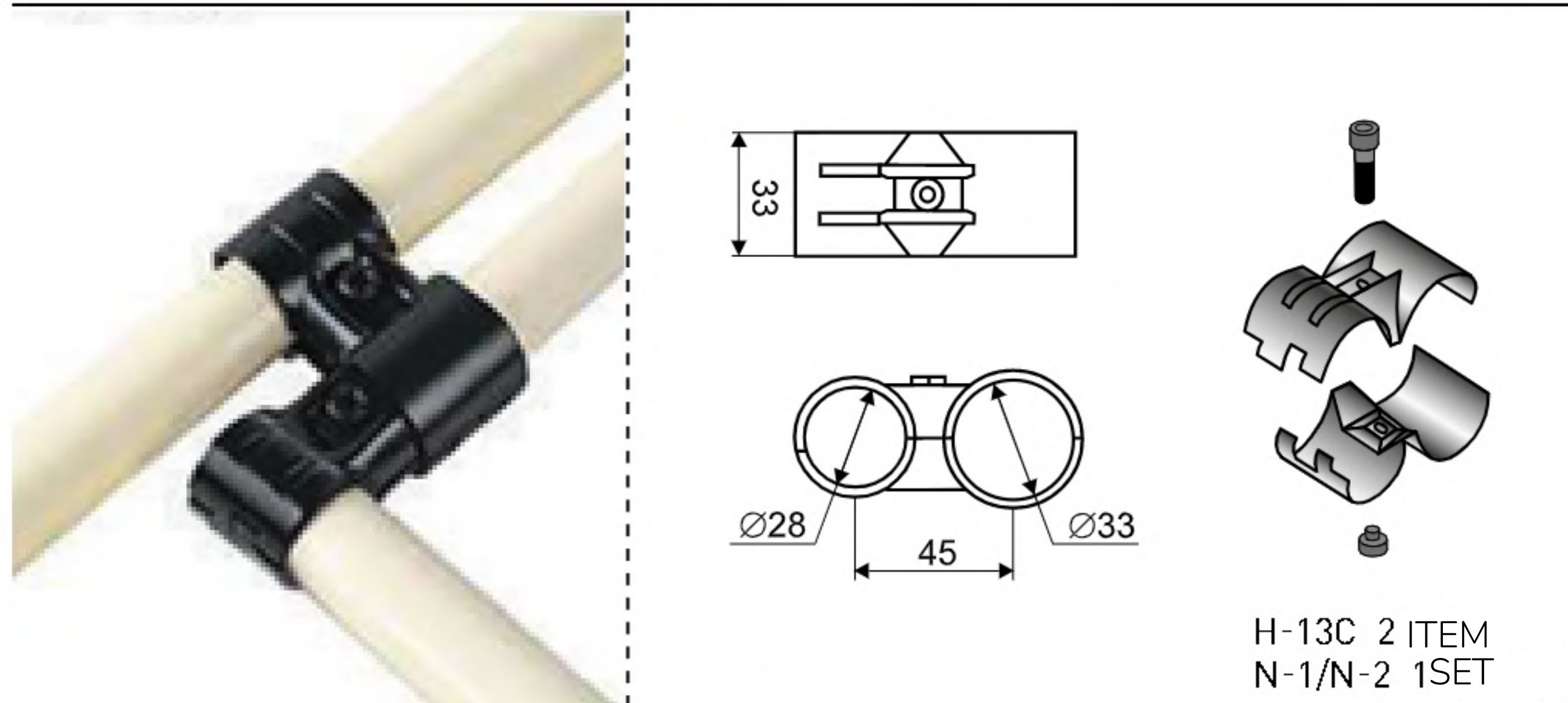
HJ-103



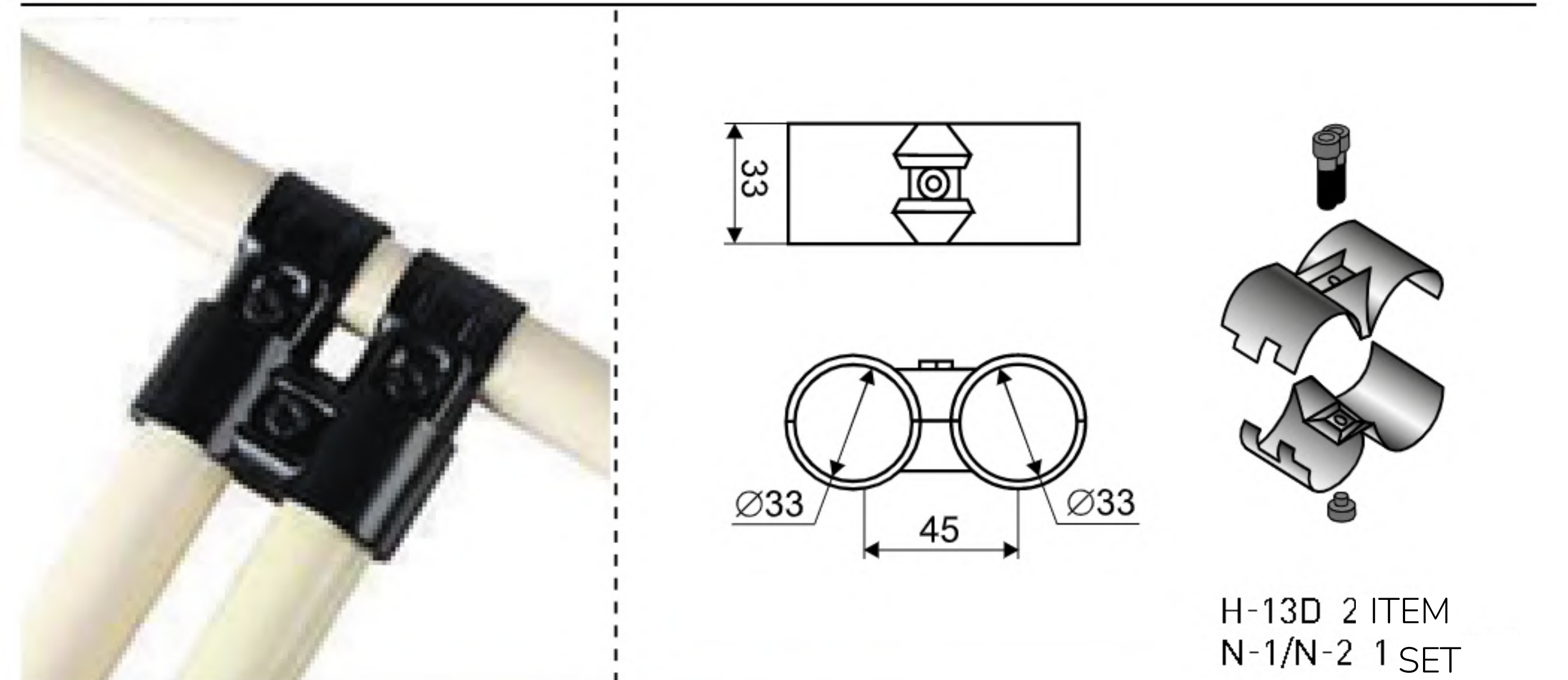
HJ-403



HJ-13C

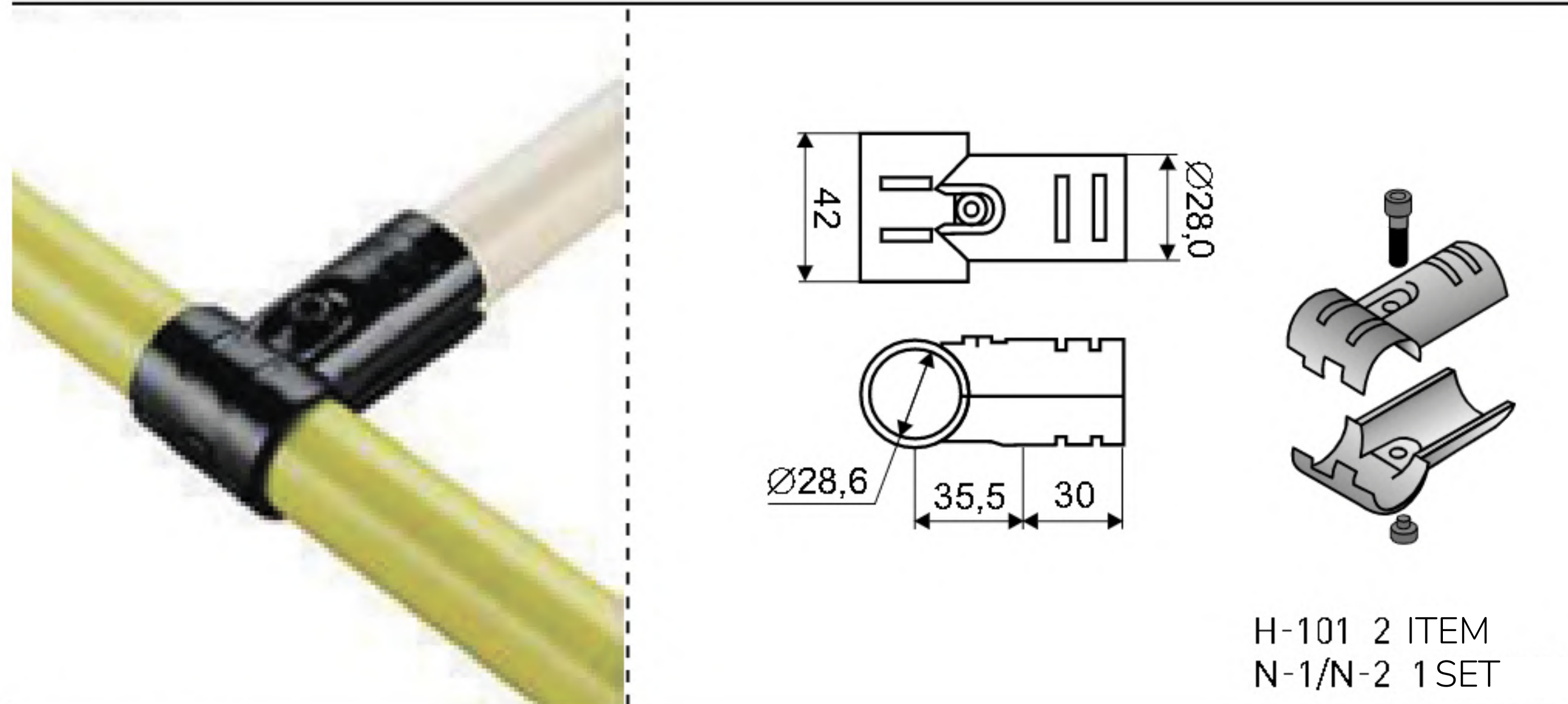


HJ-13D

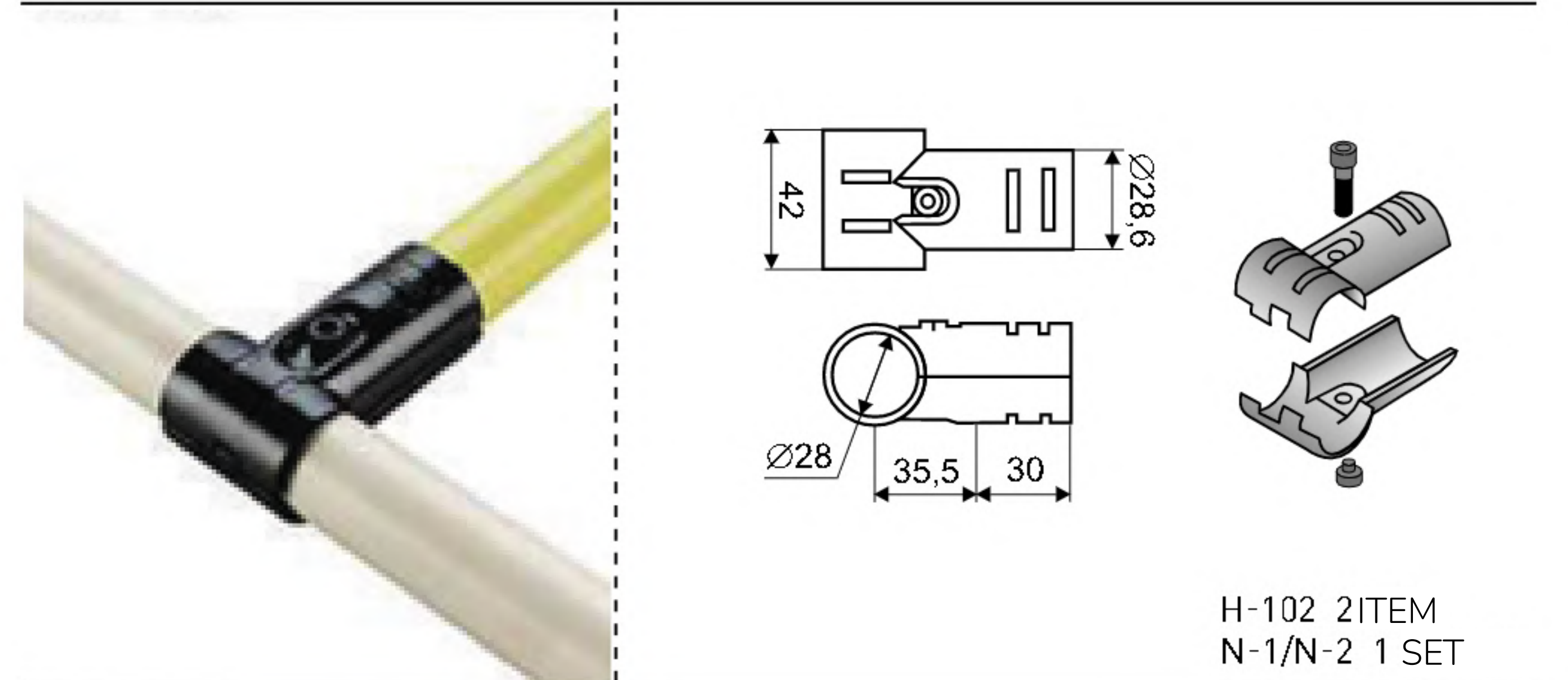


METAL JOINTS Ø28,6

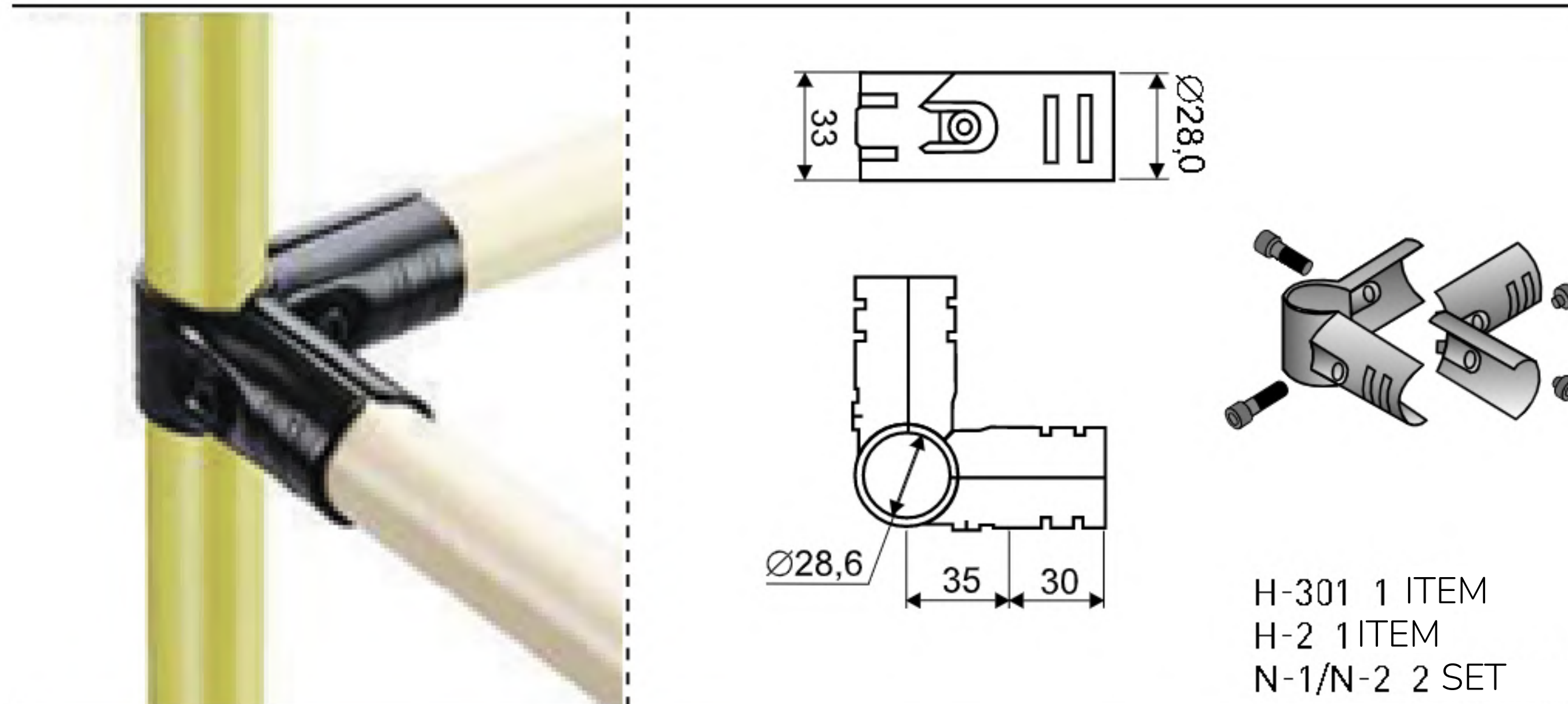
HJ-101



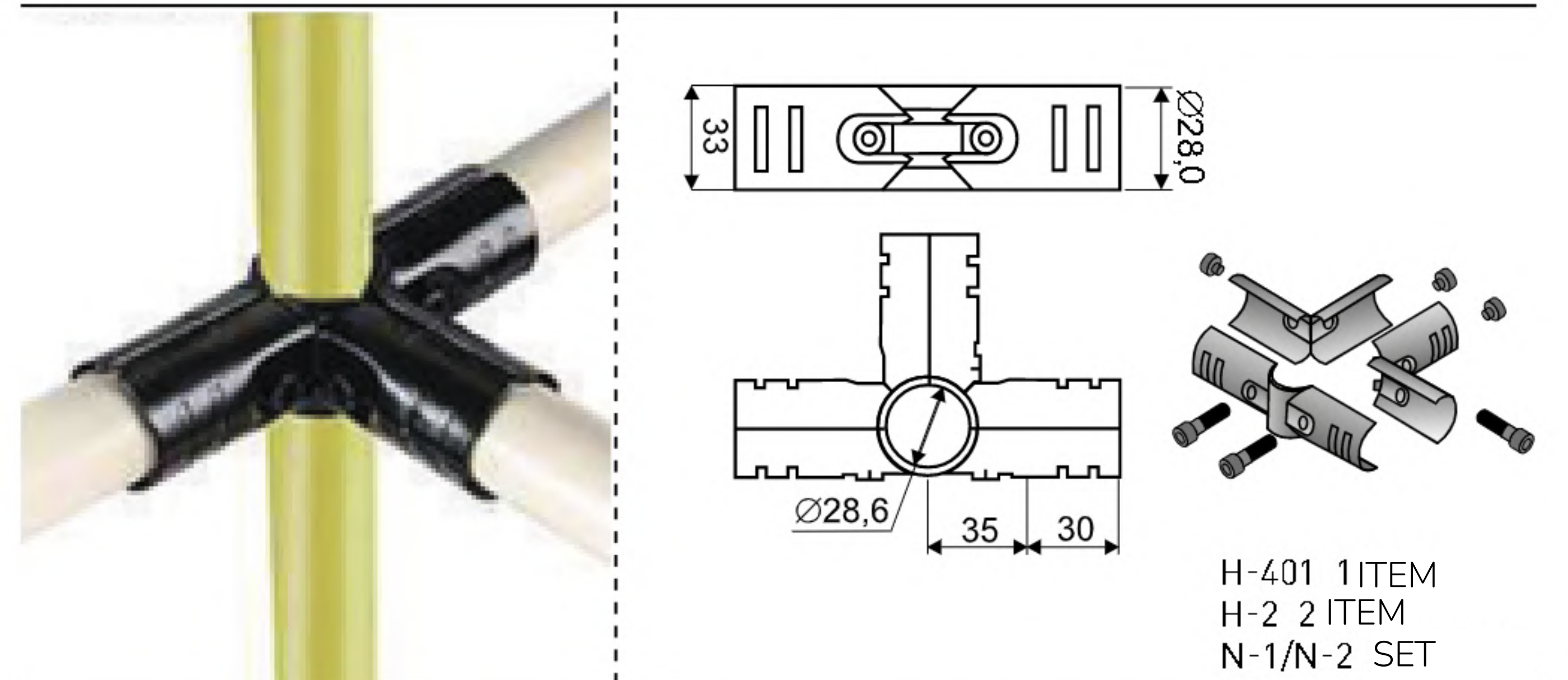
HJ-102



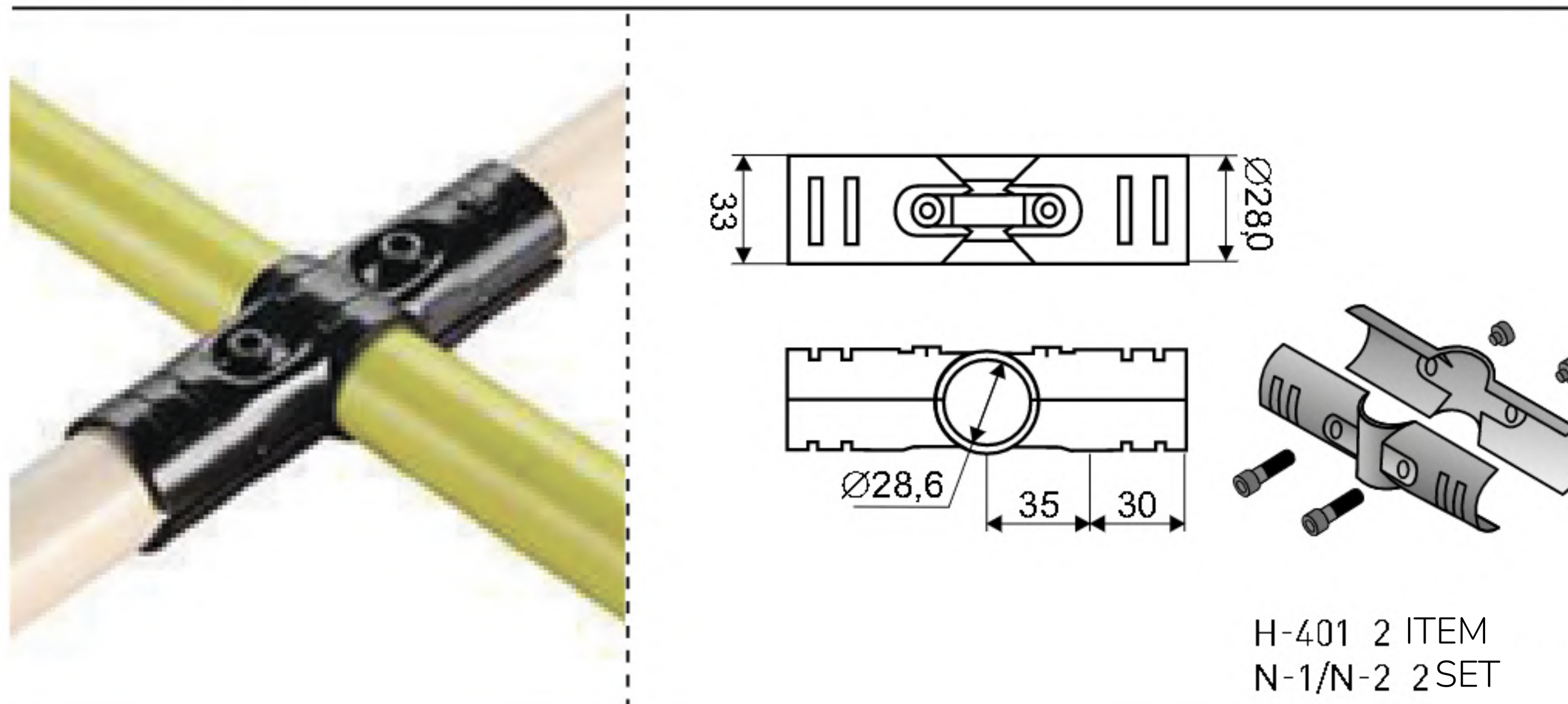
HJ-201



HJ-301

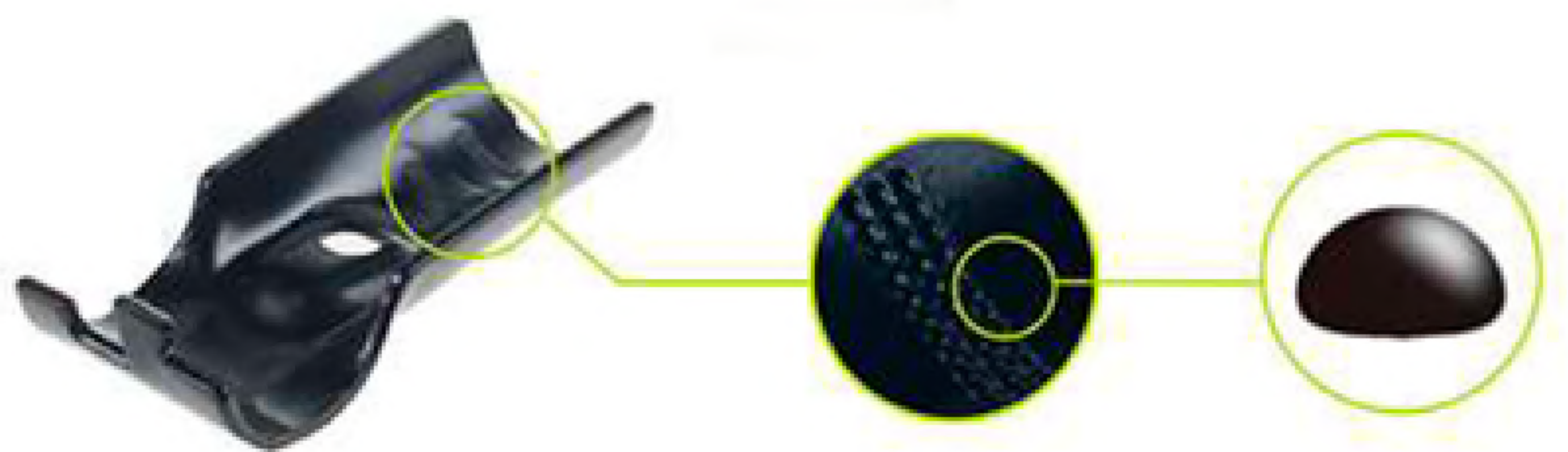


HJ-401



H SERIES

METAL JOINTS



Coating Options for Metal Connectors



BK
BLACK

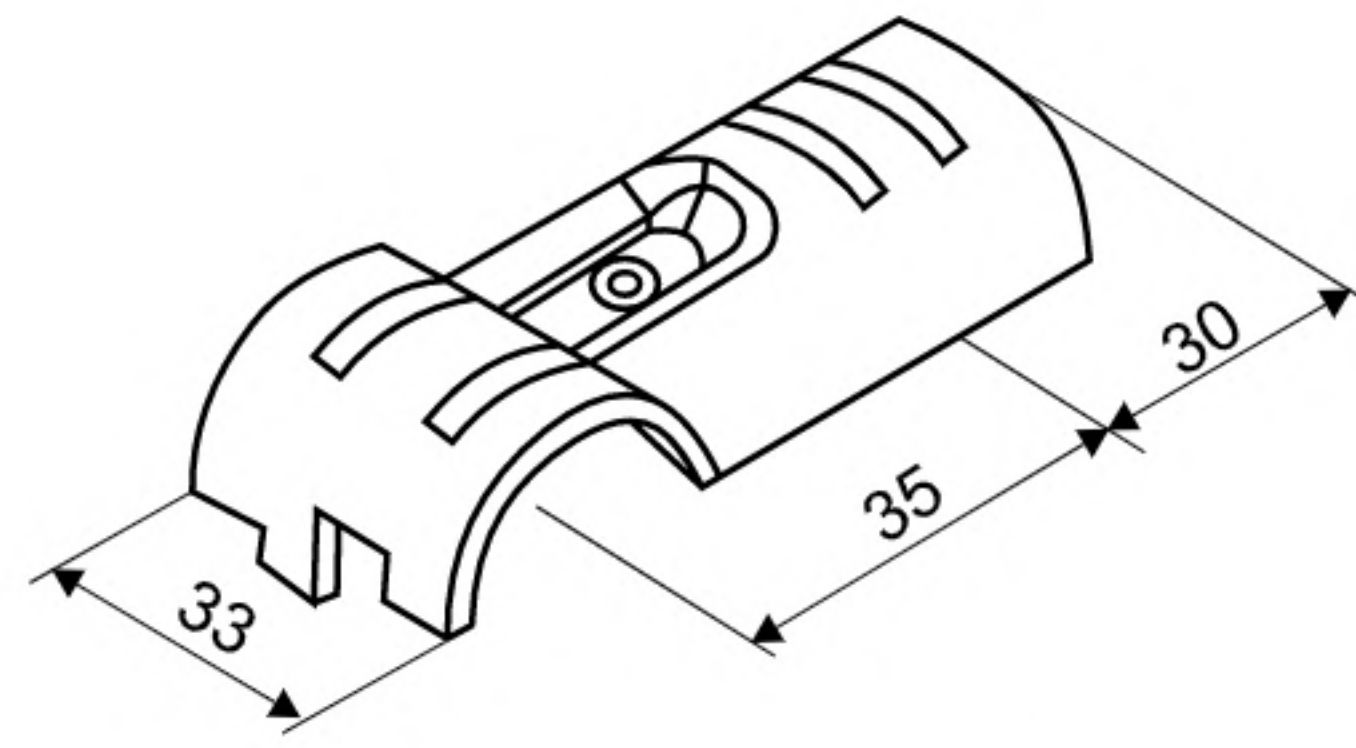
WZ
GALVANIZED

CP
CHROMIUM
PLATED

NP
NICKEL
PLATED

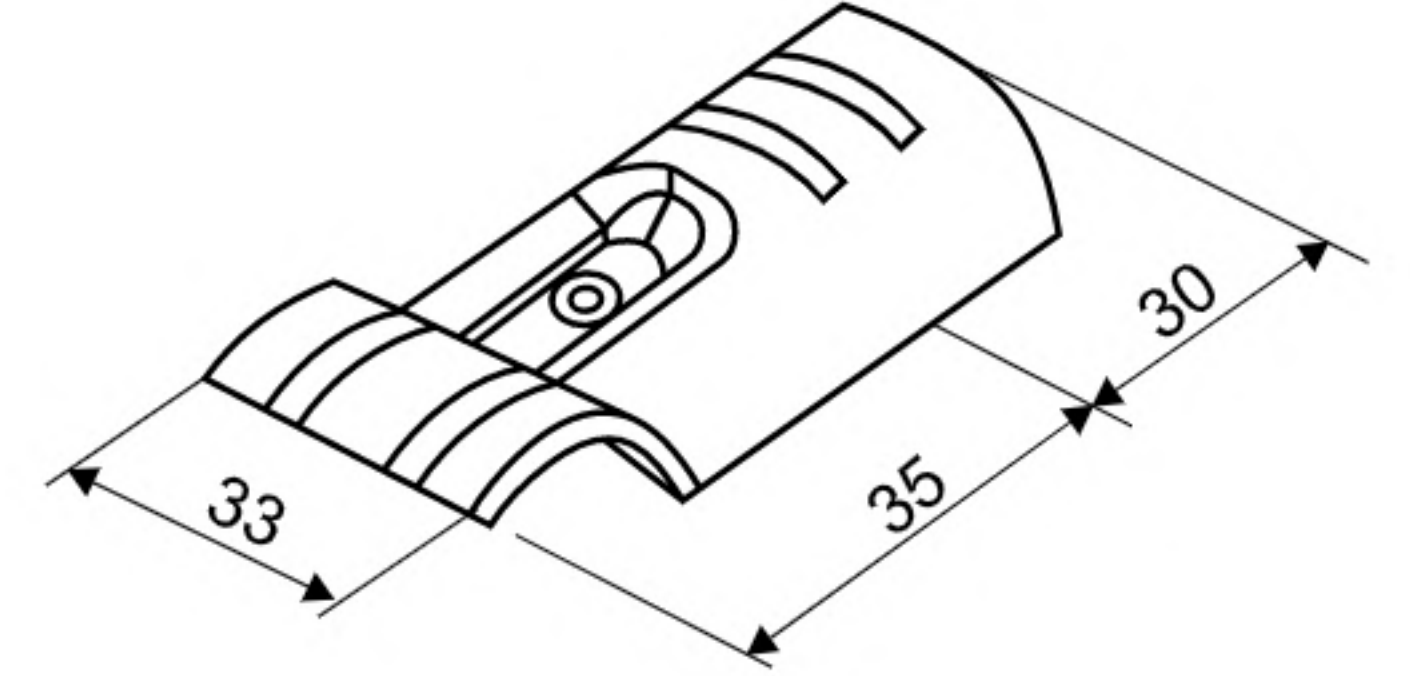
METAL JOINTS

H-1



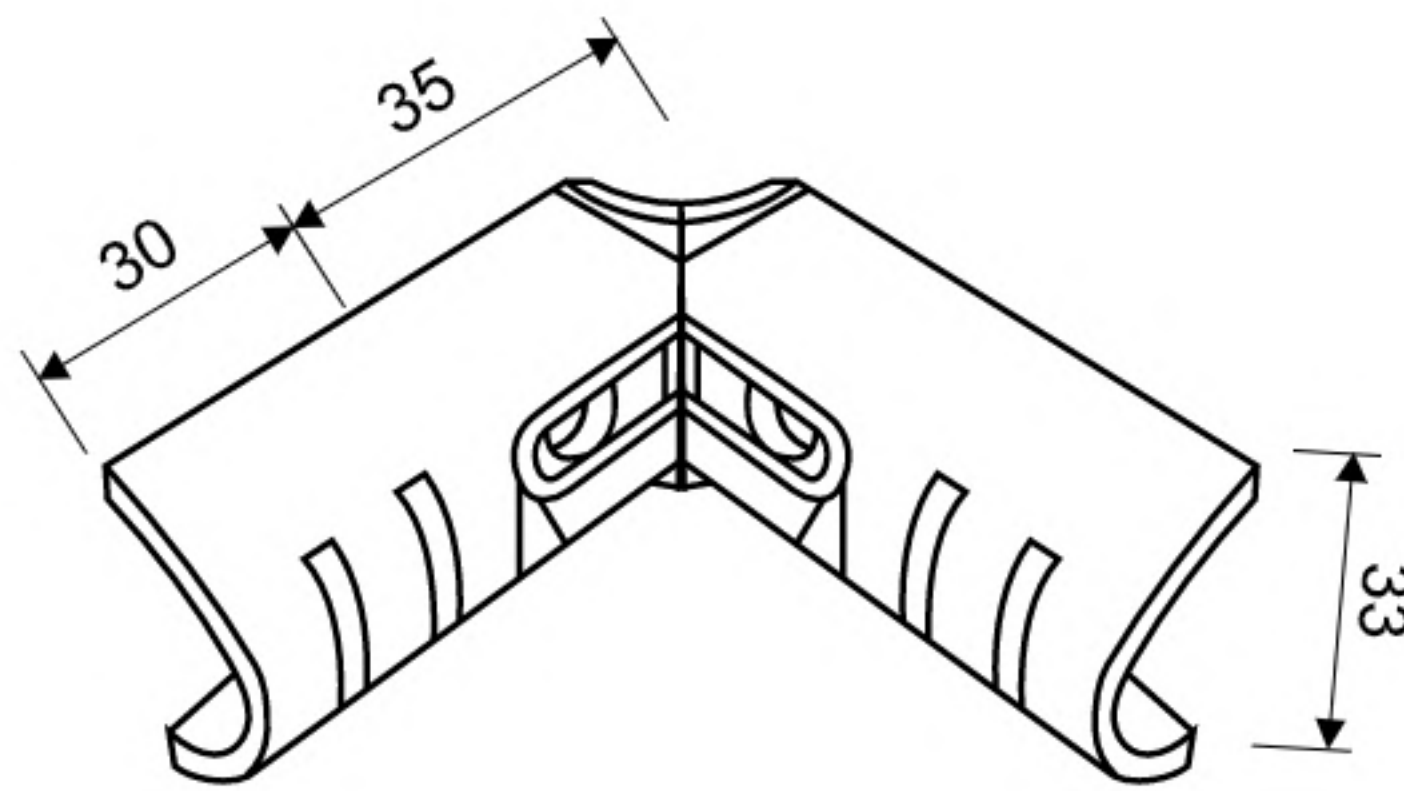
KG/ITEM 0.067
ITEM/PACK 300

H-1A



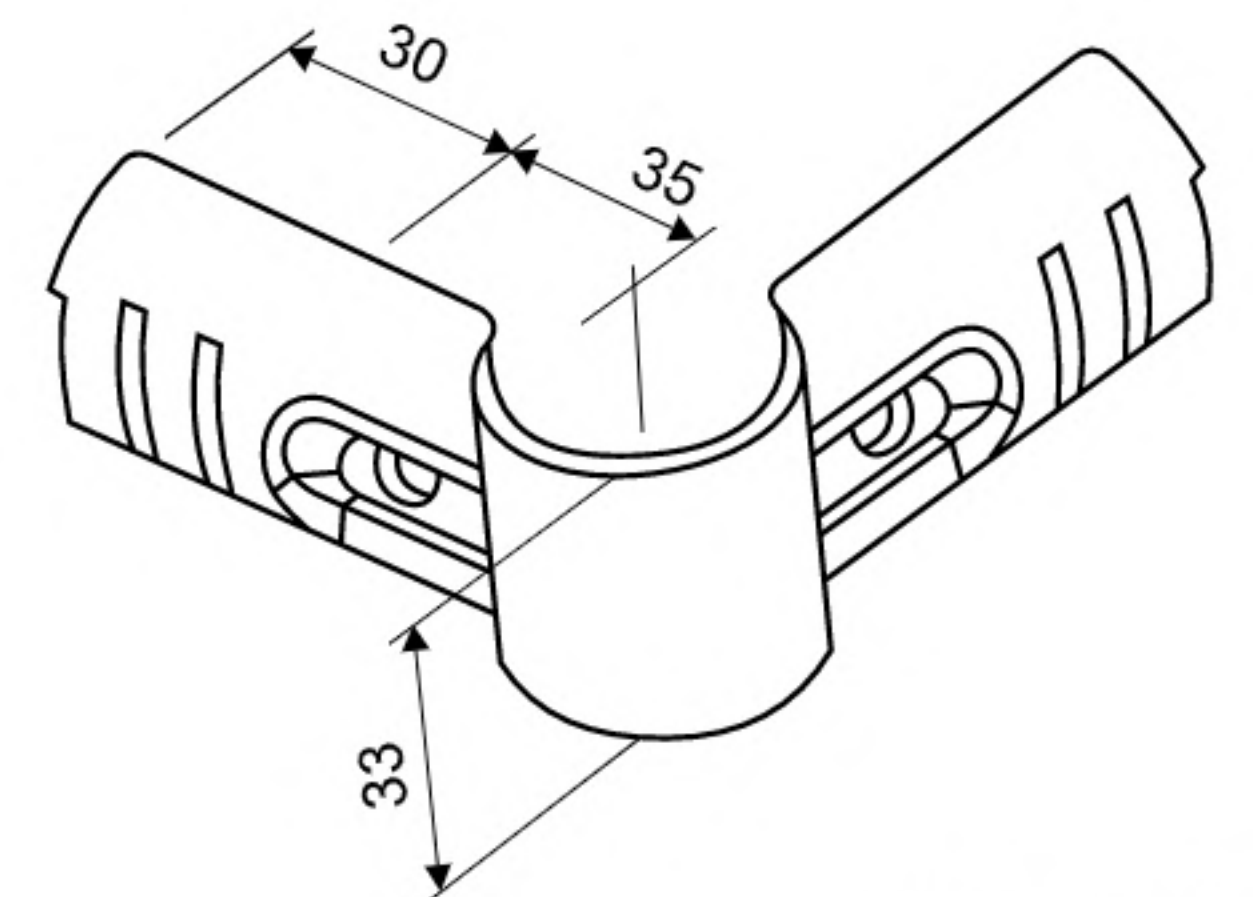
KG/ITEM 0.058
ITEM/PACK 360

H-2



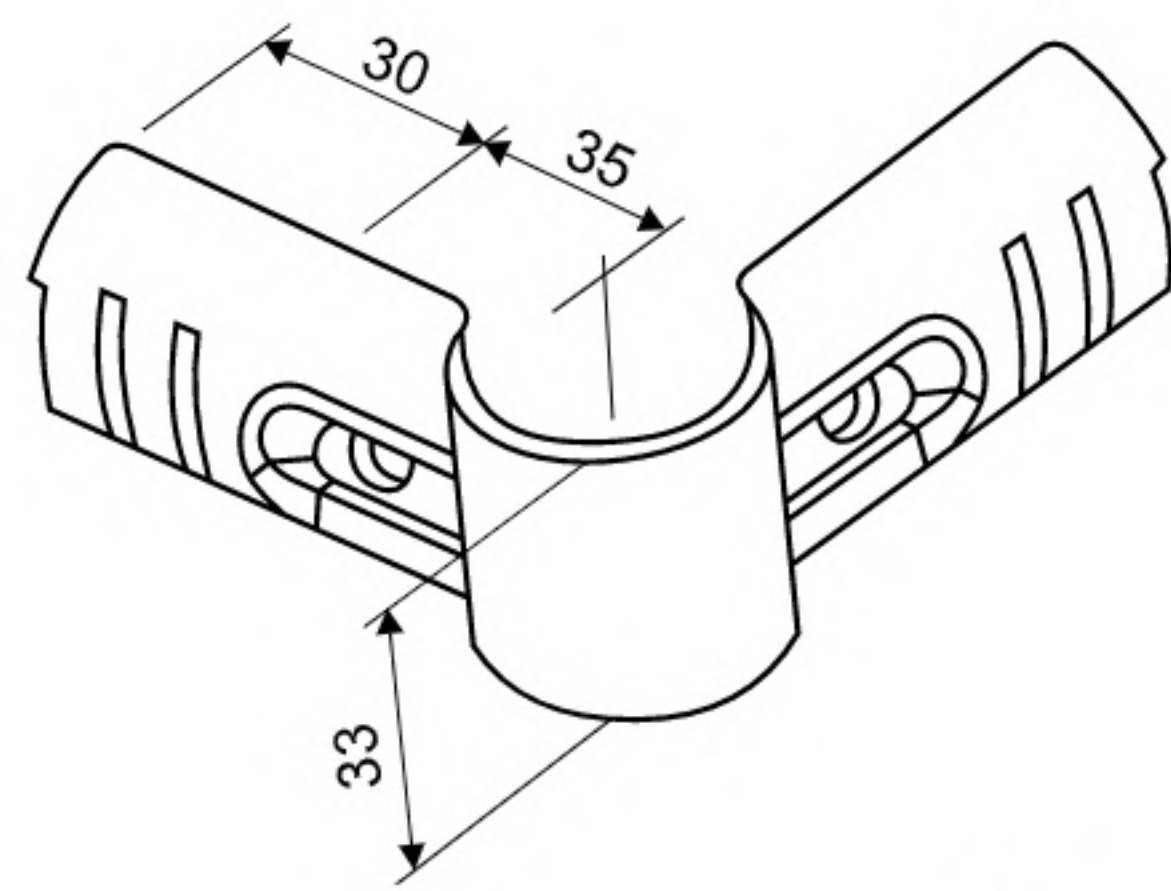
KG/ITEM 0.094
ITEM/PACK 200

H-3 NON CLAMP TYPE



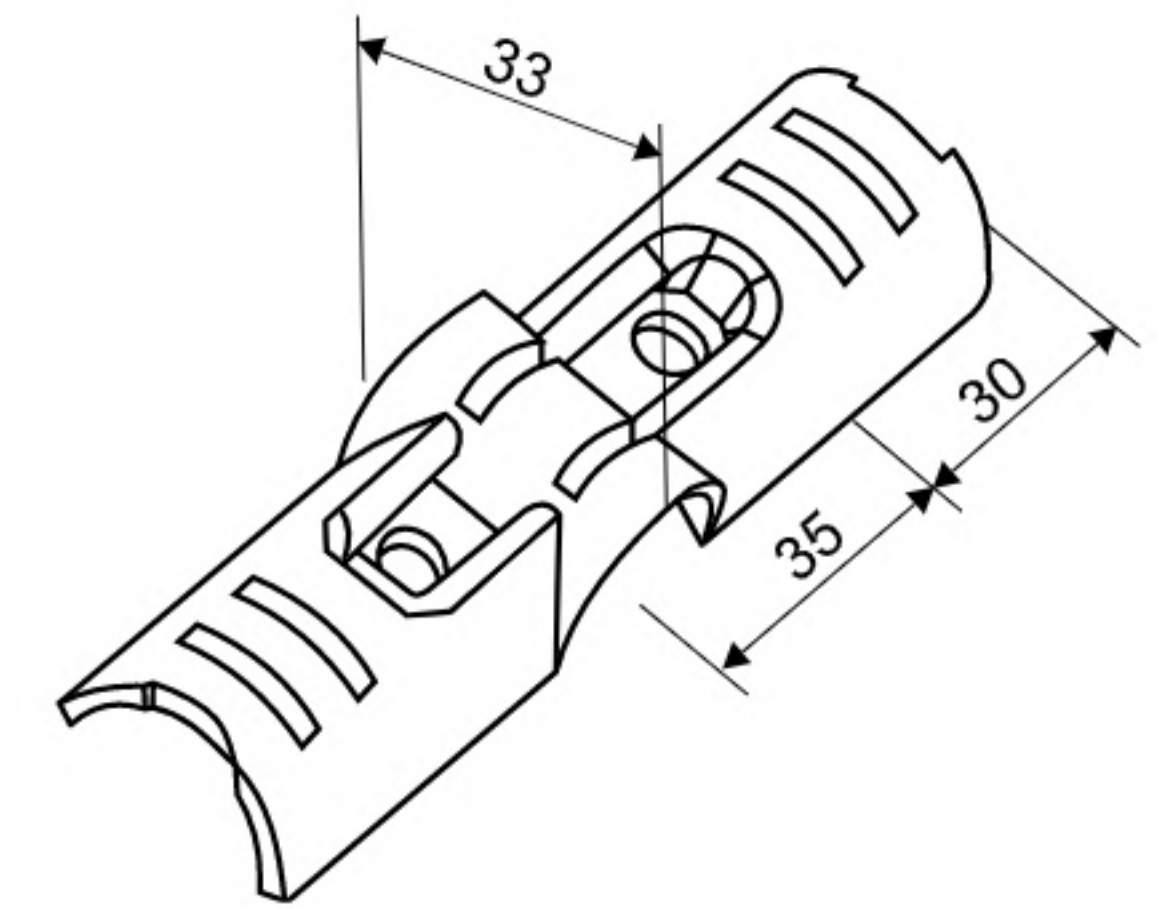
KG/ITEM 0.120
ITEM/PACK 80

H-3K CLAMP TYPE



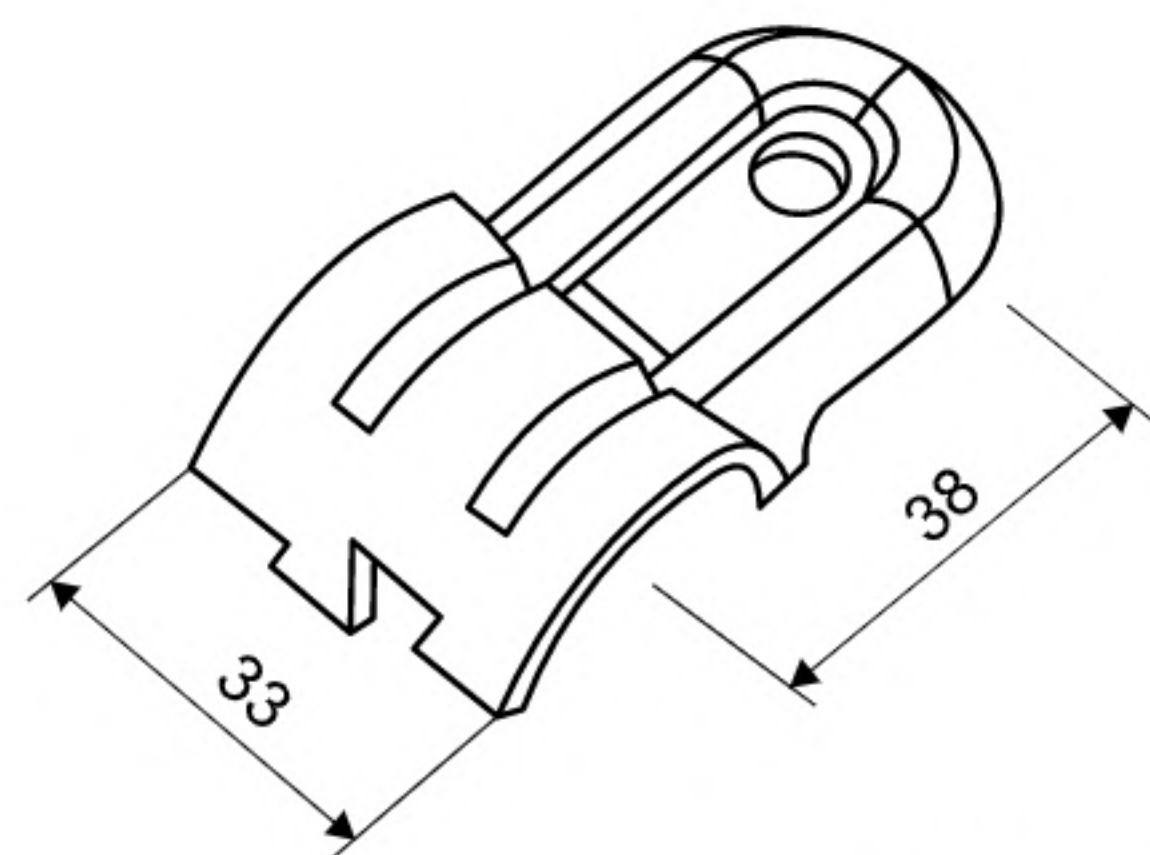
KG/ITEM 0.120
ITEM/PACK 80

H-4



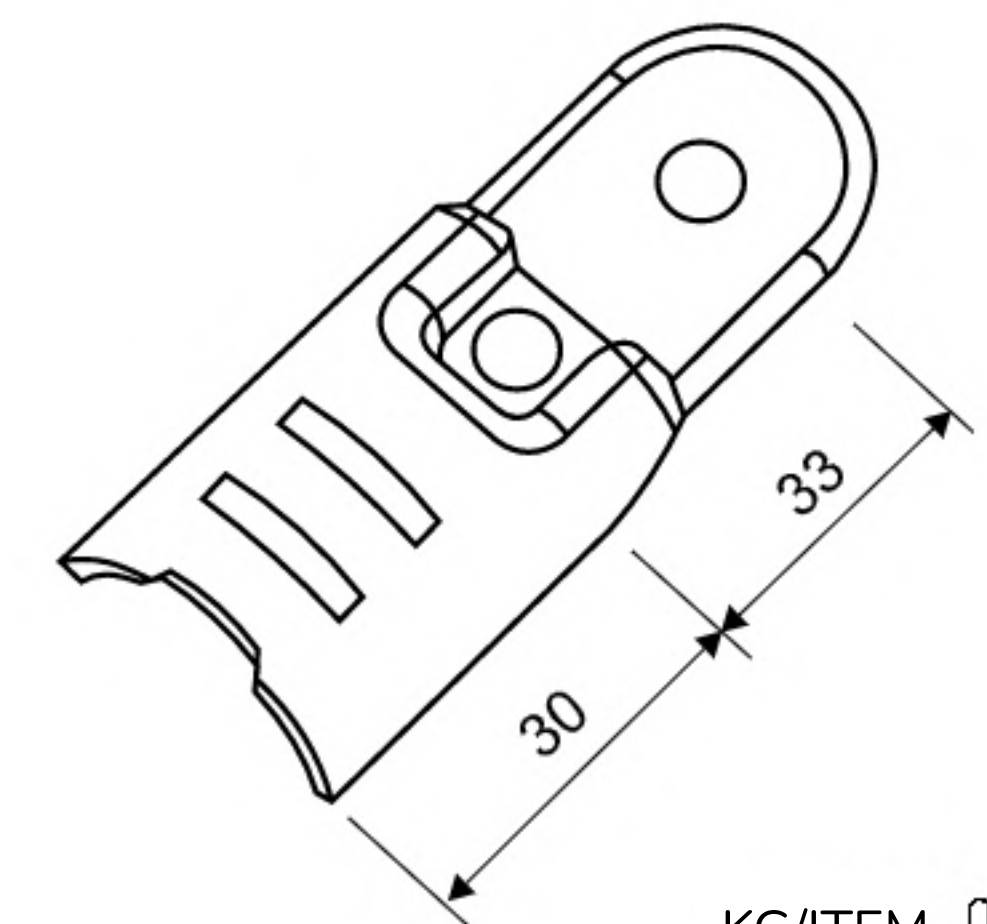
KG/ITEM 0.106
ITEM/PACK 200

H-5



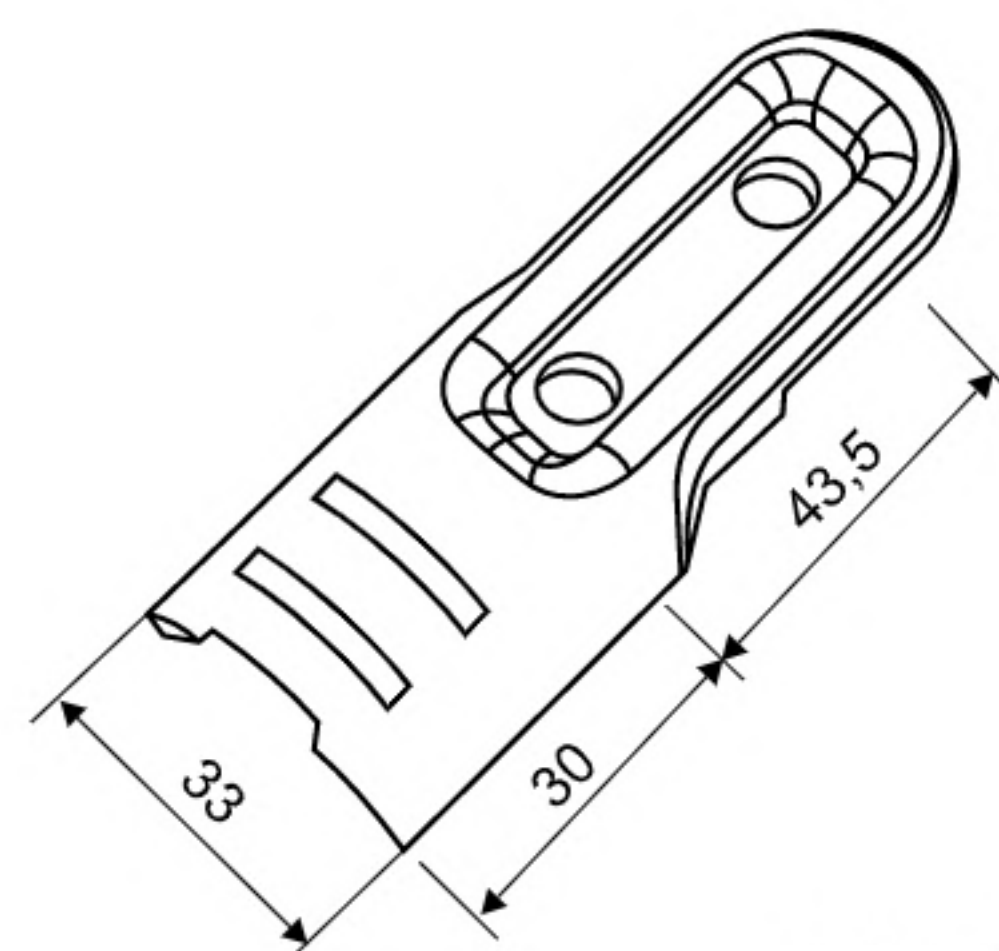
KG/ITEM 0.045
ITEM/PACK 300

H-6



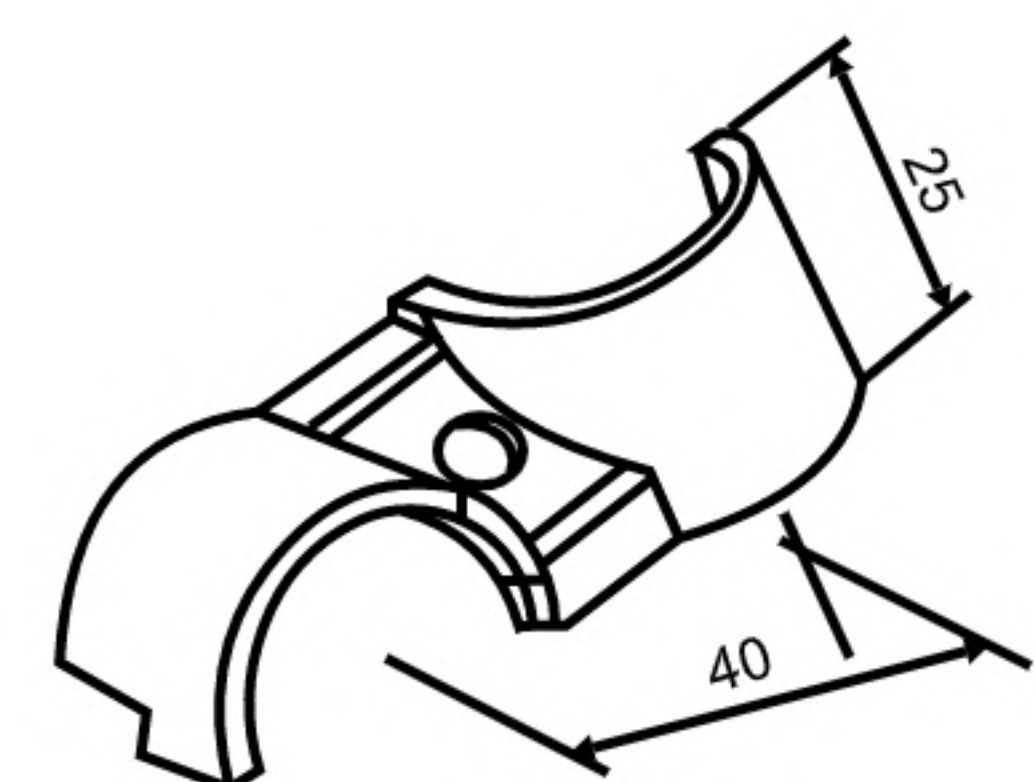
KG/ITEM 0.059
ITEM/PACK 300

H-6A



KG/ITEM 0.066
ITEM/PACK 240

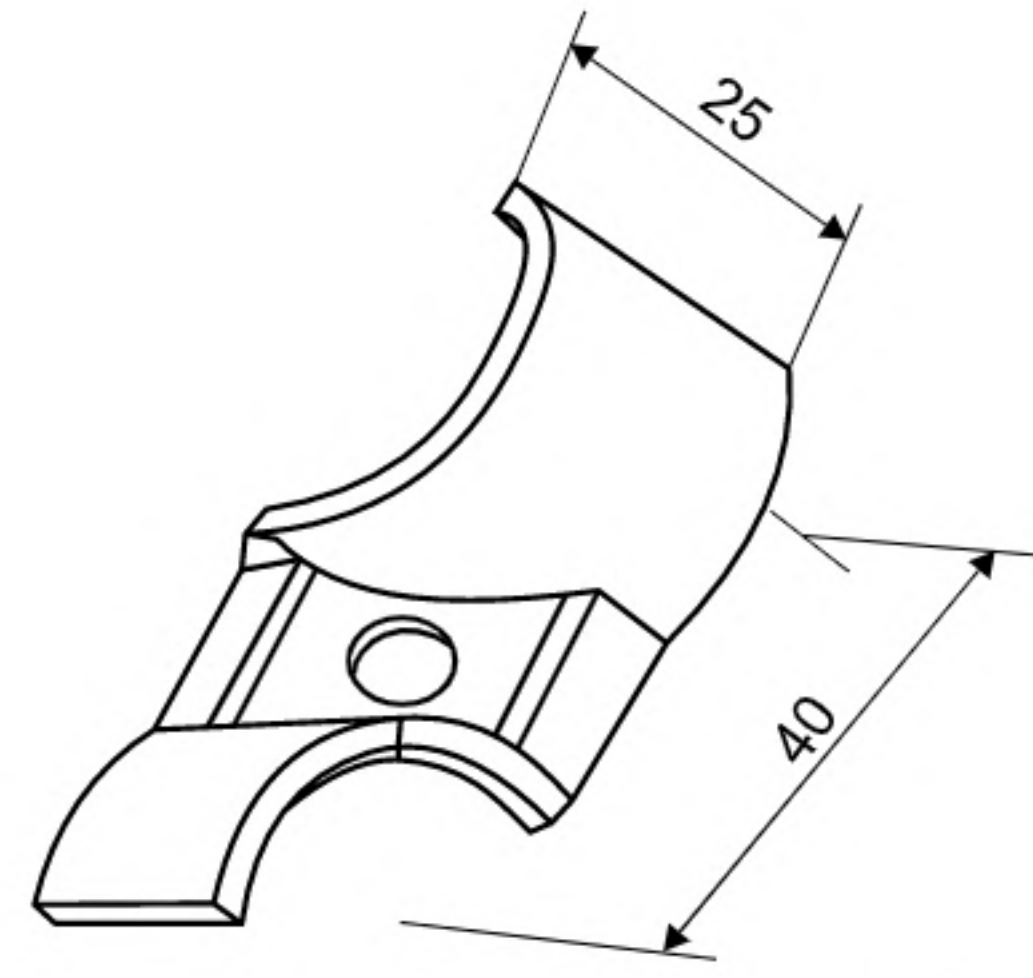
H-7



KG/ITEM 0.048
ITEM/PACK 200

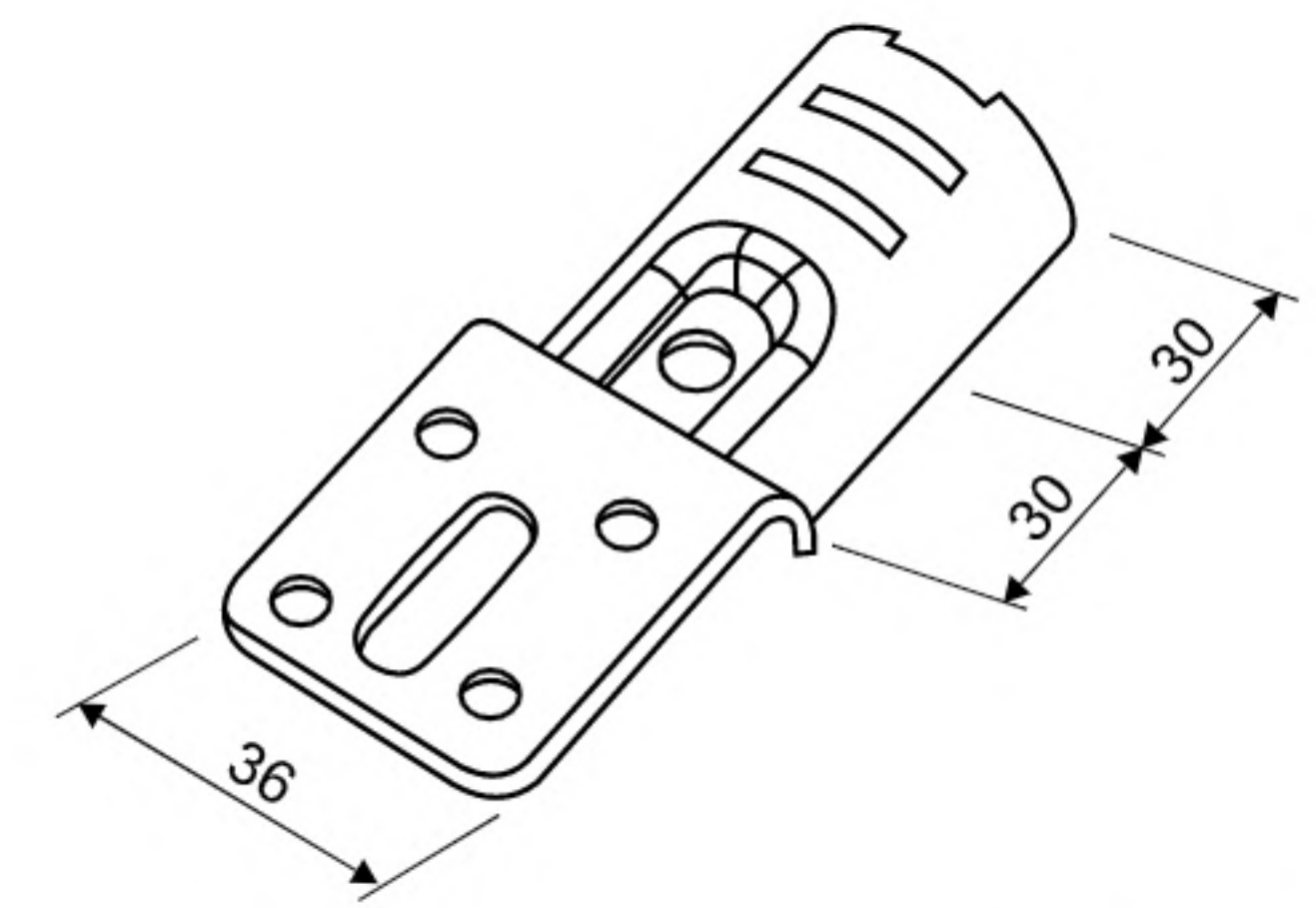
METAL JOINTS

H-7A



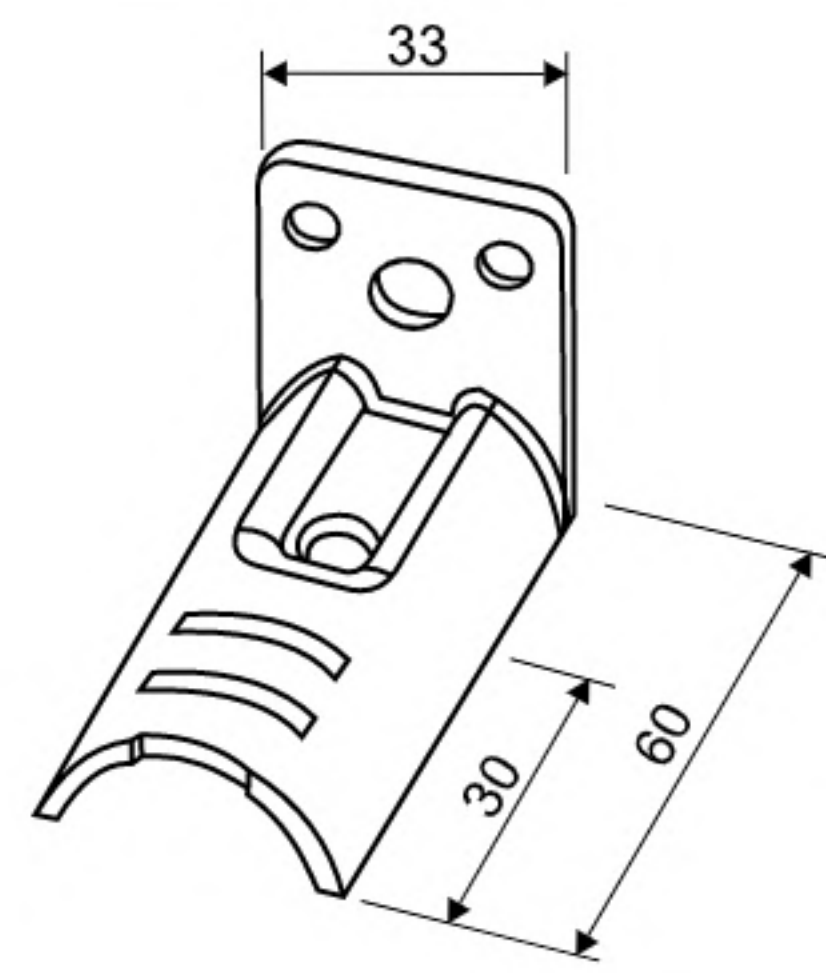
KG/ITEM 0.040
ITEM/PACK 300

H-8



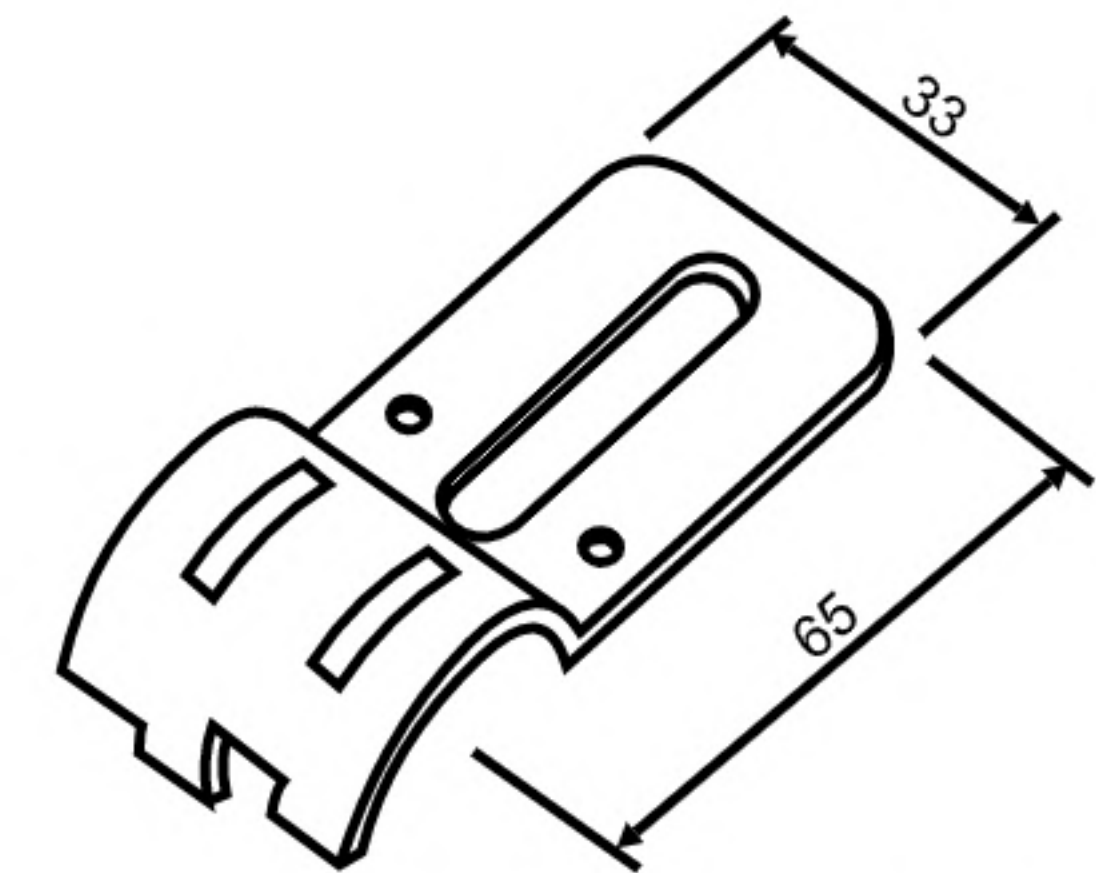
KG/ITEM 0.067
ITEM/PACK 240

H-9



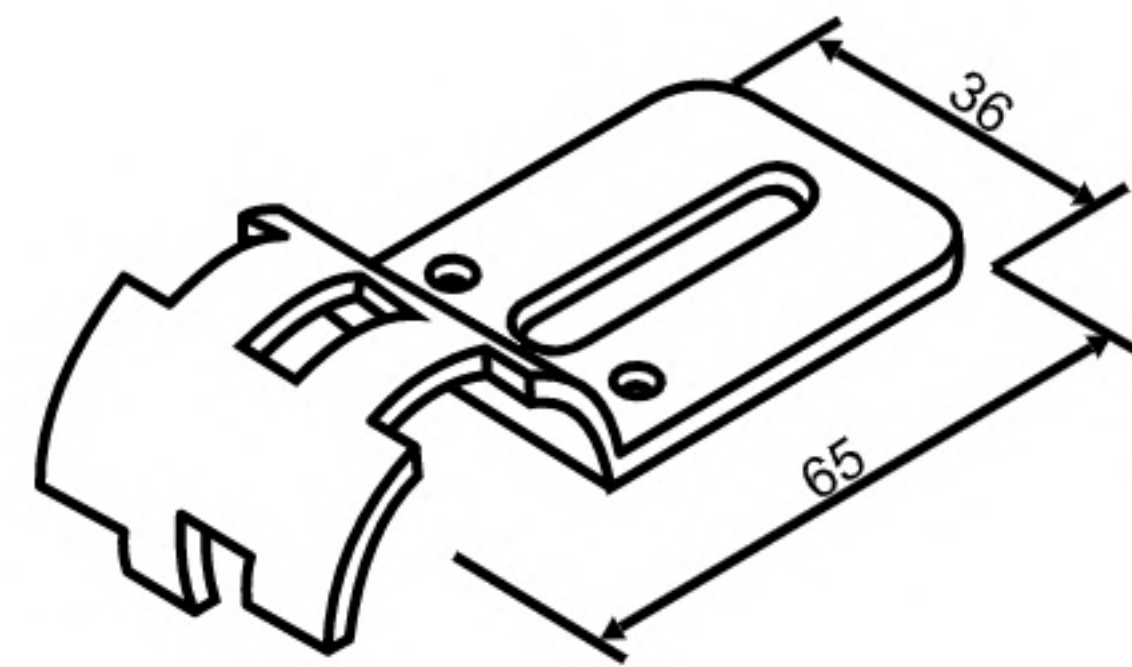
KG/ITEM 0.062
ITEM/PACK 330

H-10



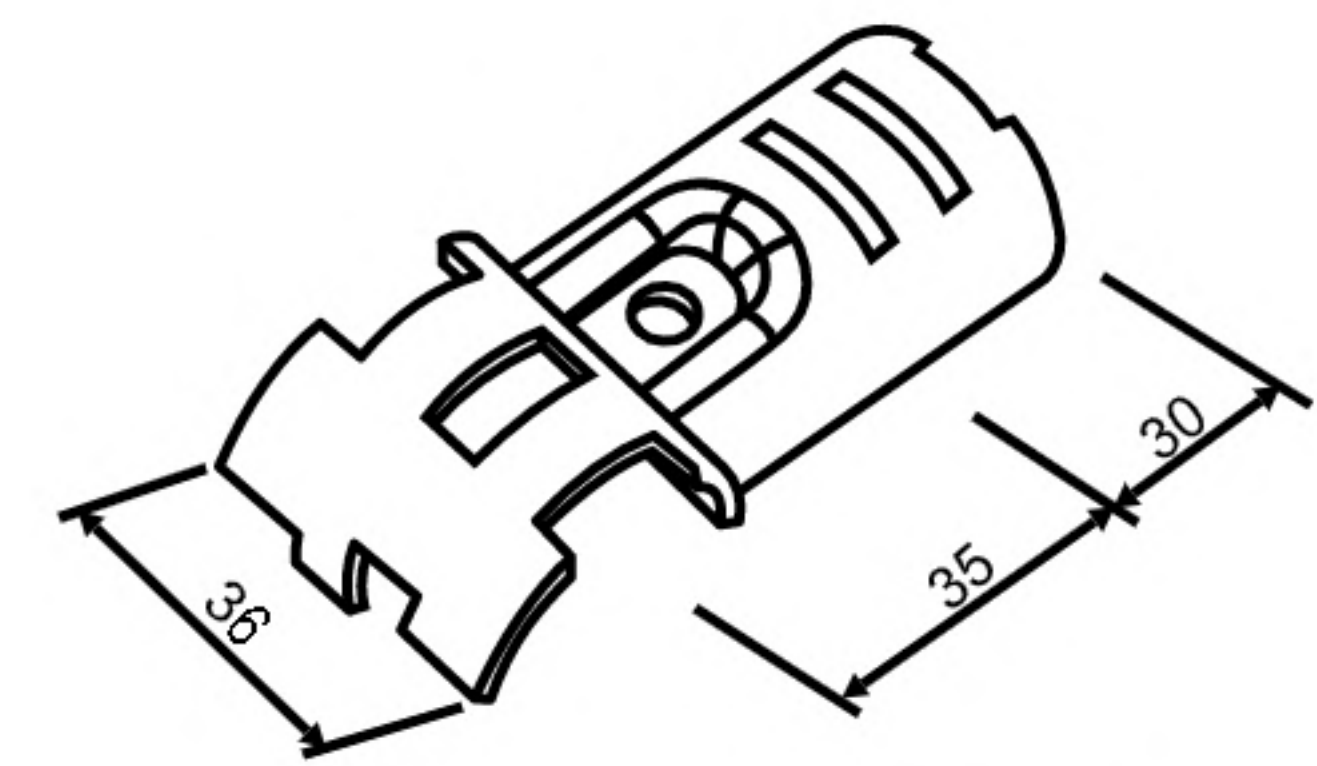
KG/ITEM 0.054
ITEM/PACK 300

H-11



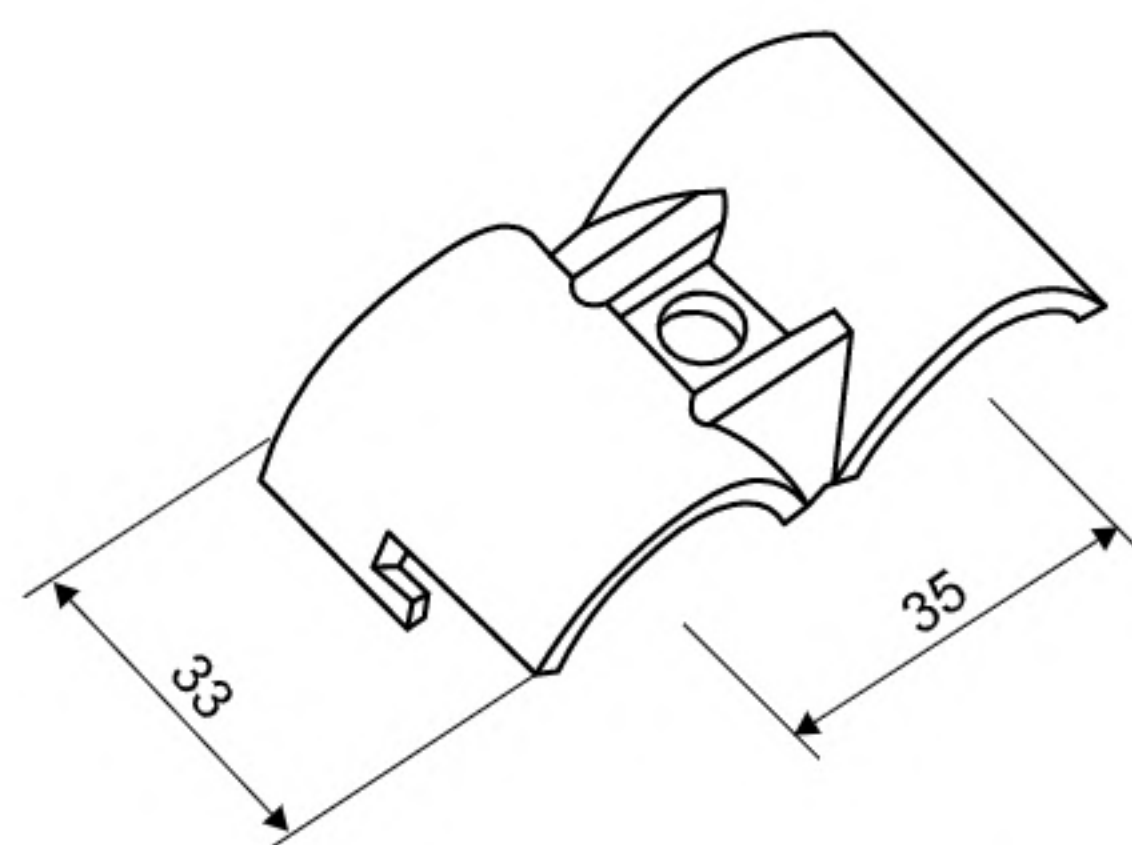
KG/ITEM 0.060
ITEM/PACK 280

H-12



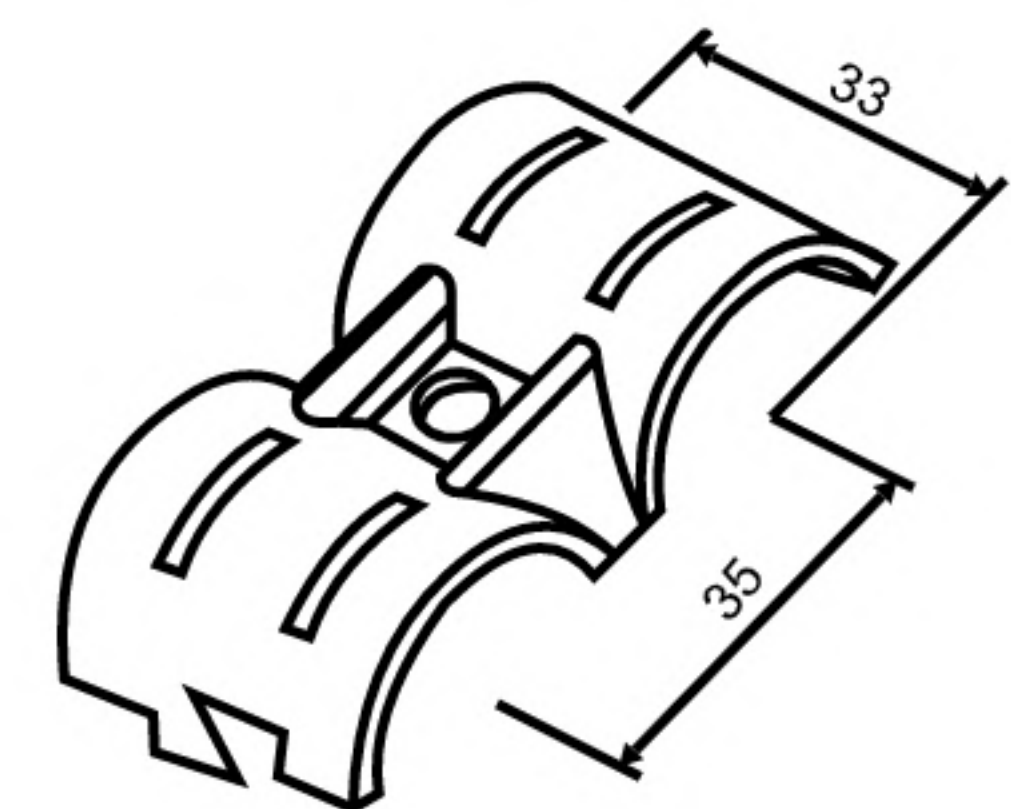
KG/ITEM 0.063
ITEM/PACK 240

H-13



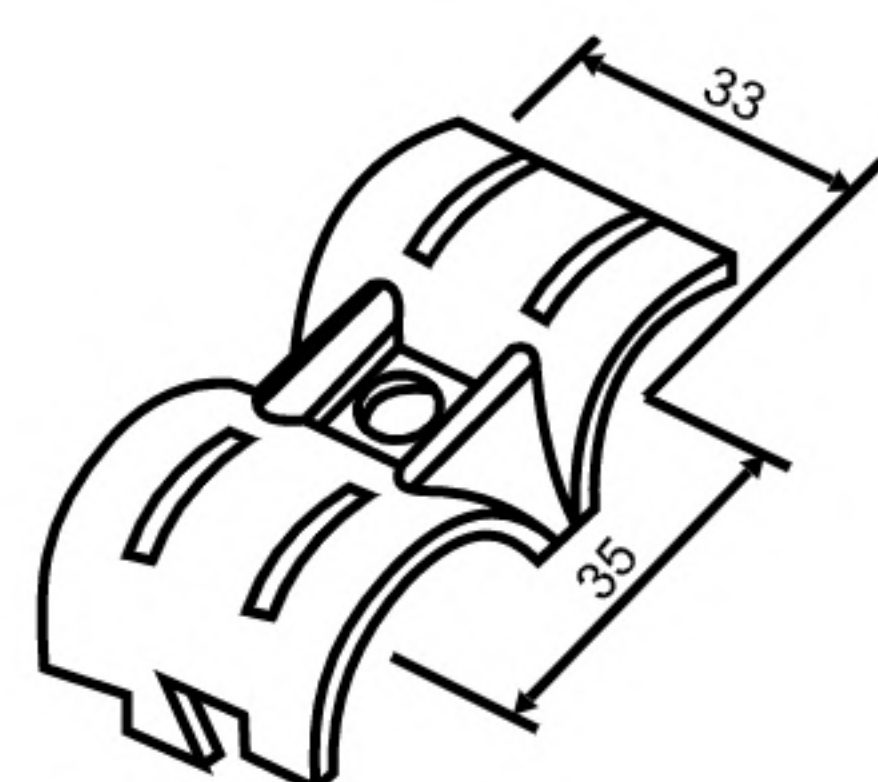
KG/ITEM 0.053
ITEM/PACK 300

H-13A



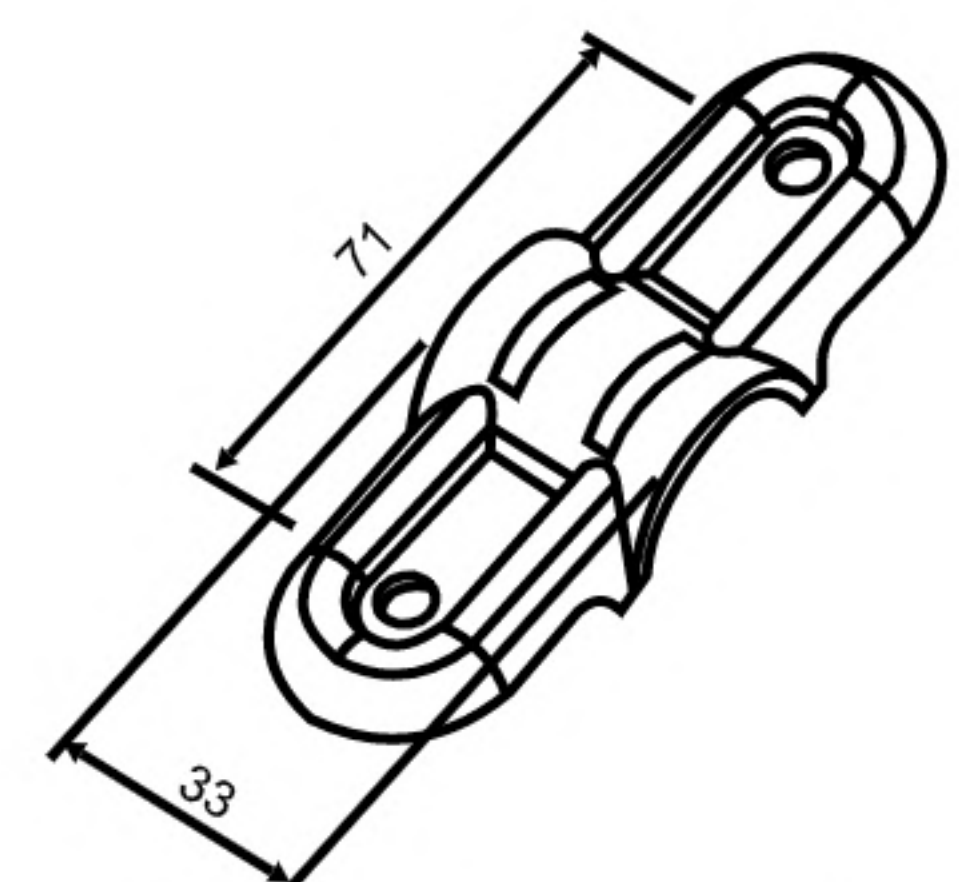
KG/ITEM 0.052
ITEM/PACK 330

H-13B



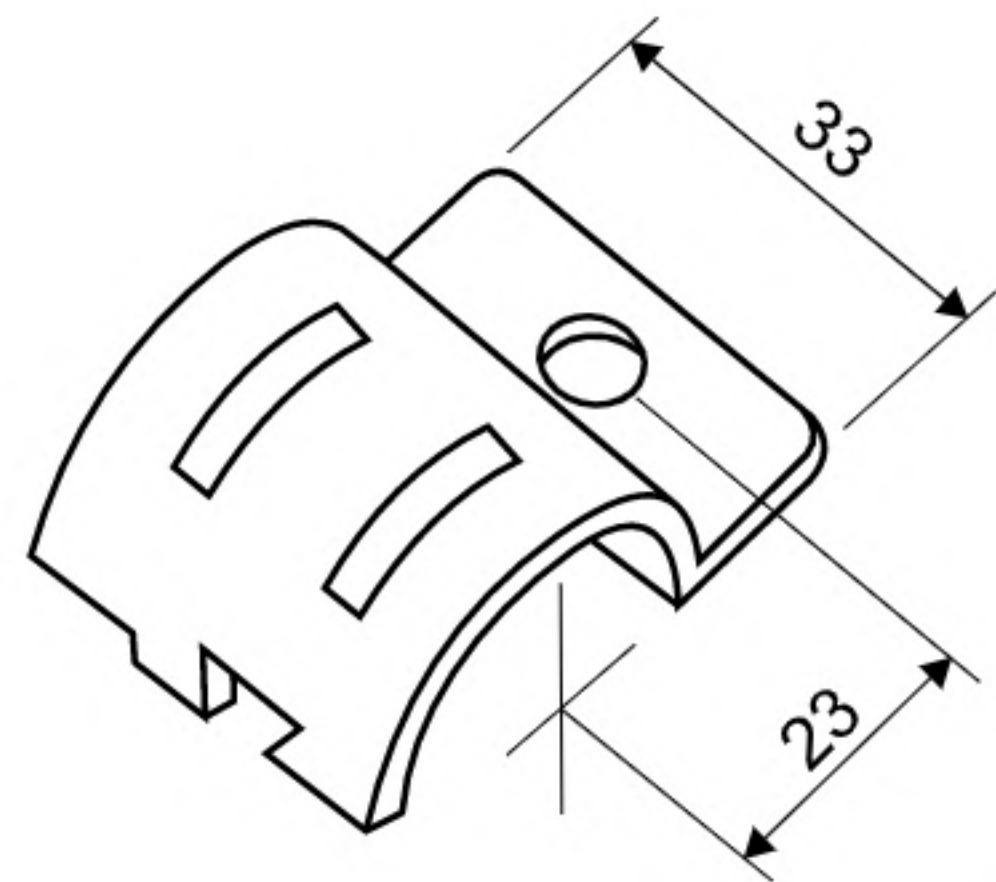
KG/ITEM 0.044
ITEM/PACK 540

H-14



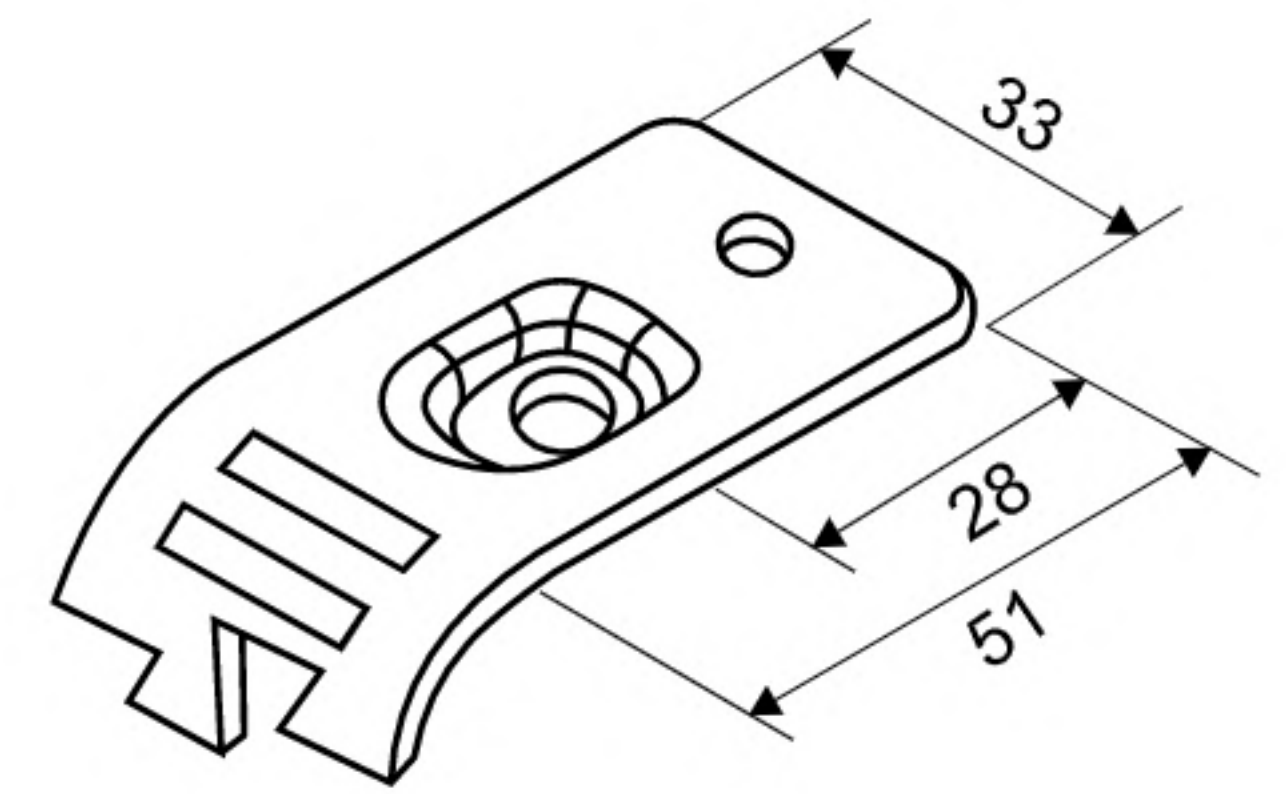
KG/ITEM 0.056
ITEM/PACK 320

H-15



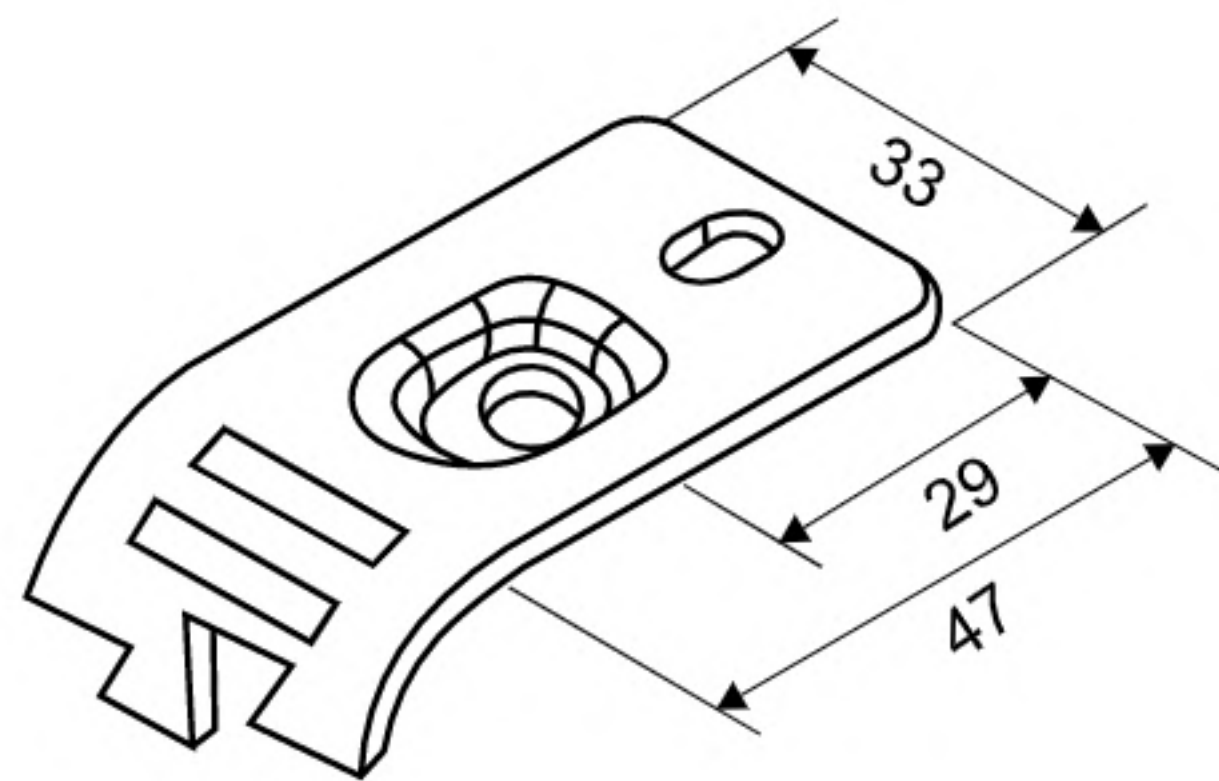
KG/ITEM 0.038
ITEM/PACK 400

H-16



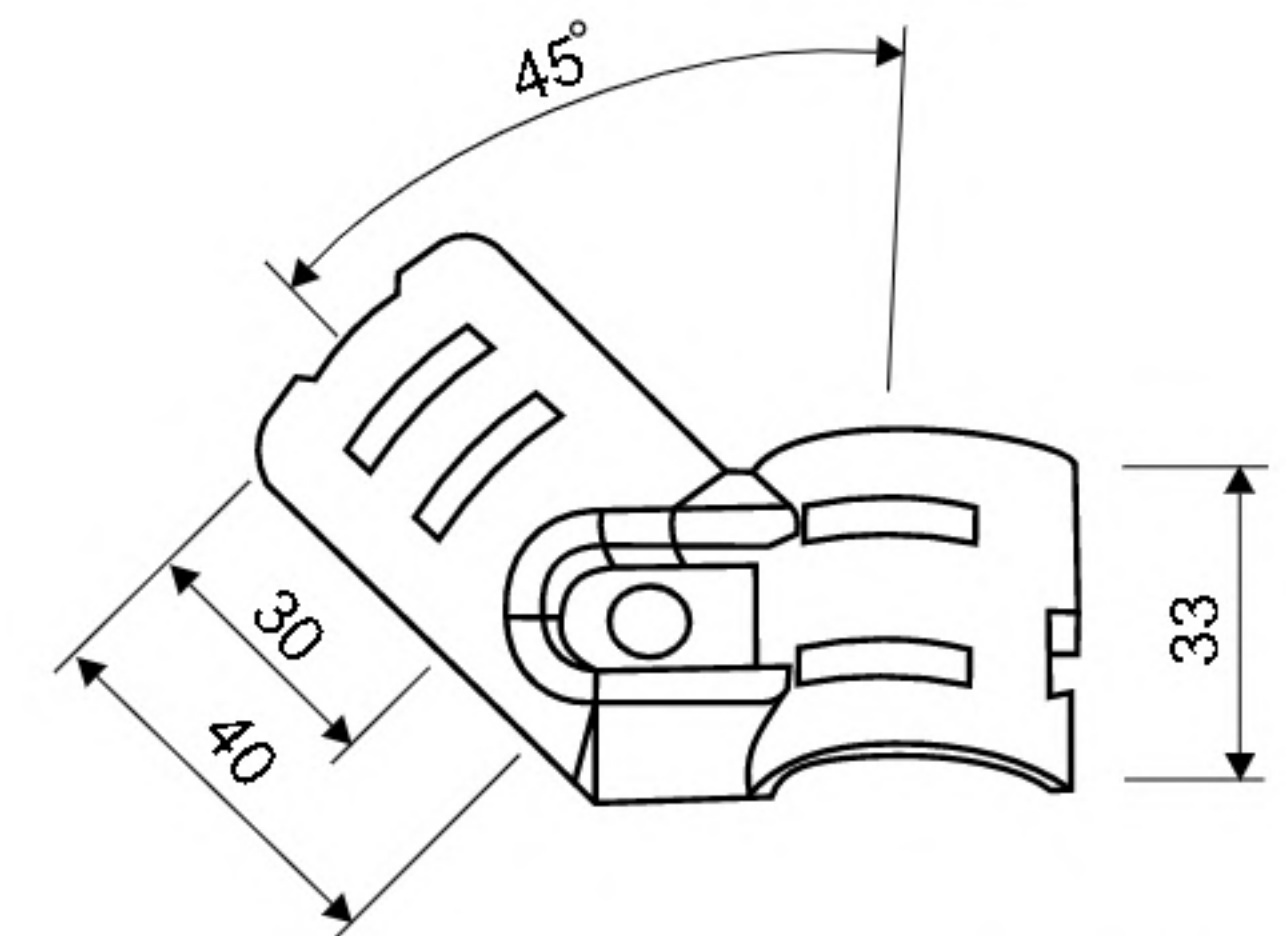
KG/ITEM 0.046
ITEM/PACK 400

H-16A



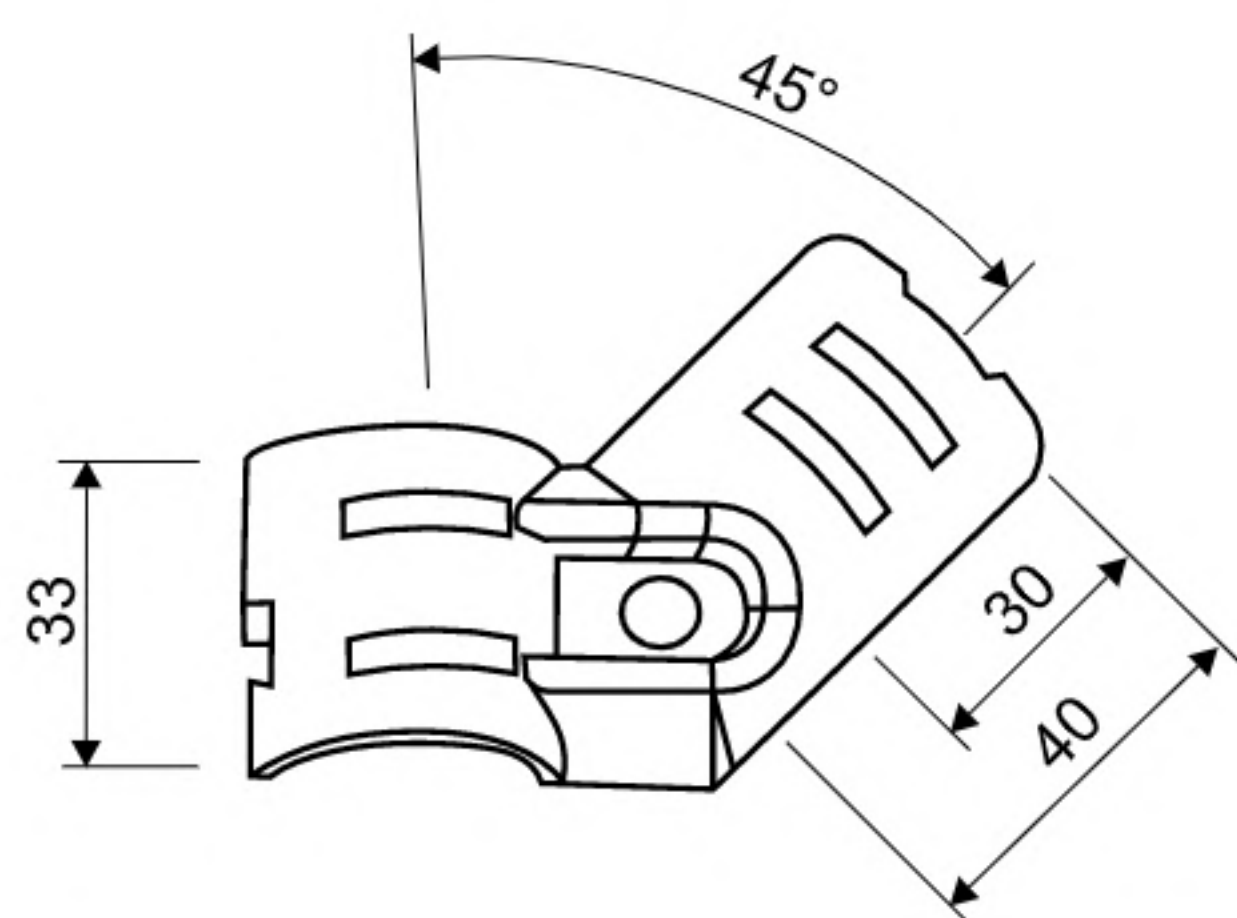
KG/ITEM 0.046
ITEM/PACK 400

H-17



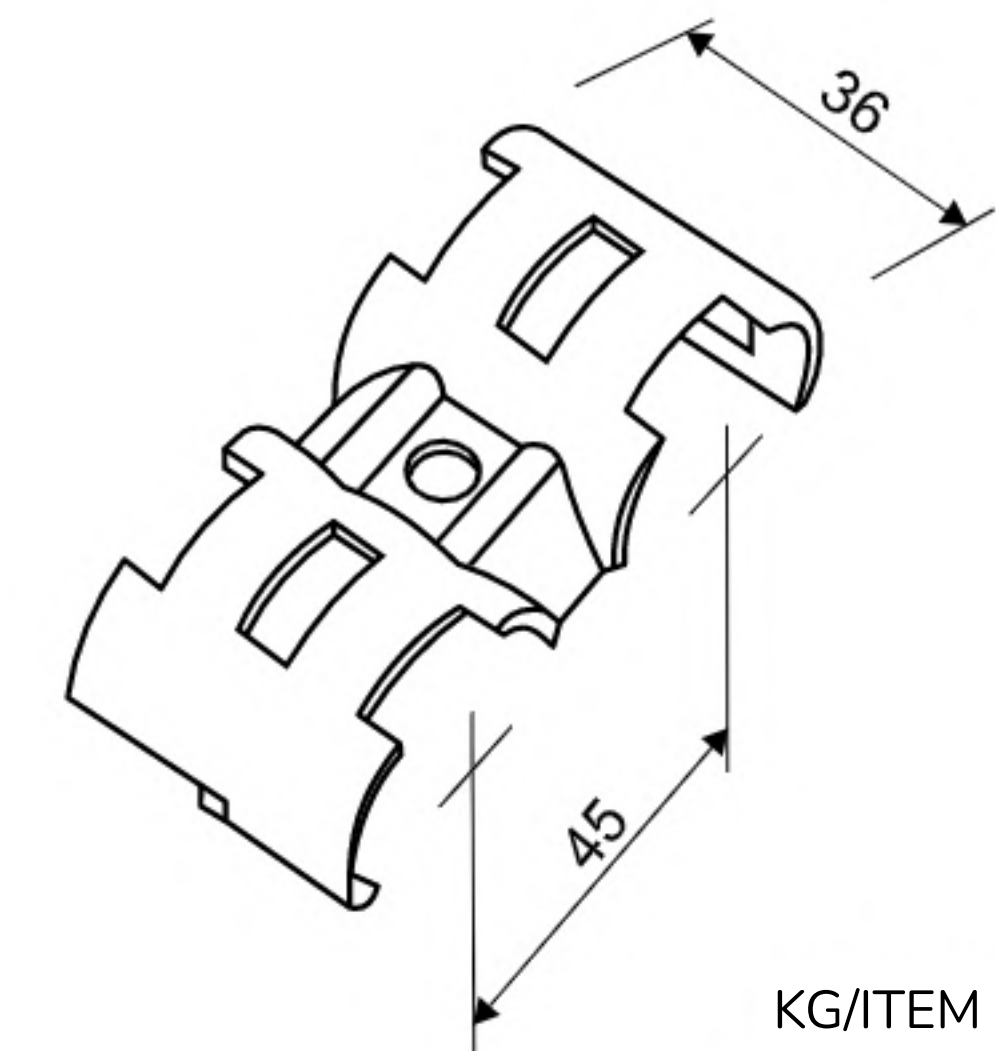
KG/ITEM 0.069
ITEM/PACK 220

H-18



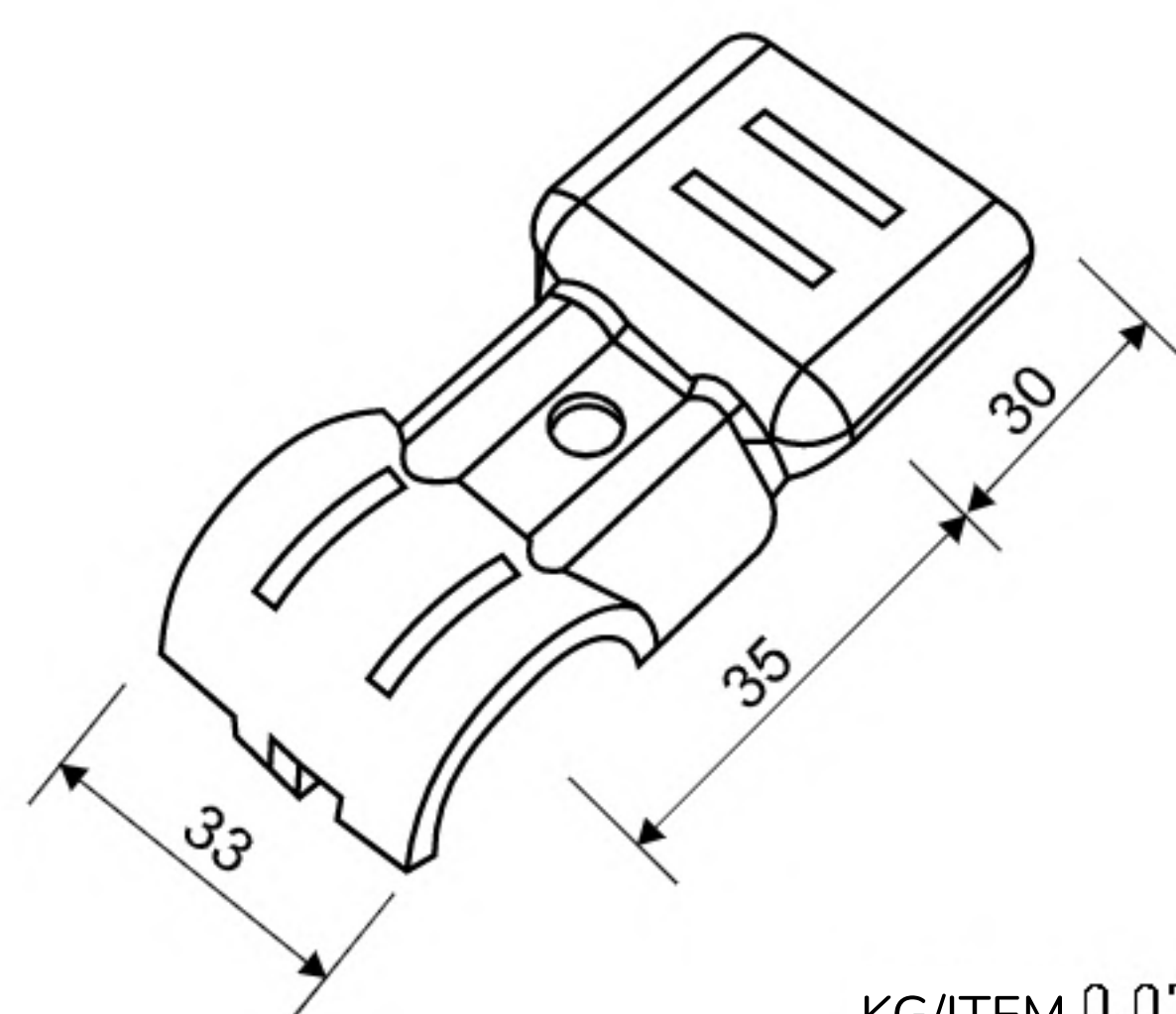
KG/ITEM 0.069
ITEM/PACK 220

H-19



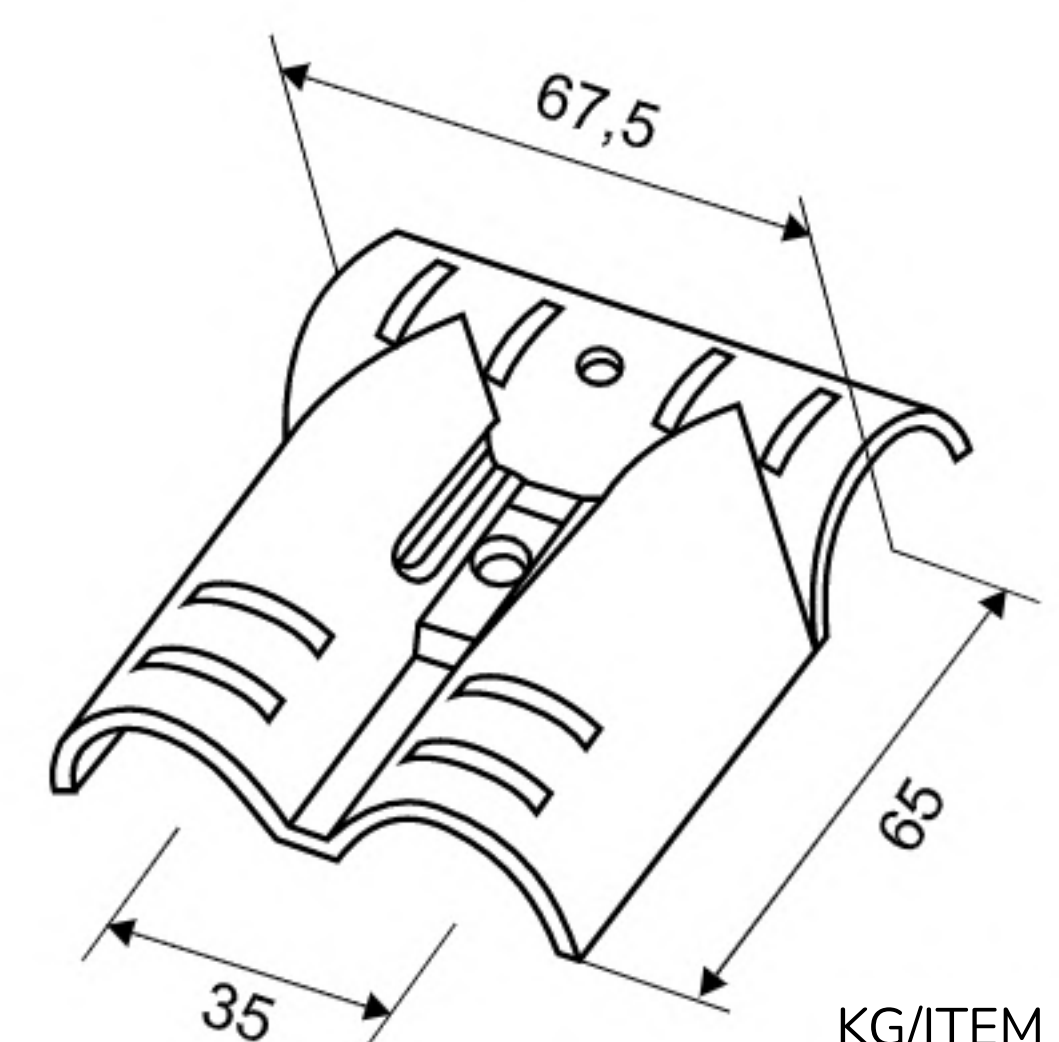
KG/ITEM 0.062
ITEM/PACK 150

H-20



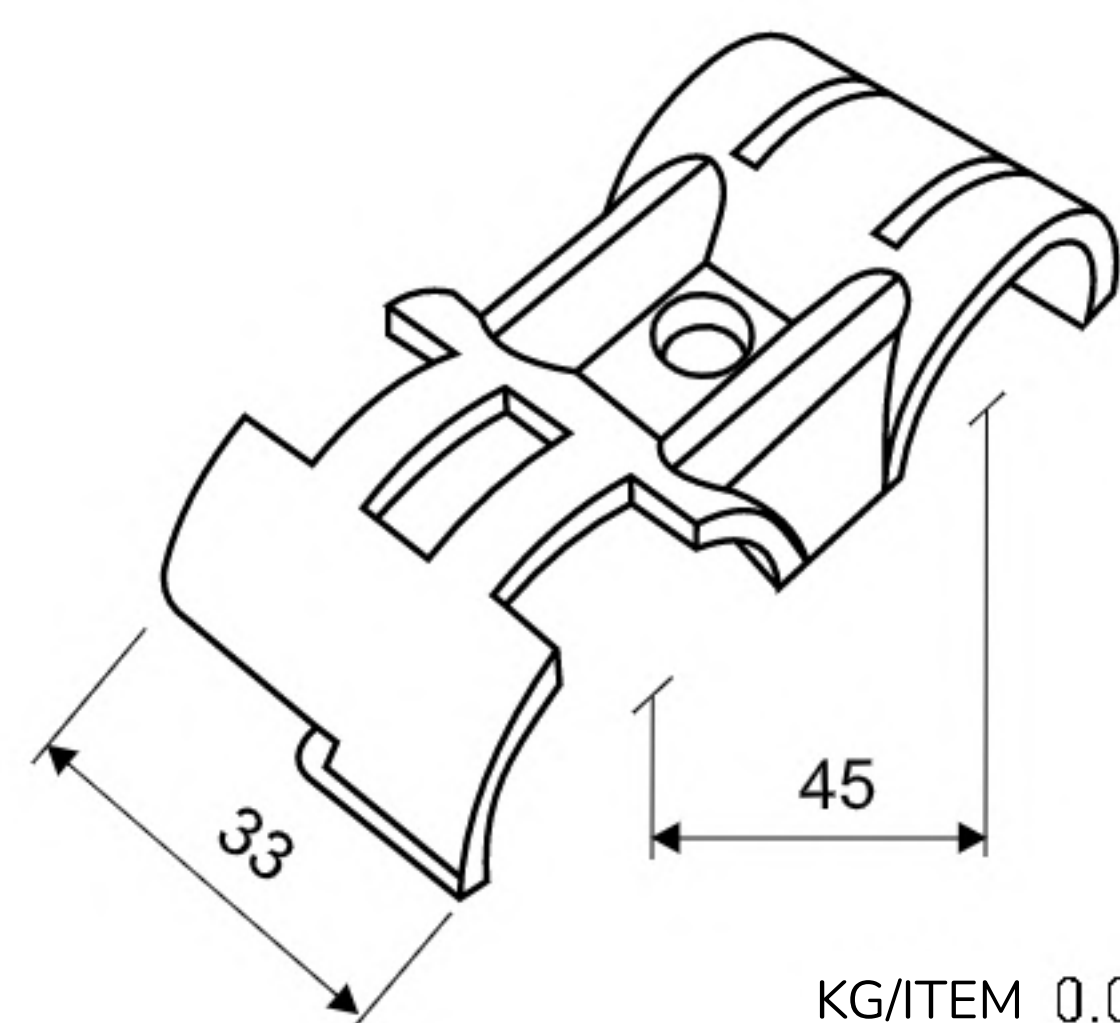
KG/ITEM 0.070
ITEM/PACK 200

H-21



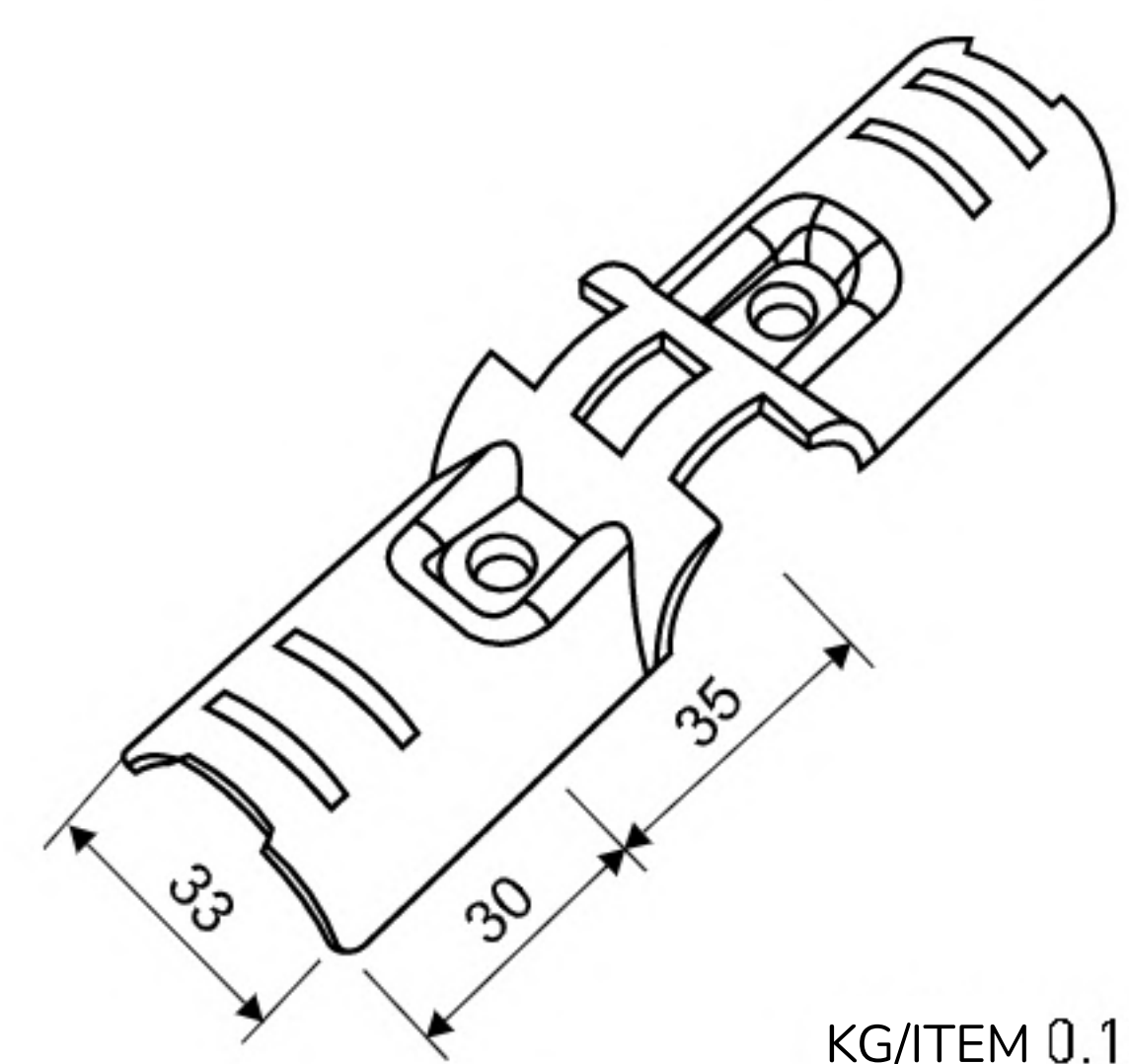
KG/ITEM 0.133
ITEM/PACK 150

H-23



KG/ITEM 0.064
ITEM/PACK 180

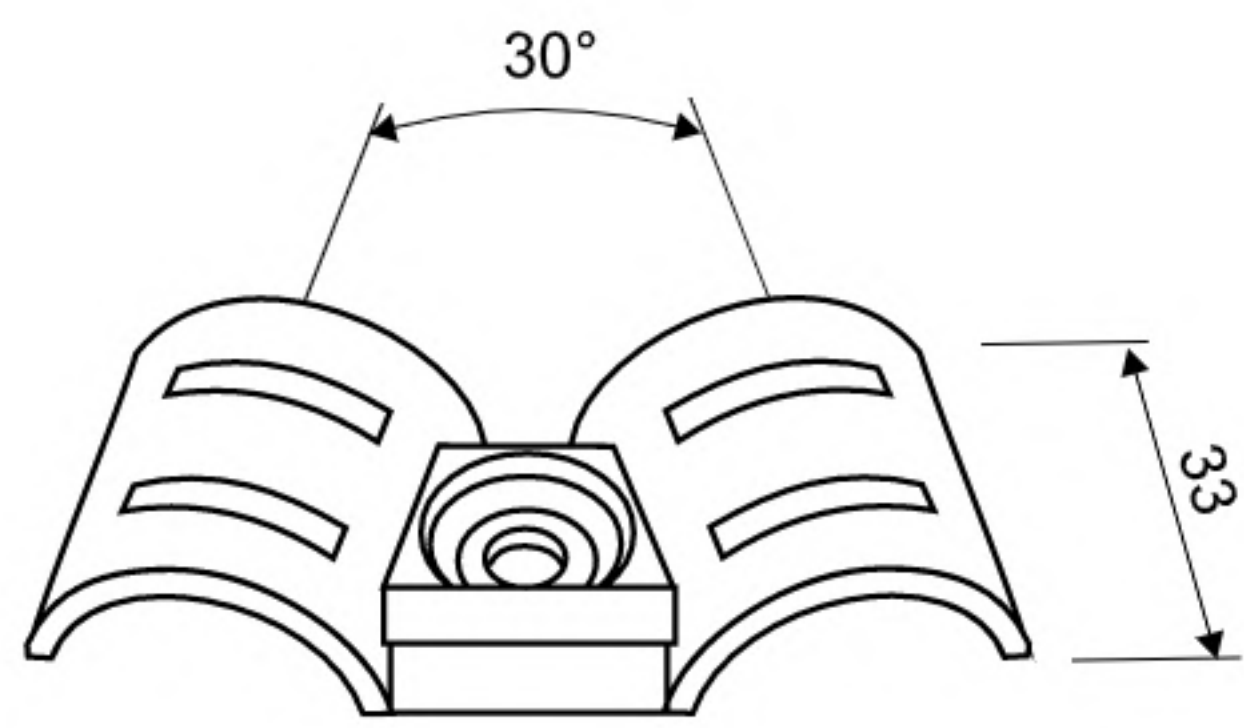
H-24



KG/ITEM 0.102
ITEM/PACK 200

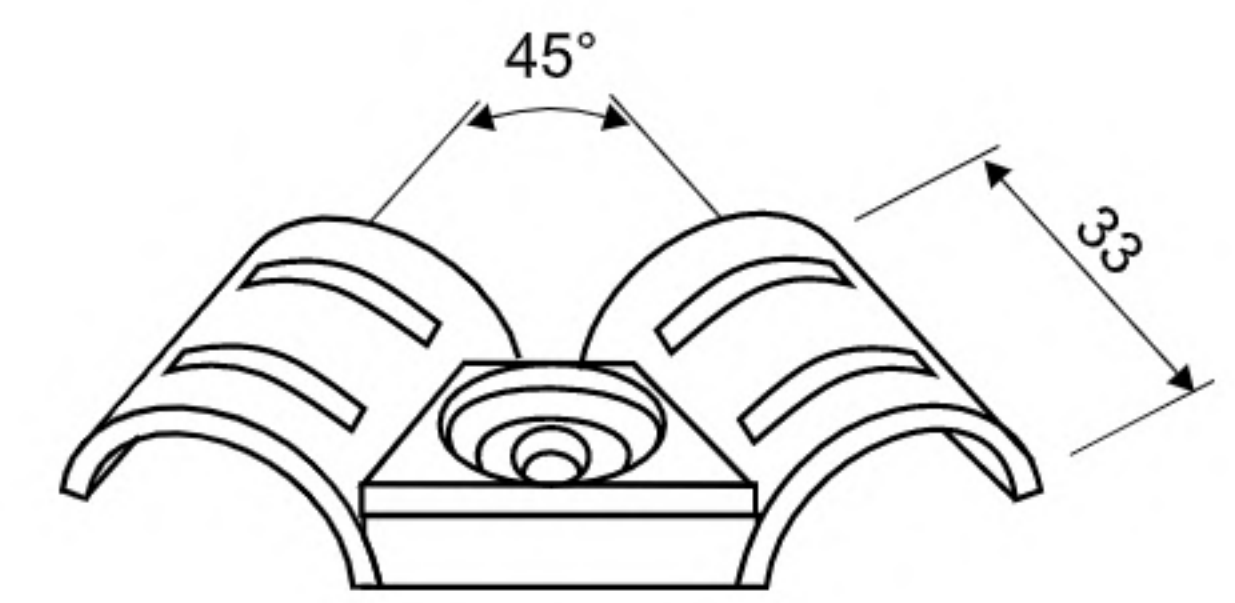
METAL JOINTS

H-30



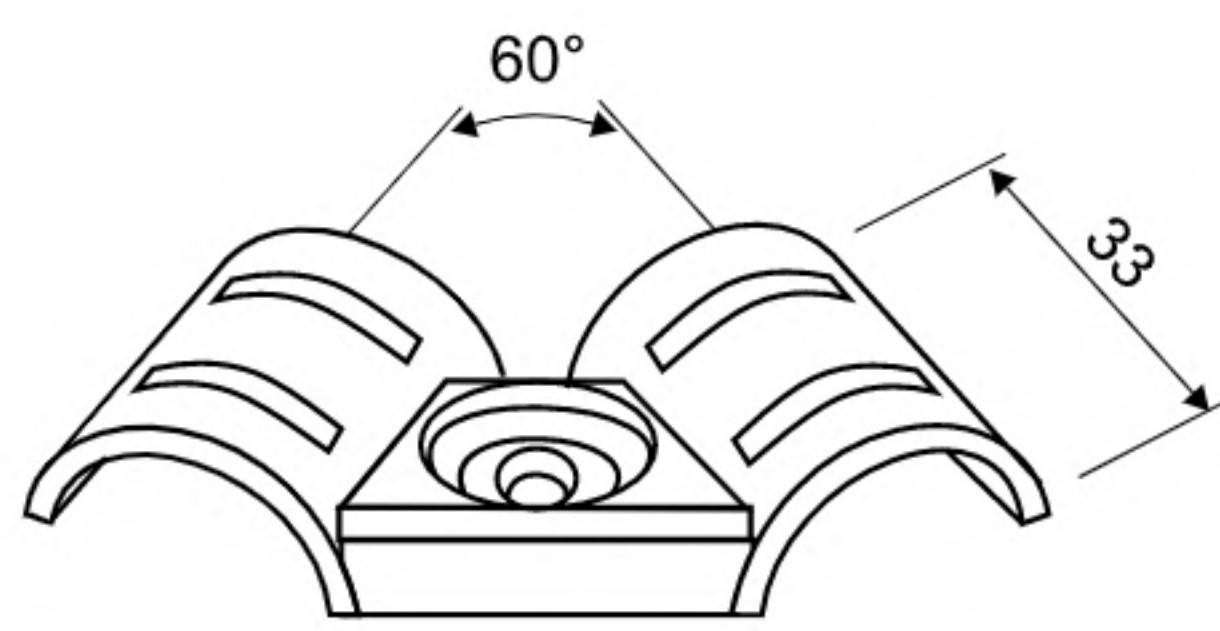
KG/ITEM 0.062
ITEM/PACK 330

H-45



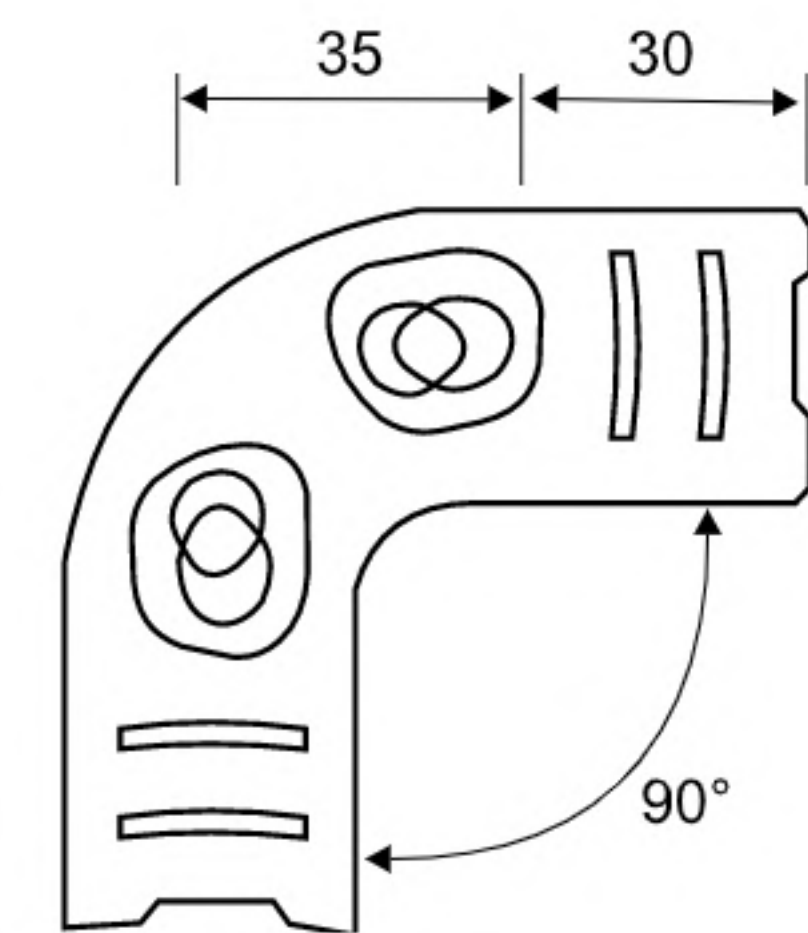
KG/ITEM 0.066
ITEM/PACK 230

H-60



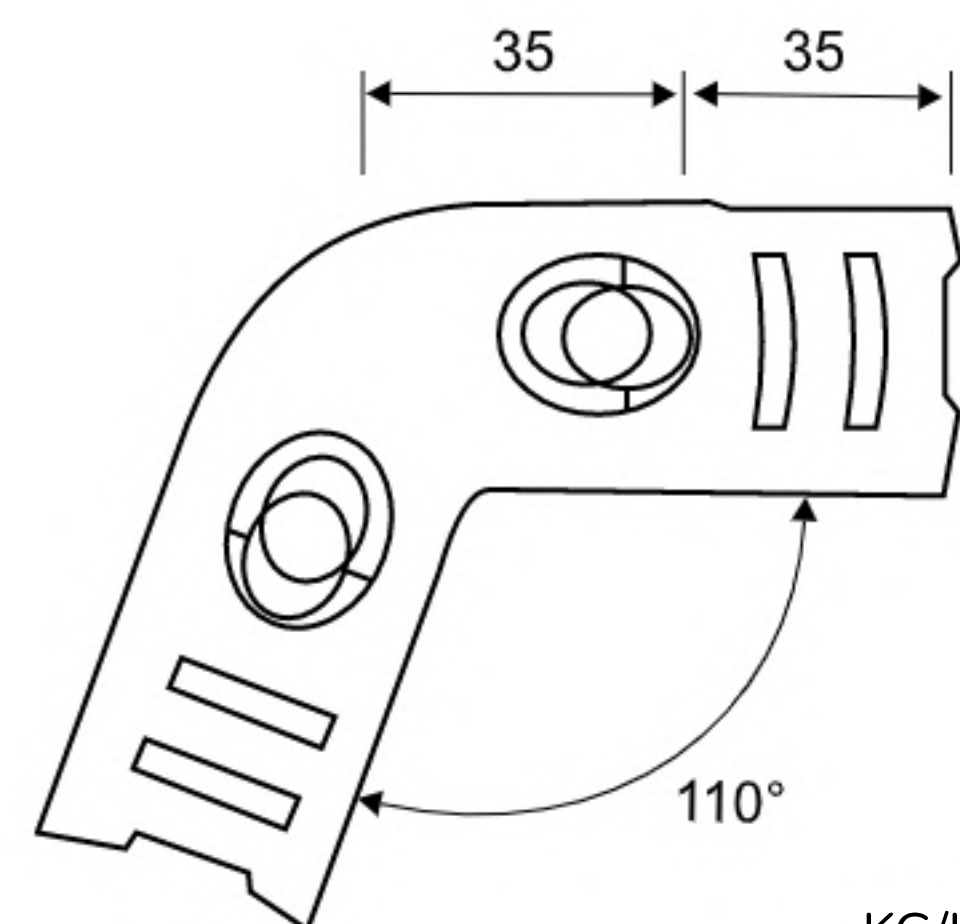
KG/ITEM 0.083
ITEM/PACK 150

H-90



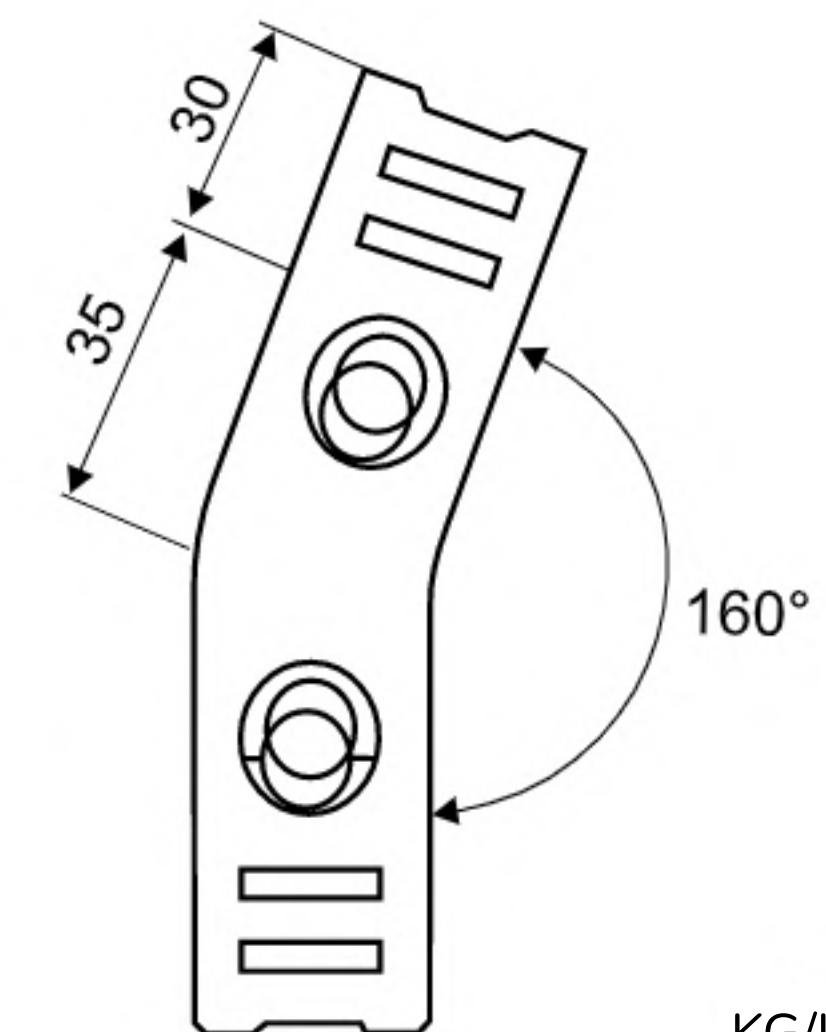
KG/ITEM 0.102
ITEM/PACK 150

H-110



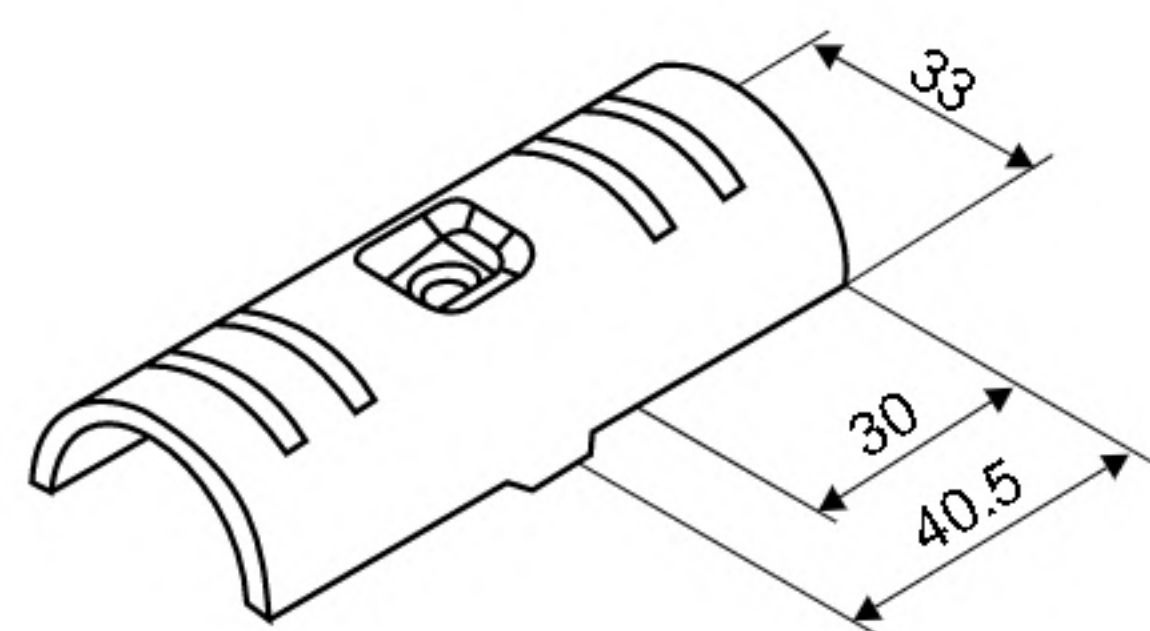
KG/ITEM 0.113
ITEM/PACK 150

H-160



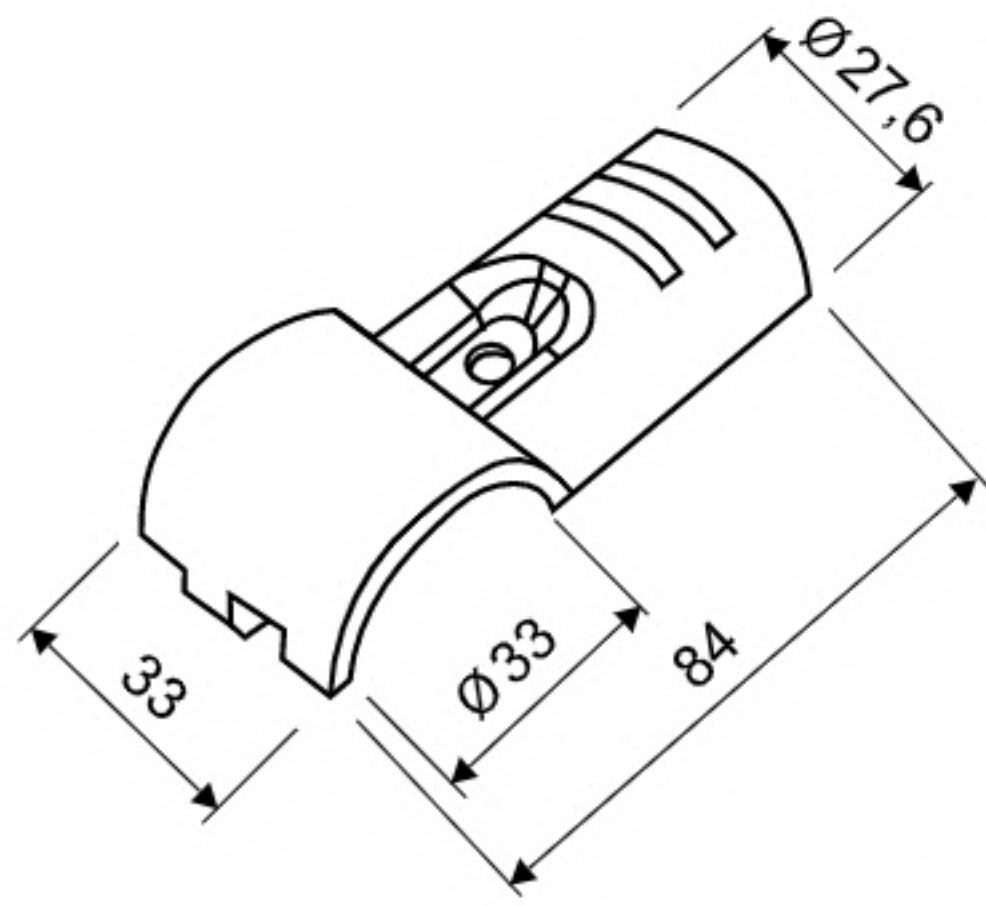
KG/ITEM 0.114
ITEM/PACK 160

H-180



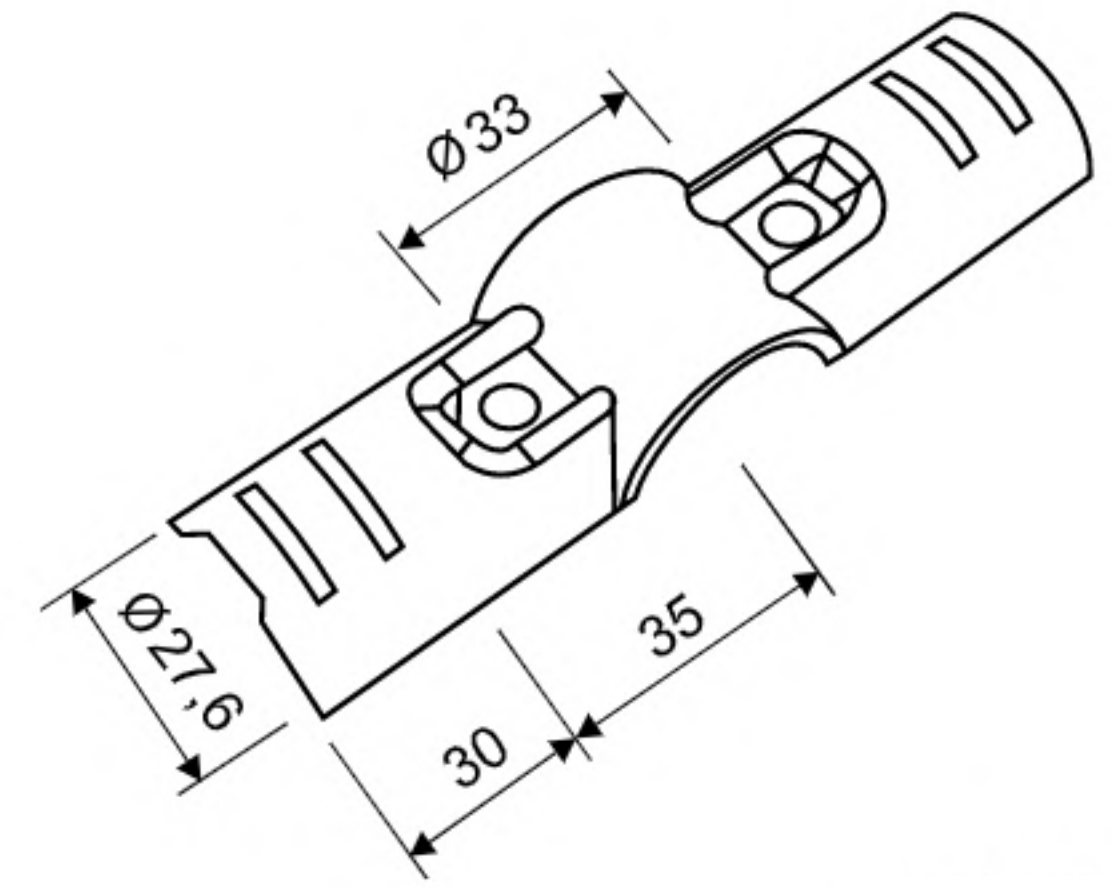
KG/ITEM 0.071
ITEM/PACK 300

H-103



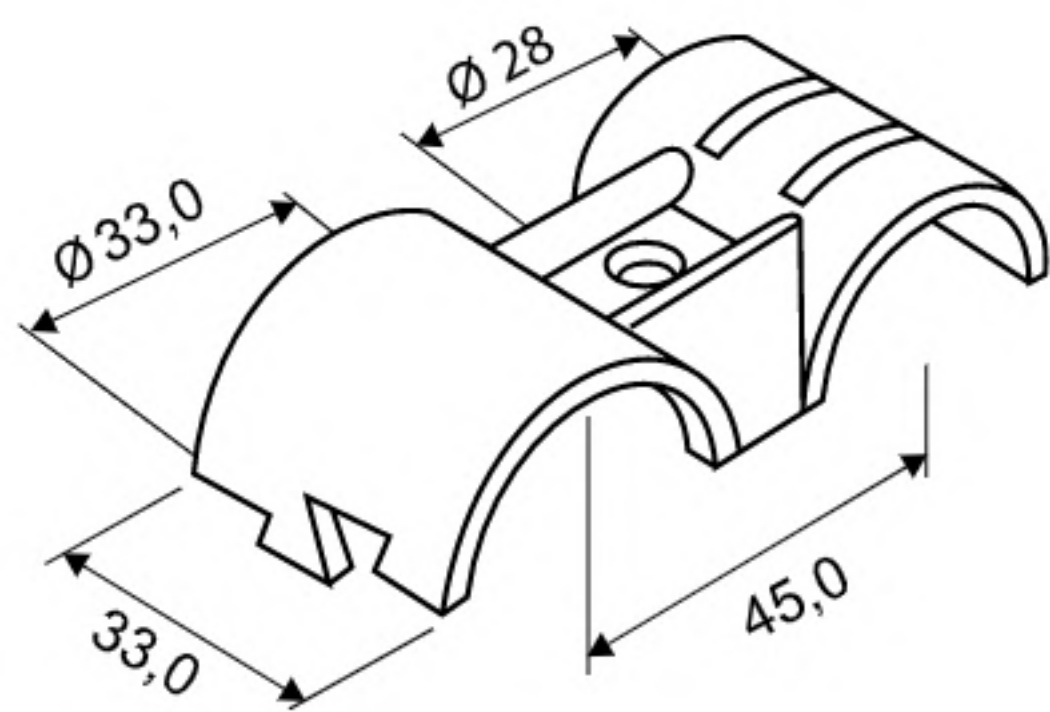
KG/ITEM 0.073
ITEM/PACK 240

H-403



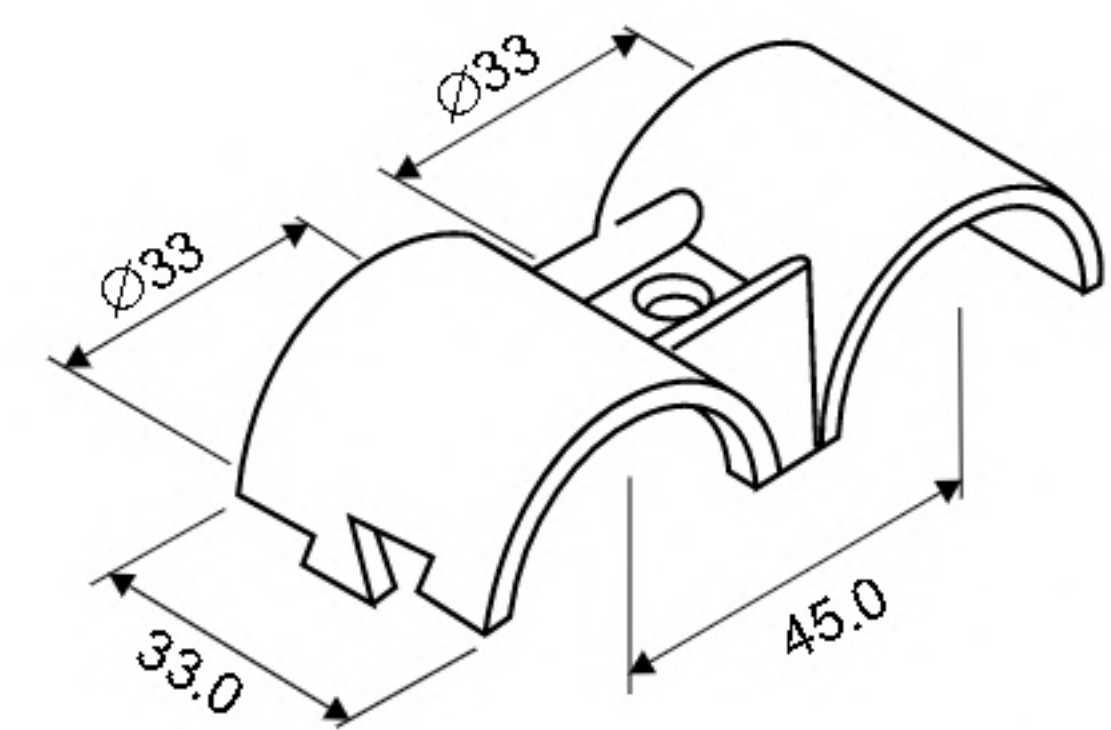
KG/ITEM 0.106
ITEM/PACK 200

H-13C



KG/ITEM 0.069
ITEM/PACK 180

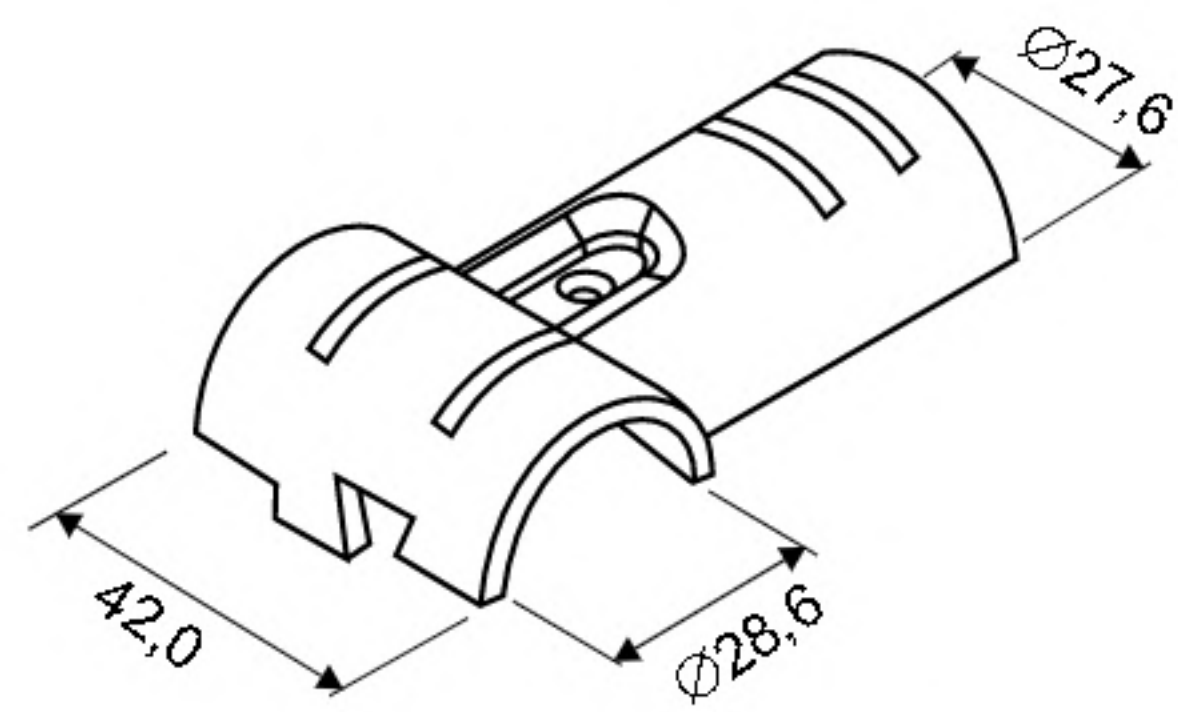
H-13D



KG/ITEM 0.068
ITEM/PACK 180

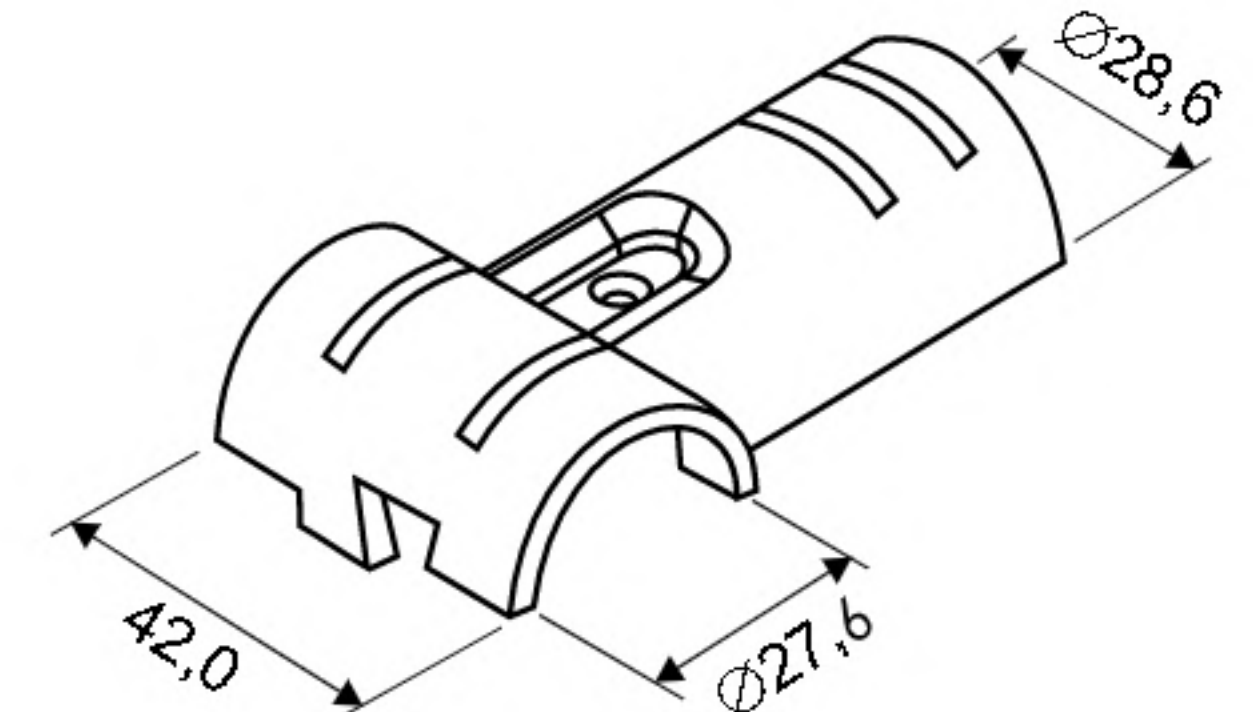
METAL JOINTS Ø28,6

H-101



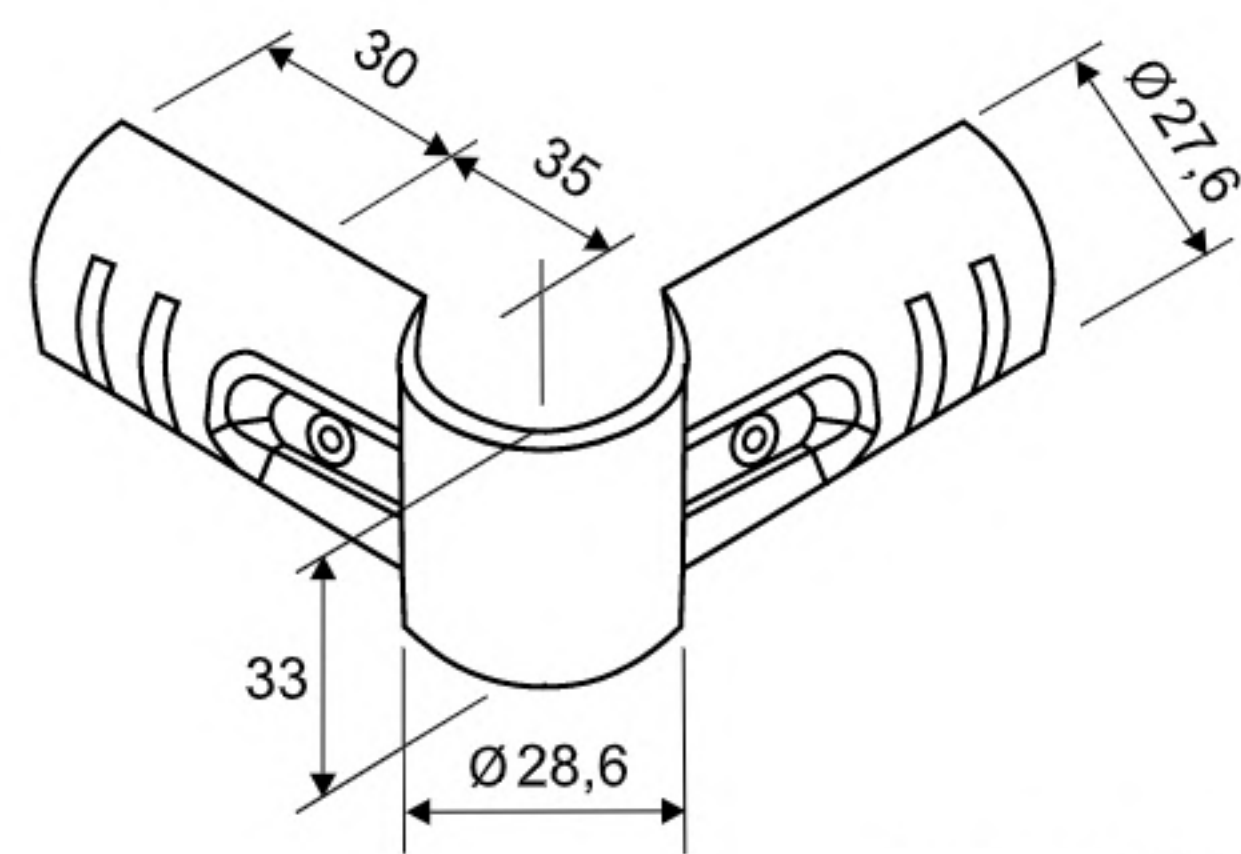
KG/ITEM 0.078
ITEM/PACK 200

H-102



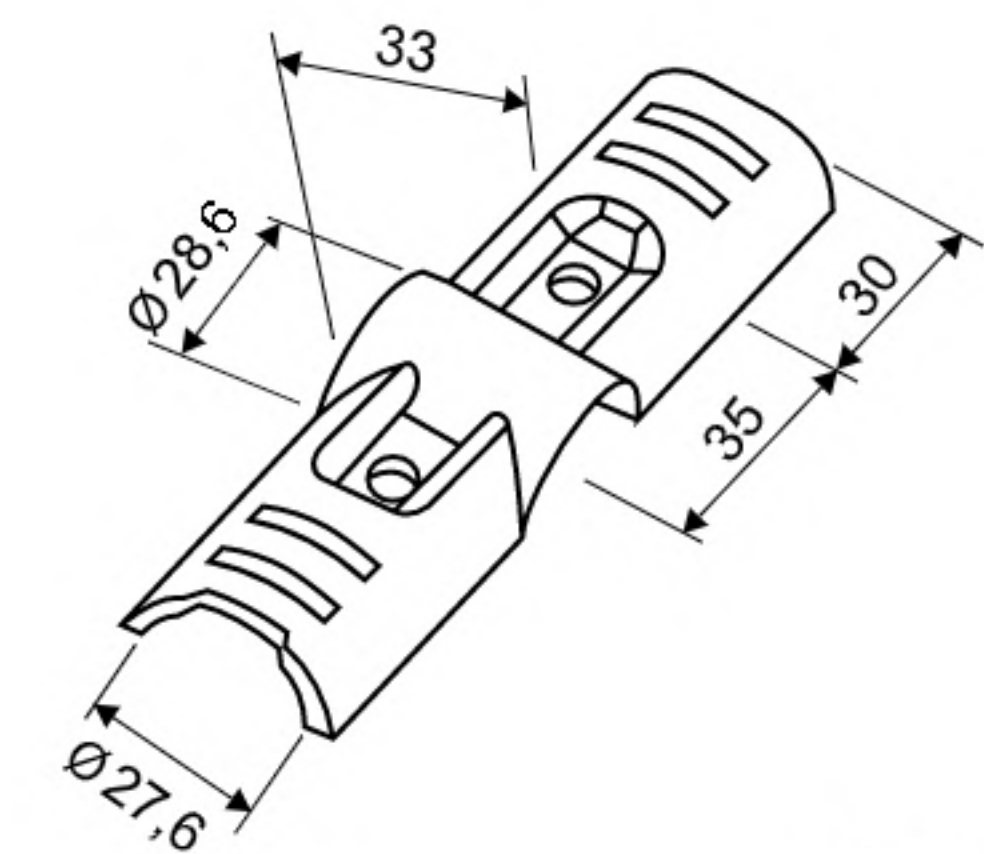
KG/ITEM 0.078
ITEM/PACK 200

H-301



KG/ITEM 0.120
ITEM/PACK 80

H-401



KG/ITEM 0.106
ITEM/PACK 200

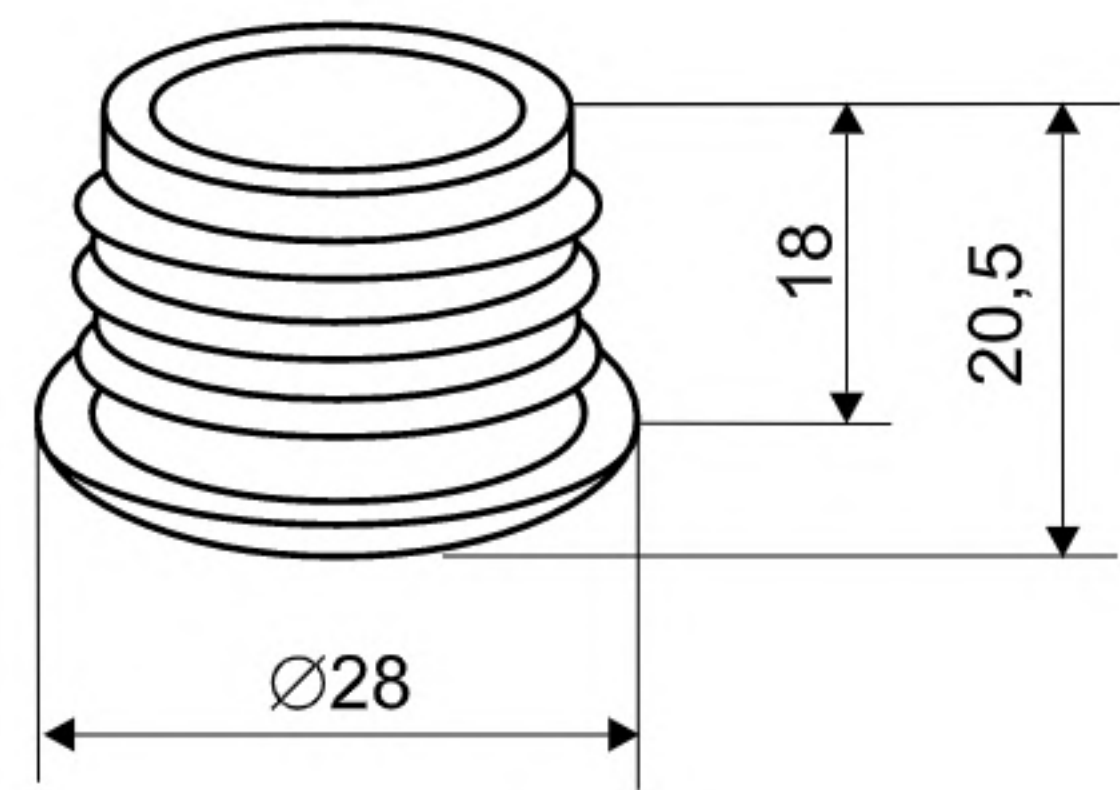
P SERIES

PLASTIC
ACCESSORIES



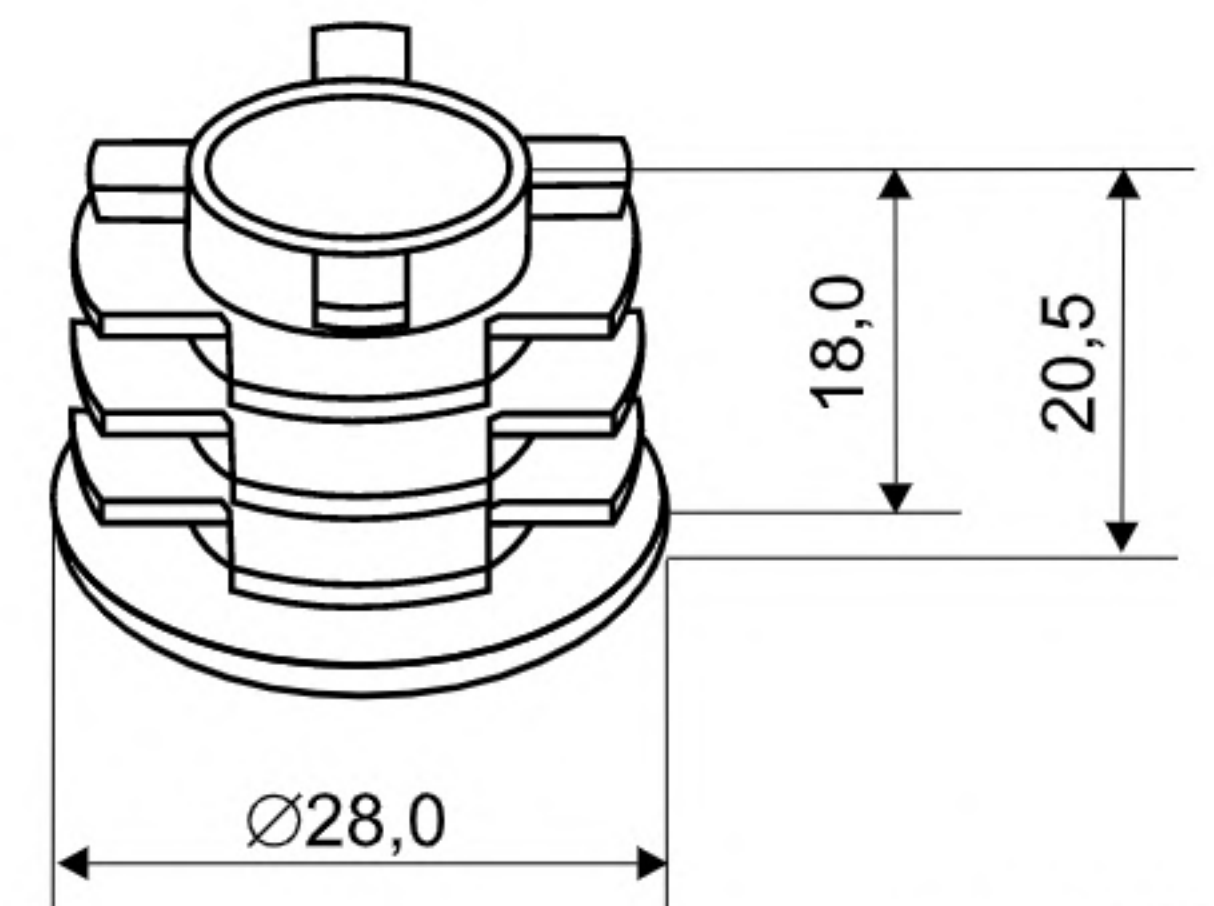
PLASTIC ACCESSORIES

P-1



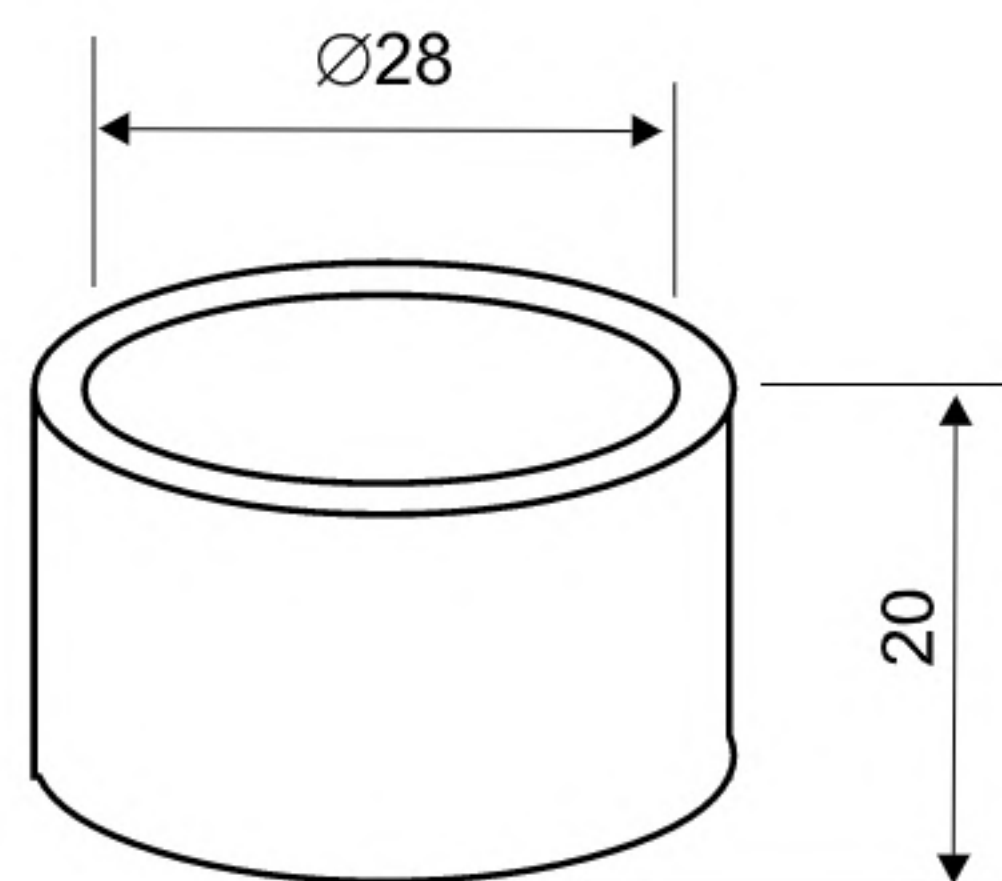
KG/ITEM 0.003
ITEM/PACK 400

P-1A



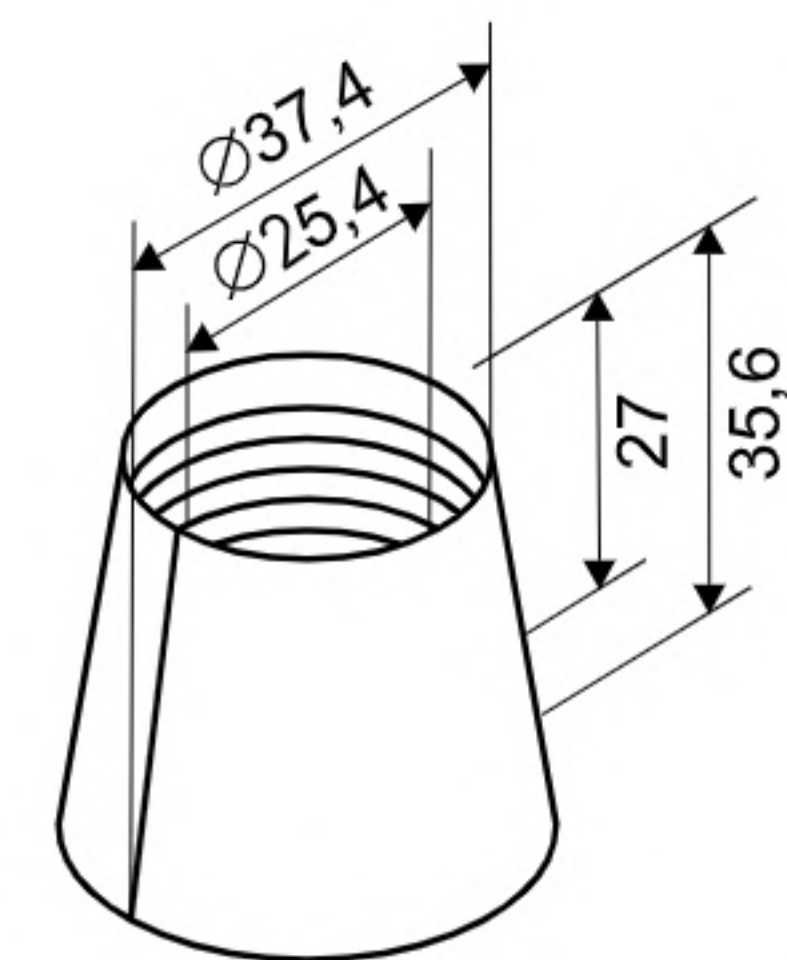
KG/ITEM 0.003
ITEM/PACK 400

P-2



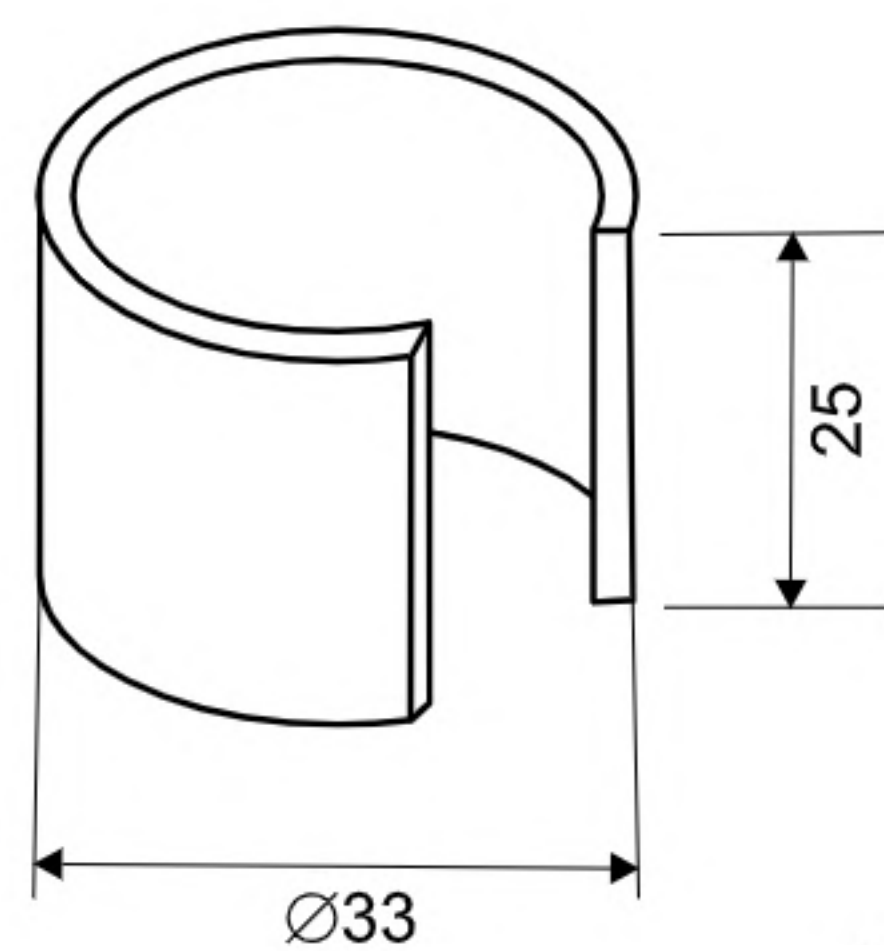
KG/ITEM 0.009
ITEM/PACK 200

P-2A



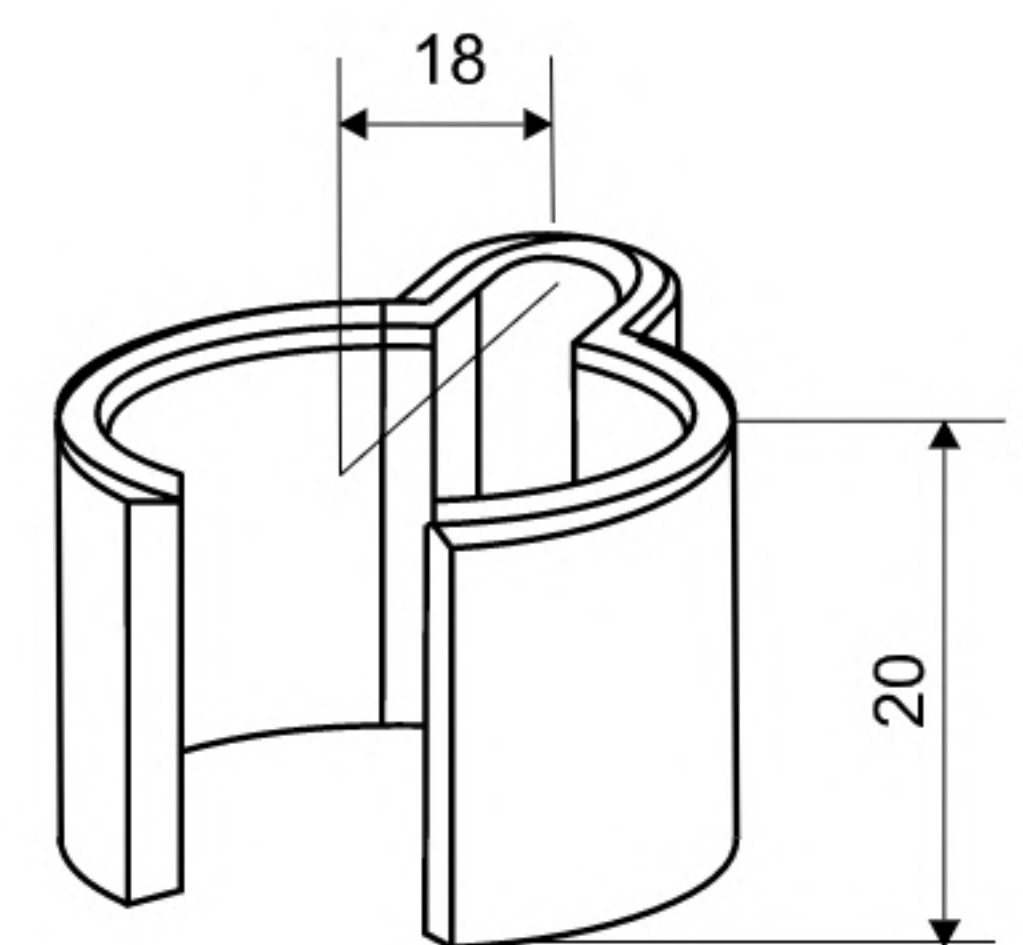
KG/ITEM 0.017
ITEM/PACK 100

P-3



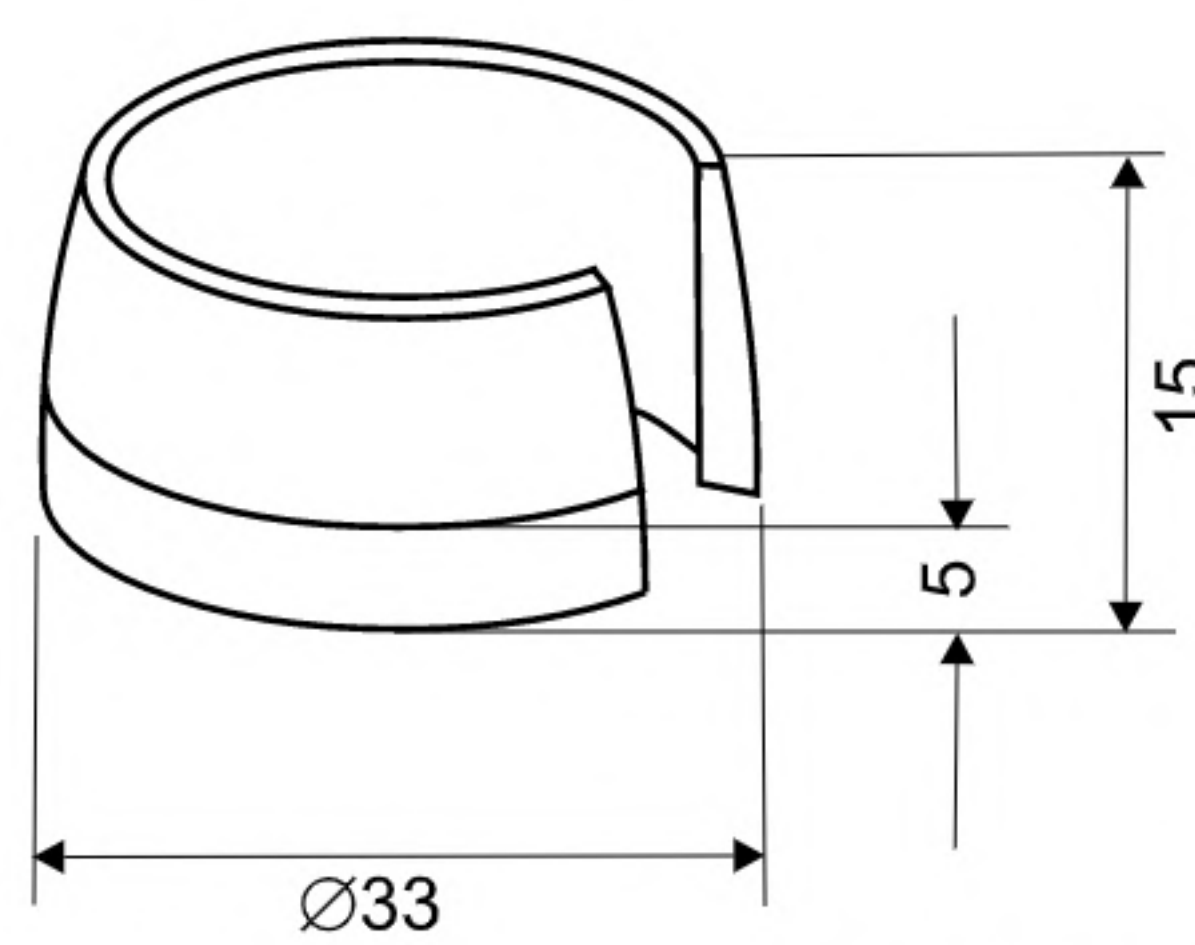
KG/ITEM 0.005
ITEM/PACK 300

P-4



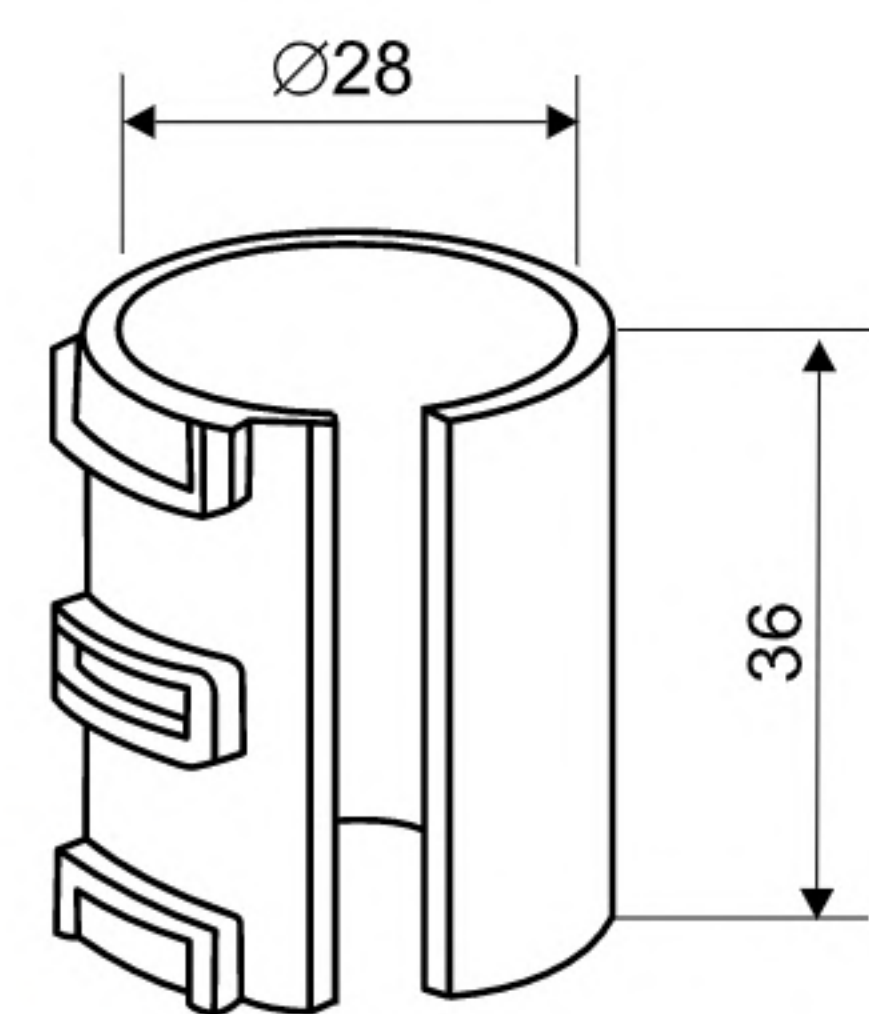
KG/ITEM 0.005
ITEM/PACK 300

P-5



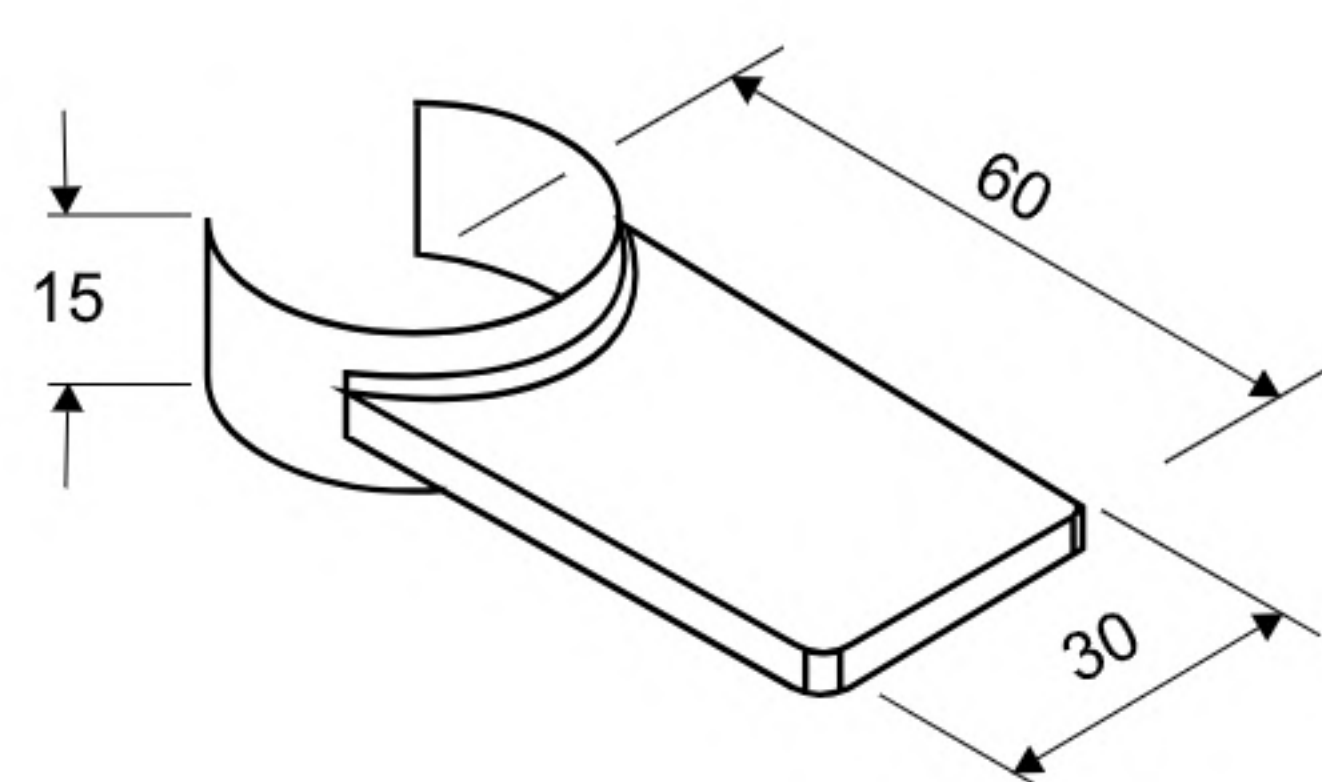
KG/ITEM 0.003
ITEM/PACK 500

P-6



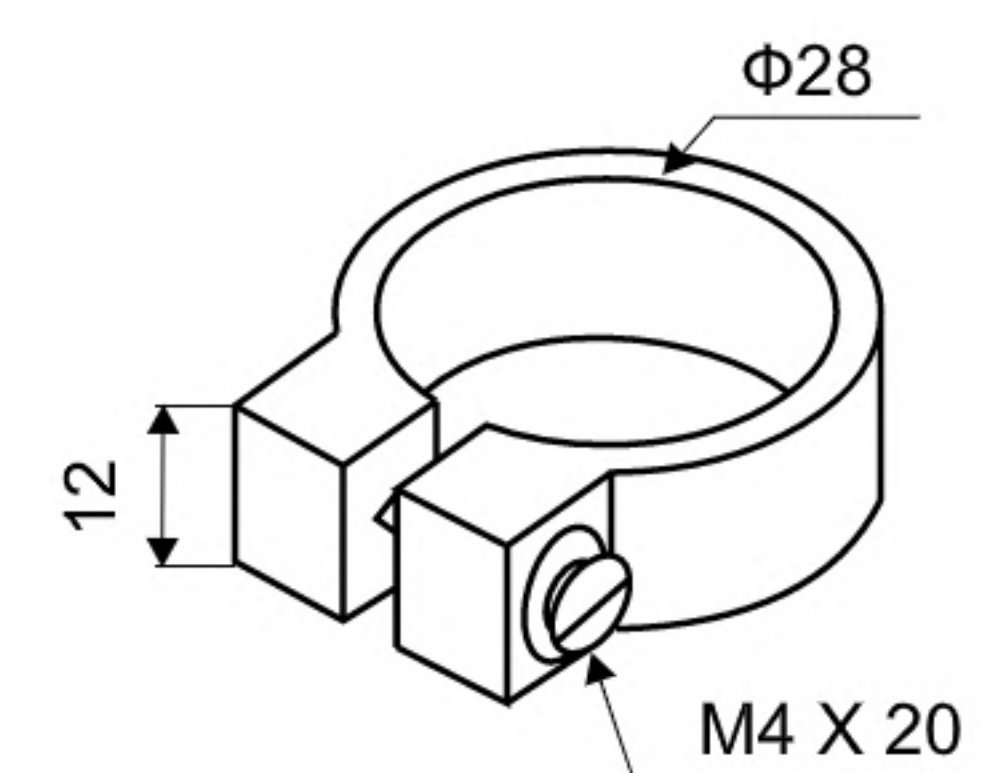
KG/ITEM 0.006
ITEM/PACK 150

P-7



KG/ITEM 0.010
ITEM/PACK 200

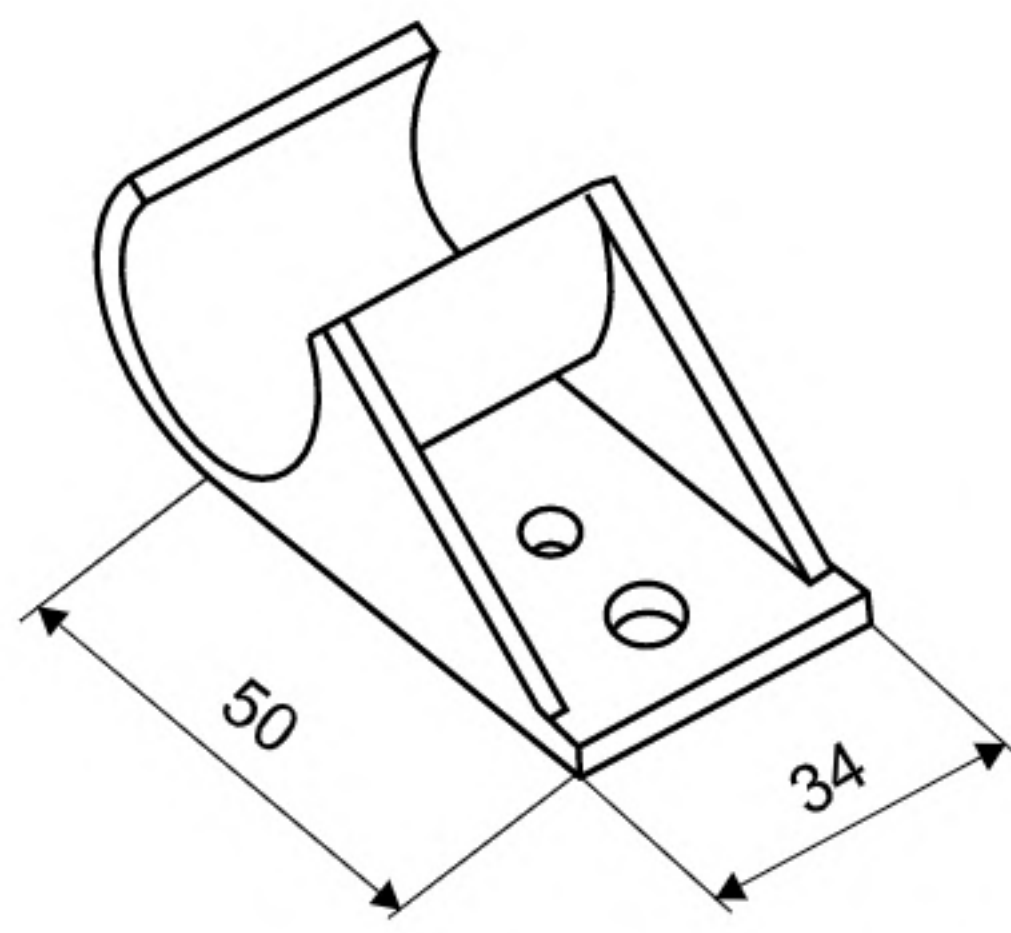
P-8



KG/ITEM 0.005
ITEM/PACK 300

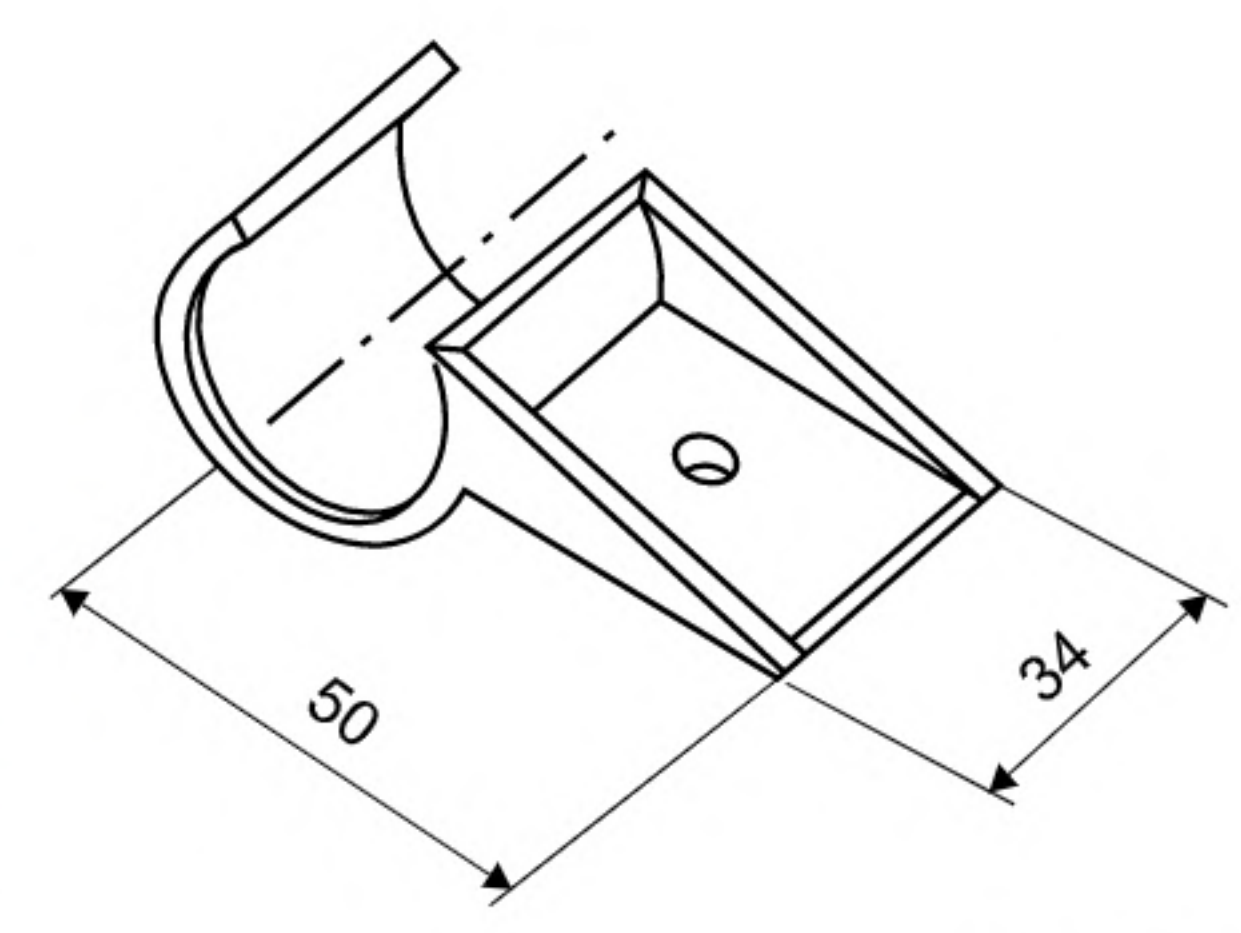
PLASTIC ACCESSORIES

P-9



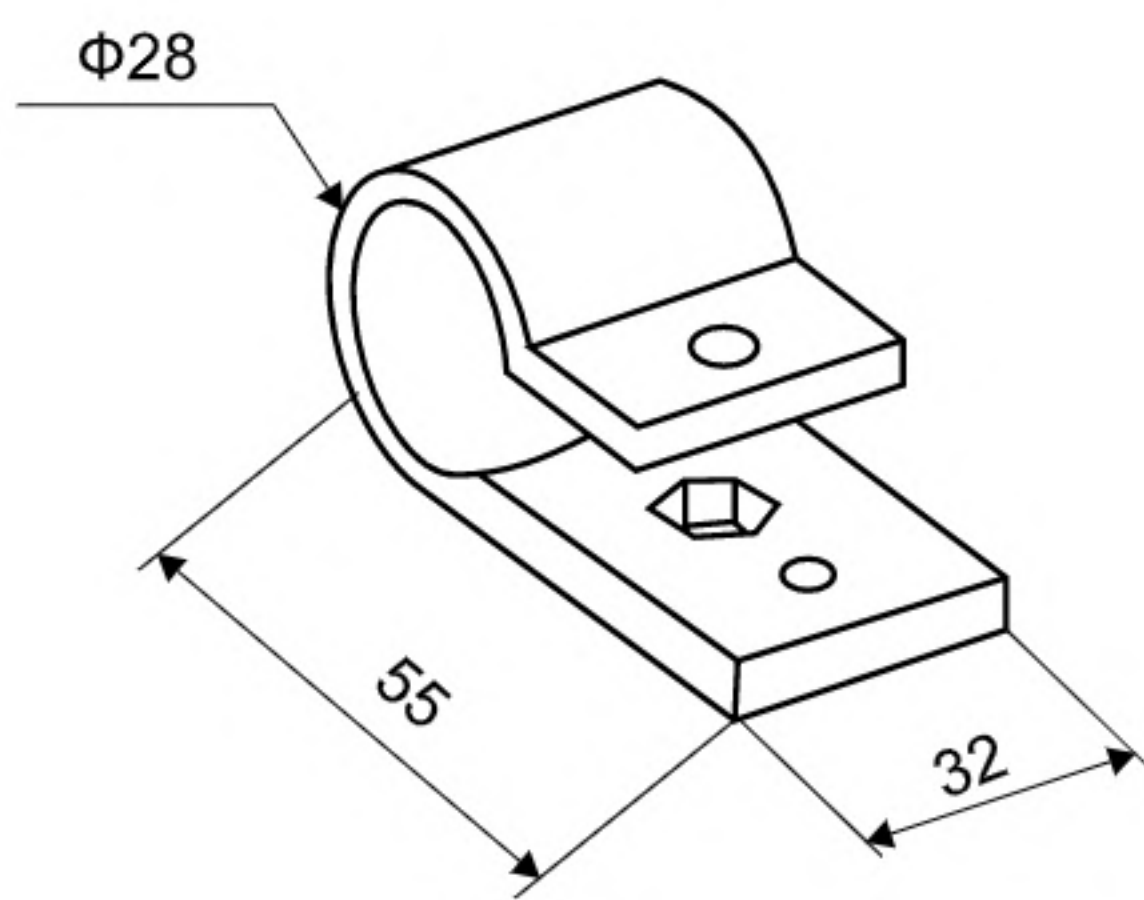
KG/ITEM 0.014
ITEM/PACK 100

P-10



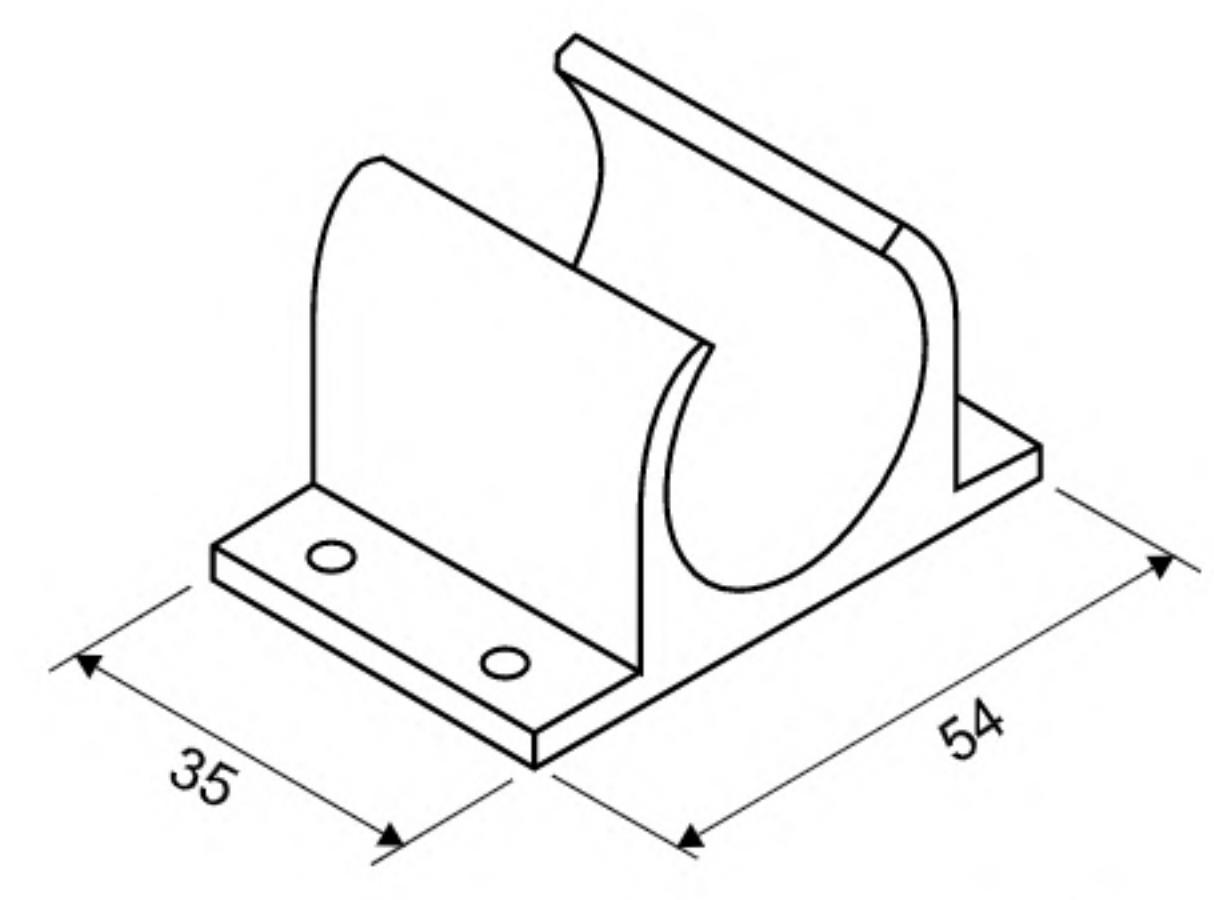
KG/ITEM 0.014
ITEM/PACK 100

P-11



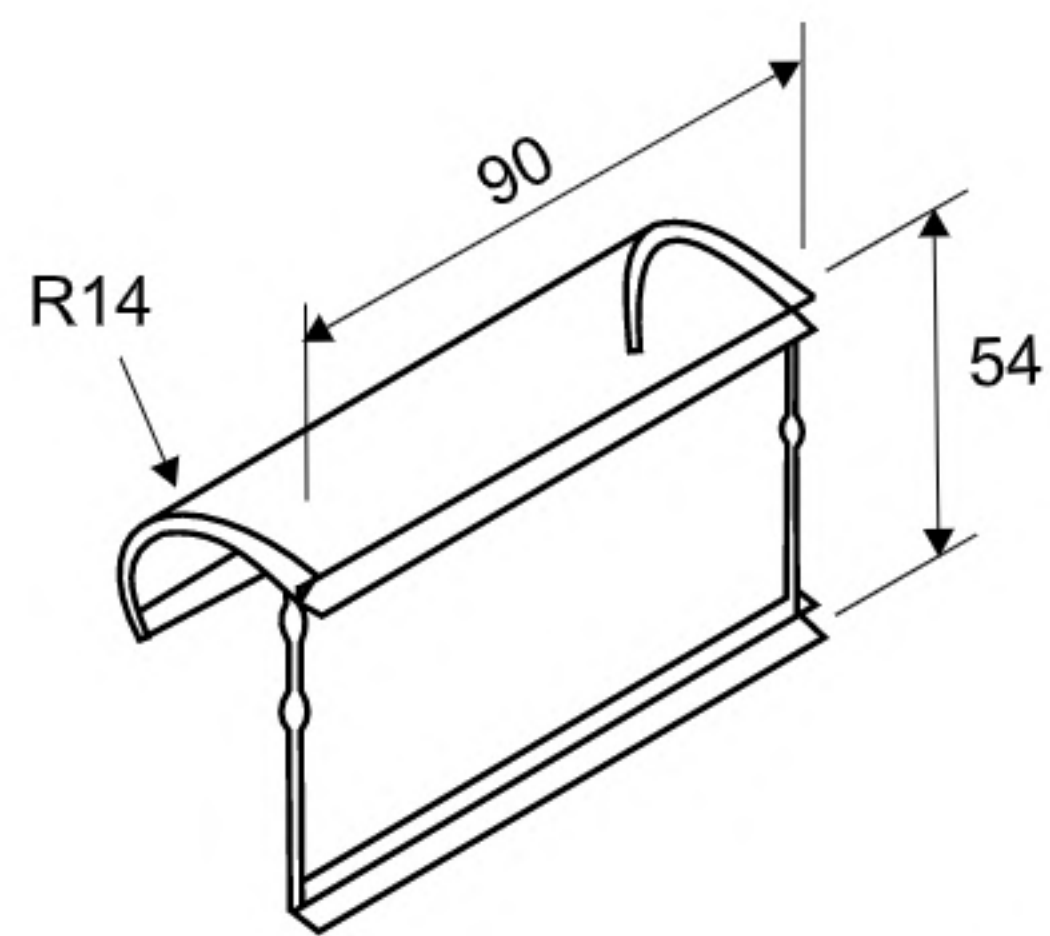
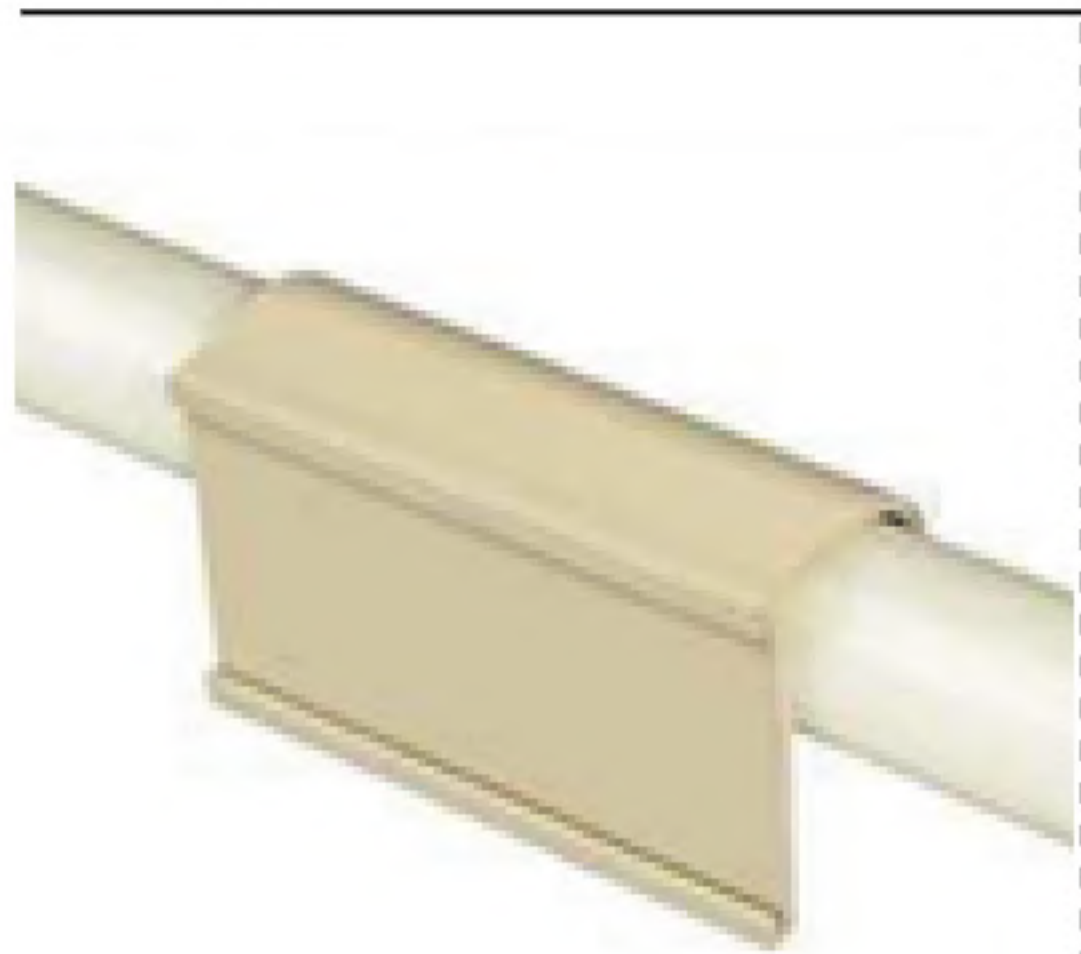
KG/ITEM 0.018
ITEM/PACK 100

P-13



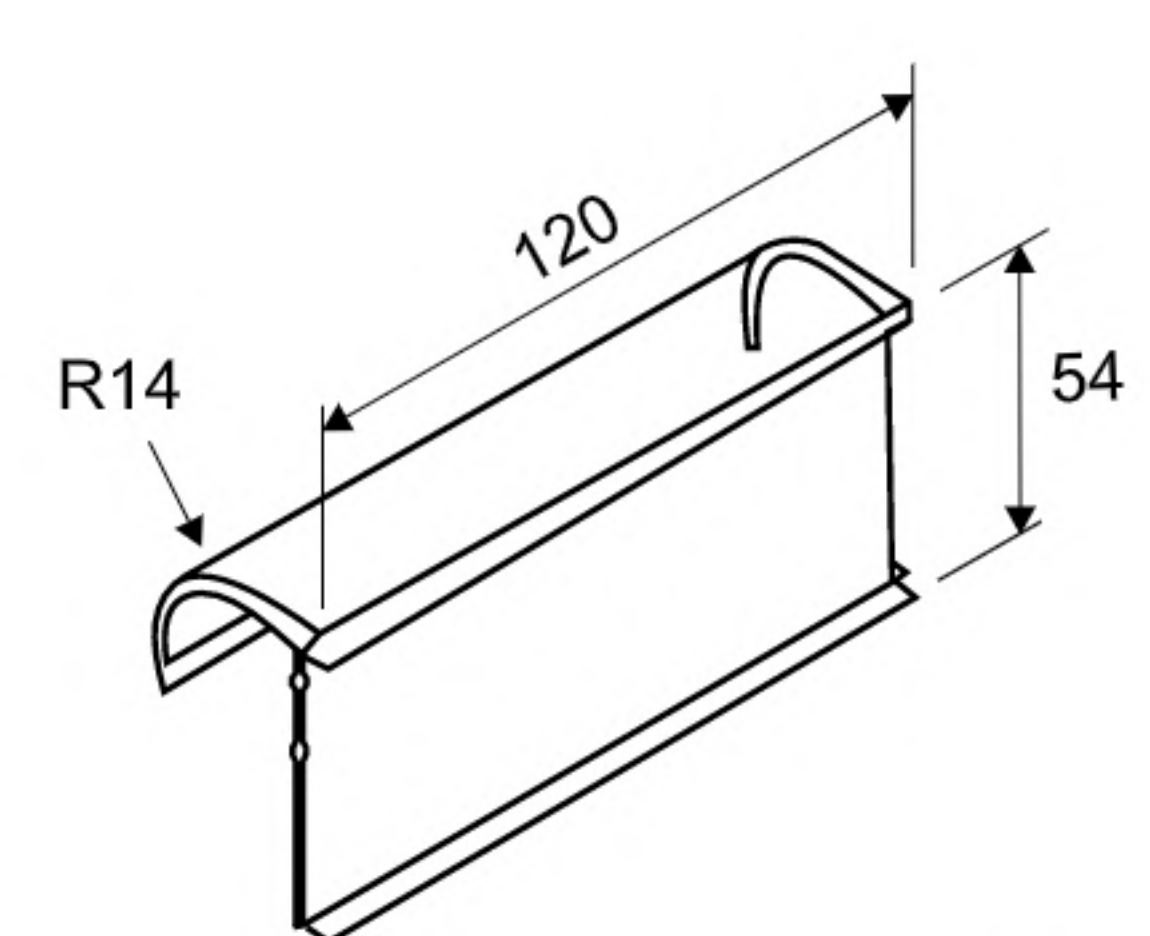
KG/ITEM 0.014
ITEM/PACK 100

P-L1



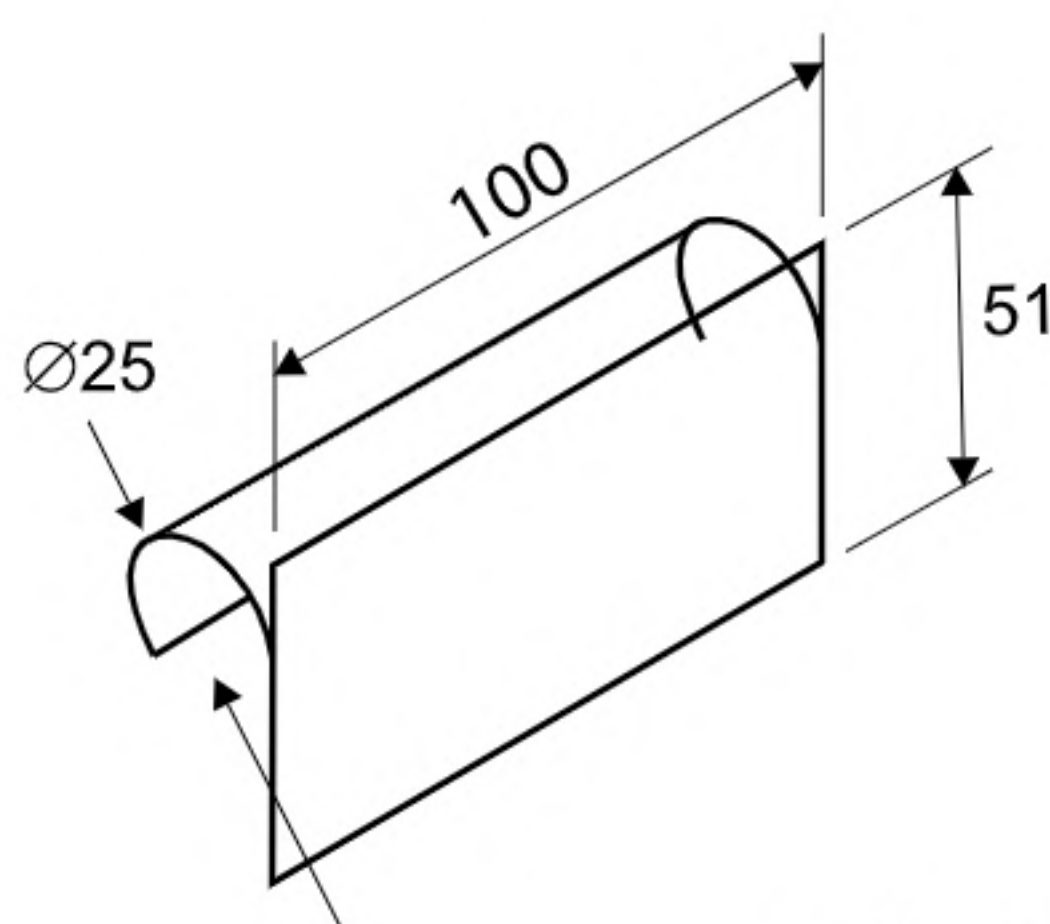
KG/ITEM 0.040
ITEM/PACK 100

P-L1A



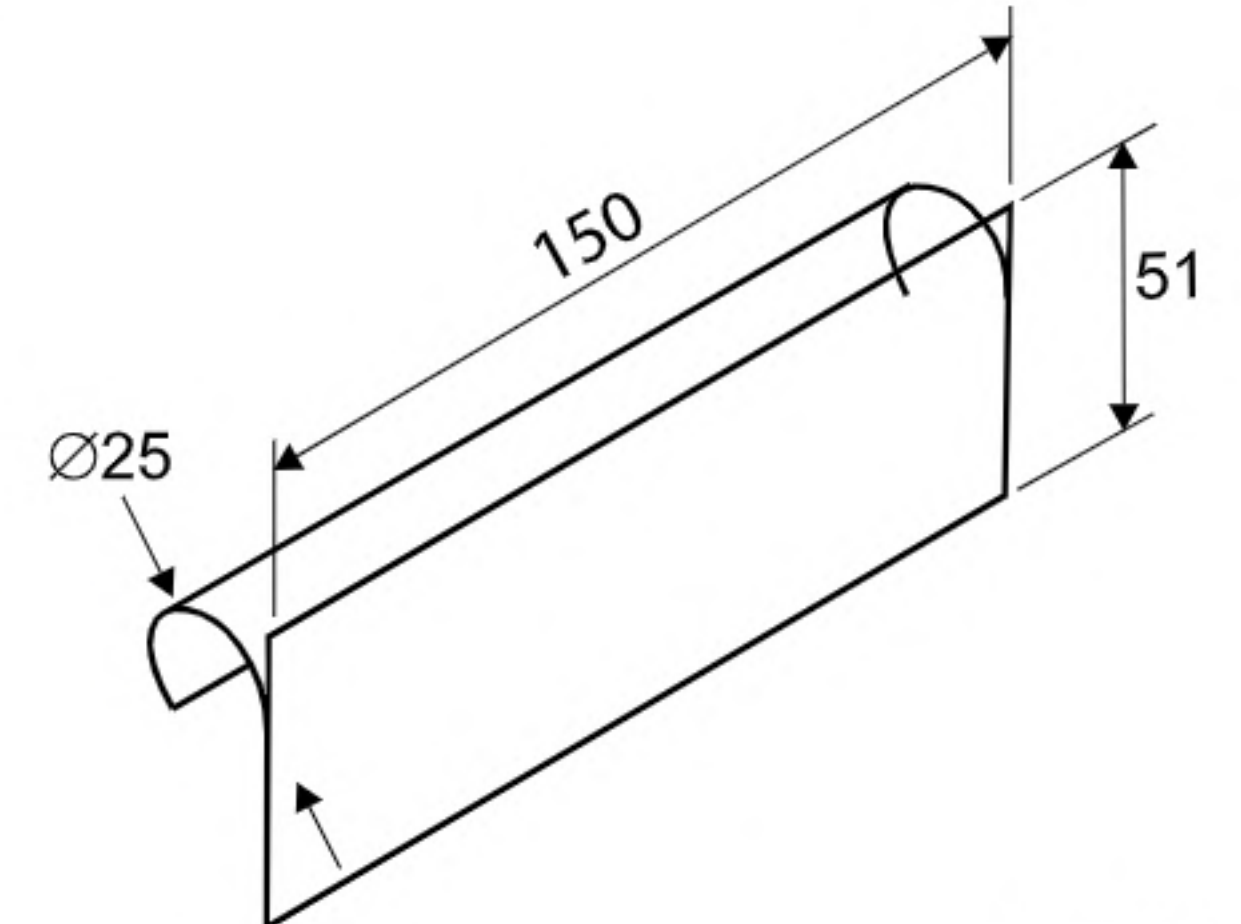
KG/ITEM 0.053
ITEM/PACK 50

P-L2



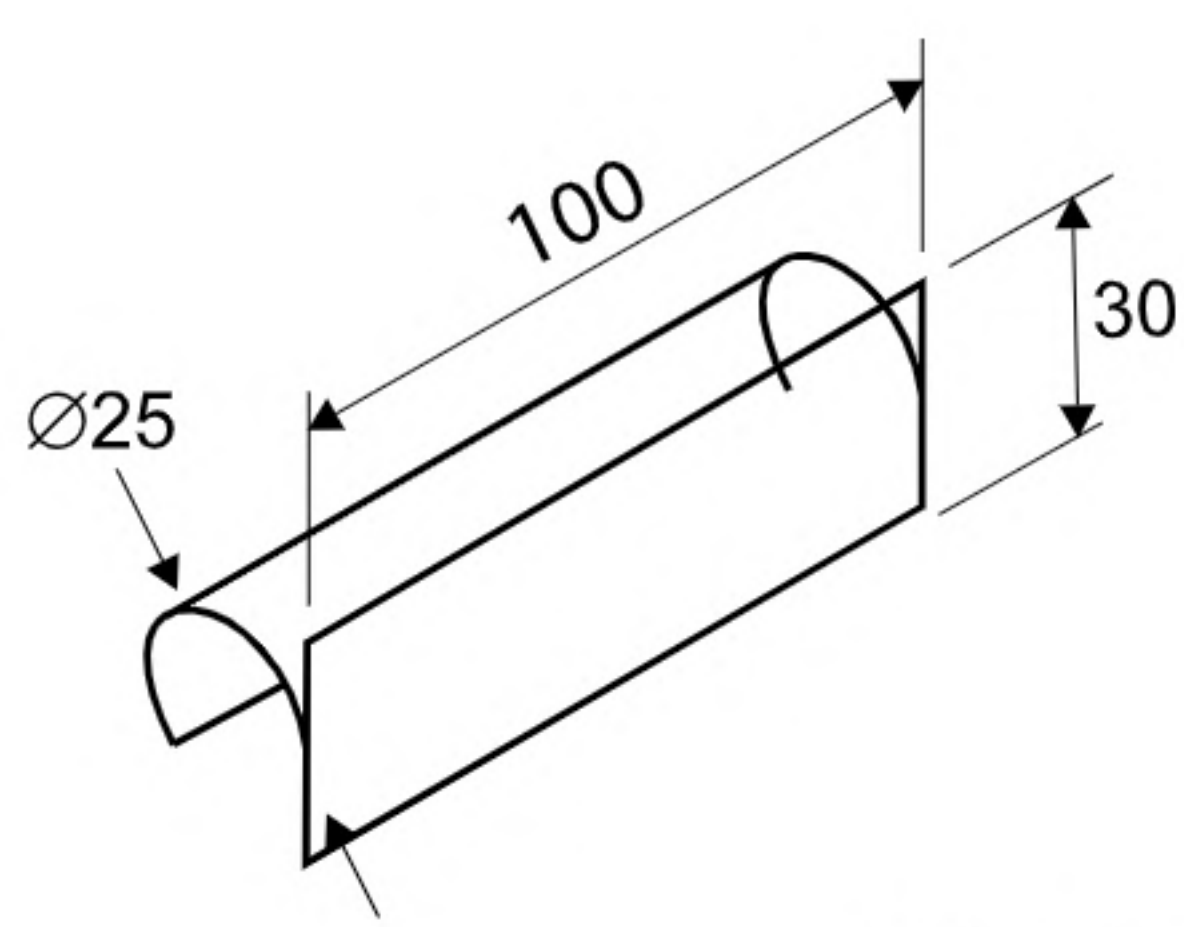
KG/ITEM 0.014
ITEM/PACK 120

P-L2A



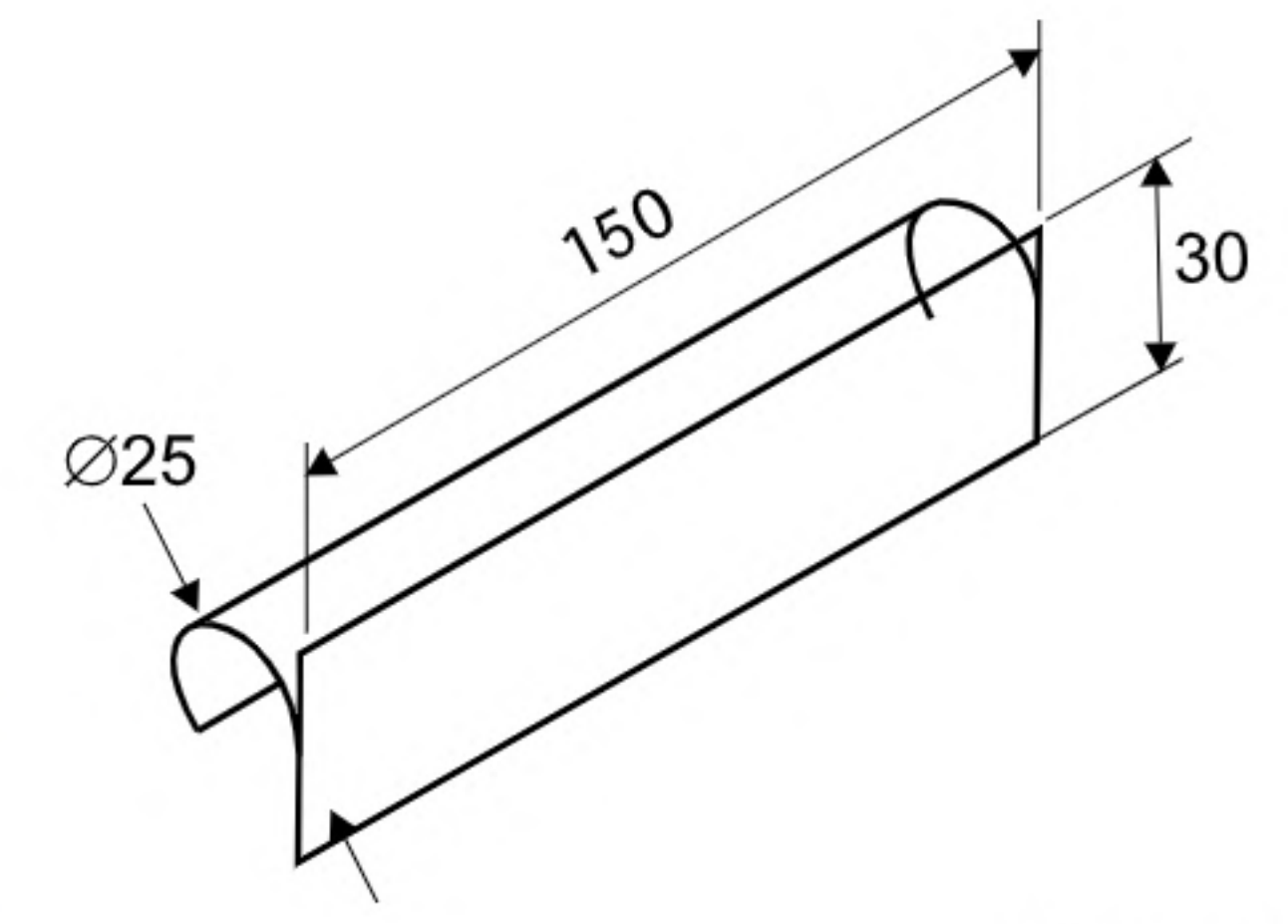
KG/ITEM 0.022
ITEM/PACK 60

P-L2B



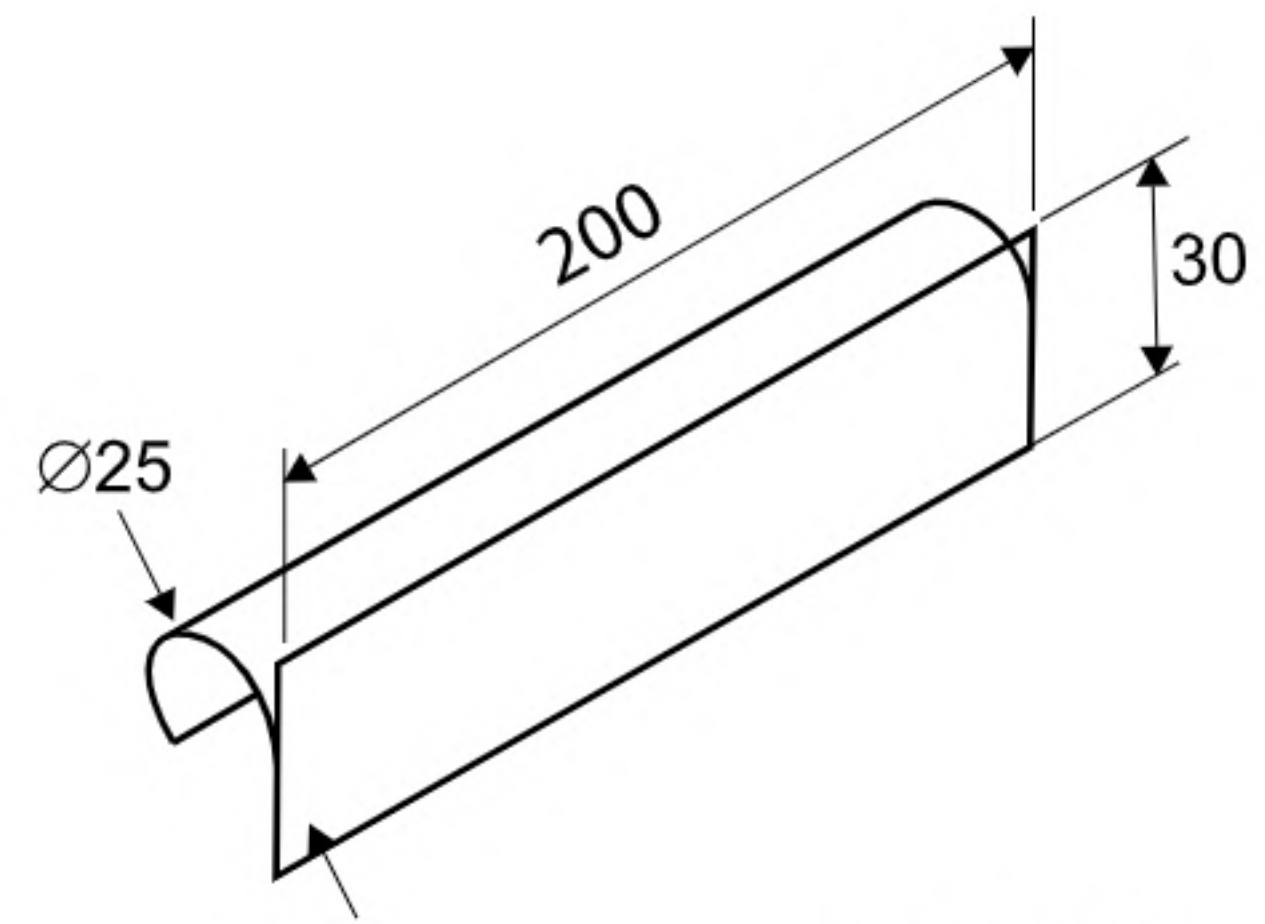
KG/ITEM 0.013
ITEM/PACK 100

P-L2C



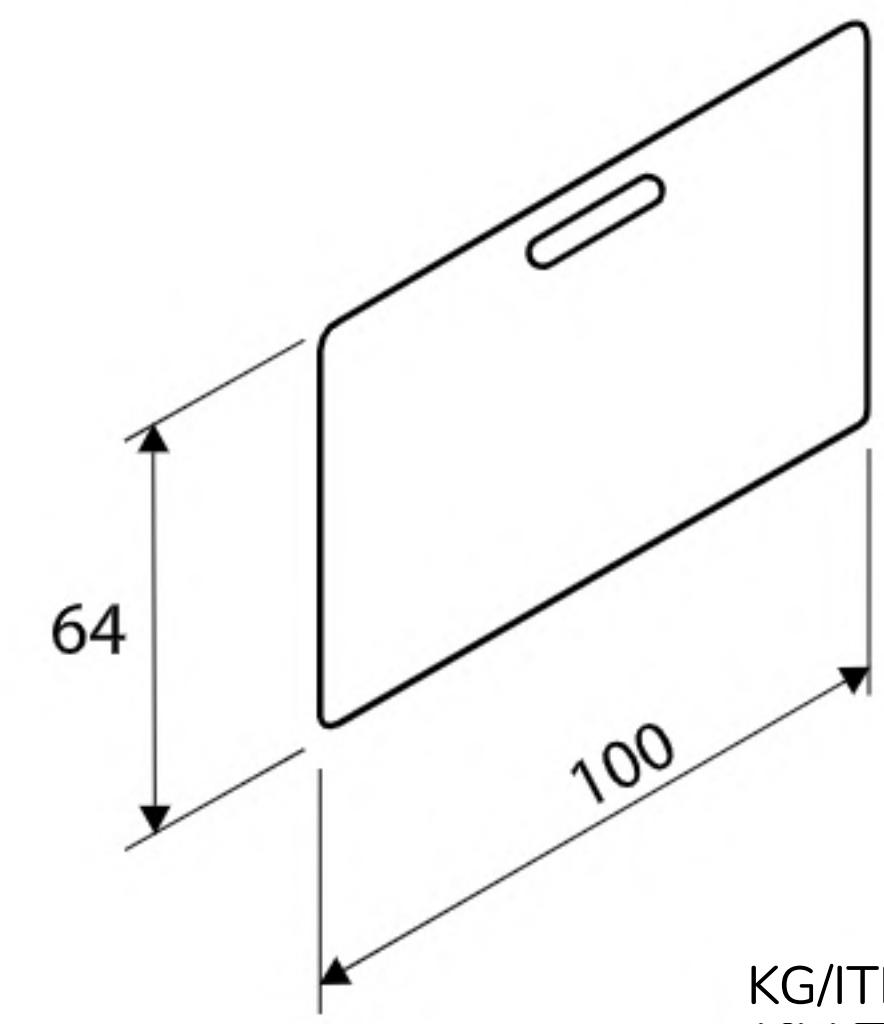
KG/ITEM 0.020
ITEM/PACK 60

P-L2D



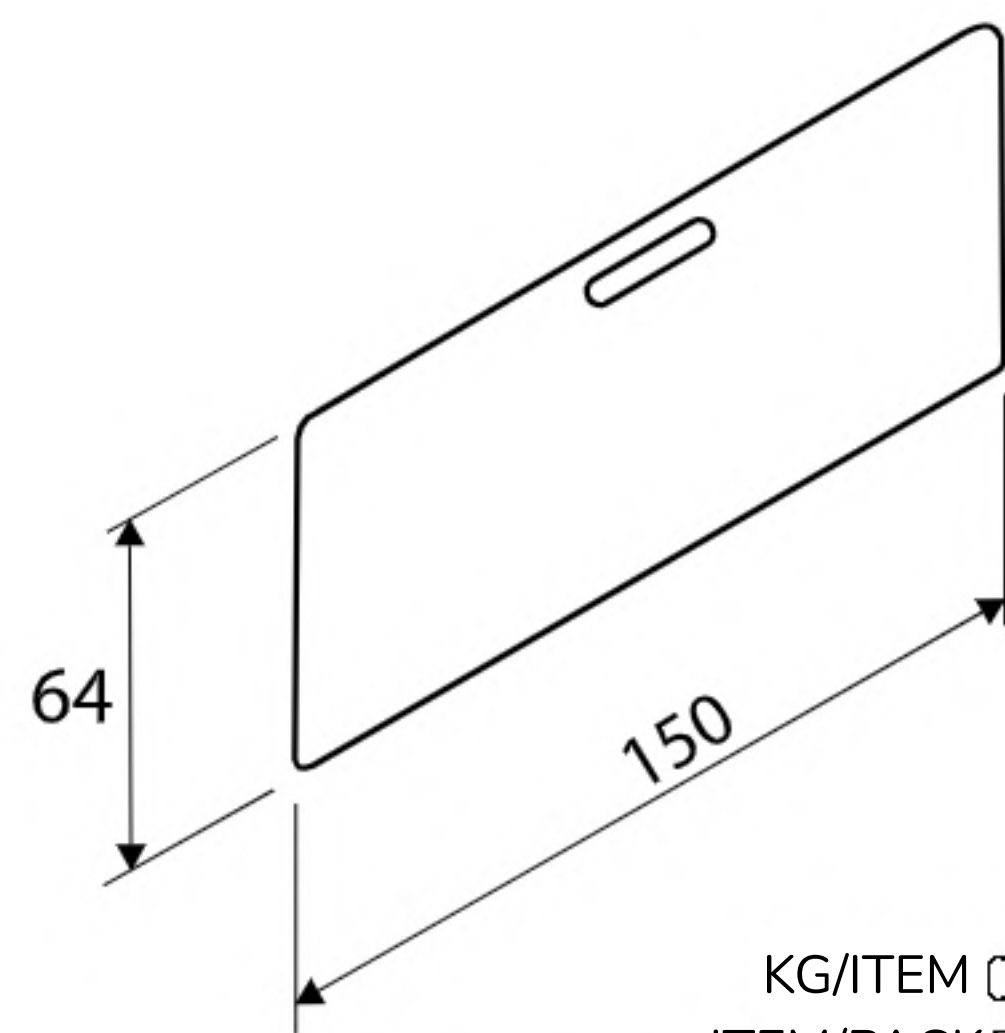
KG/ITEM 0.026
ITEM/PACK 50

P-L3



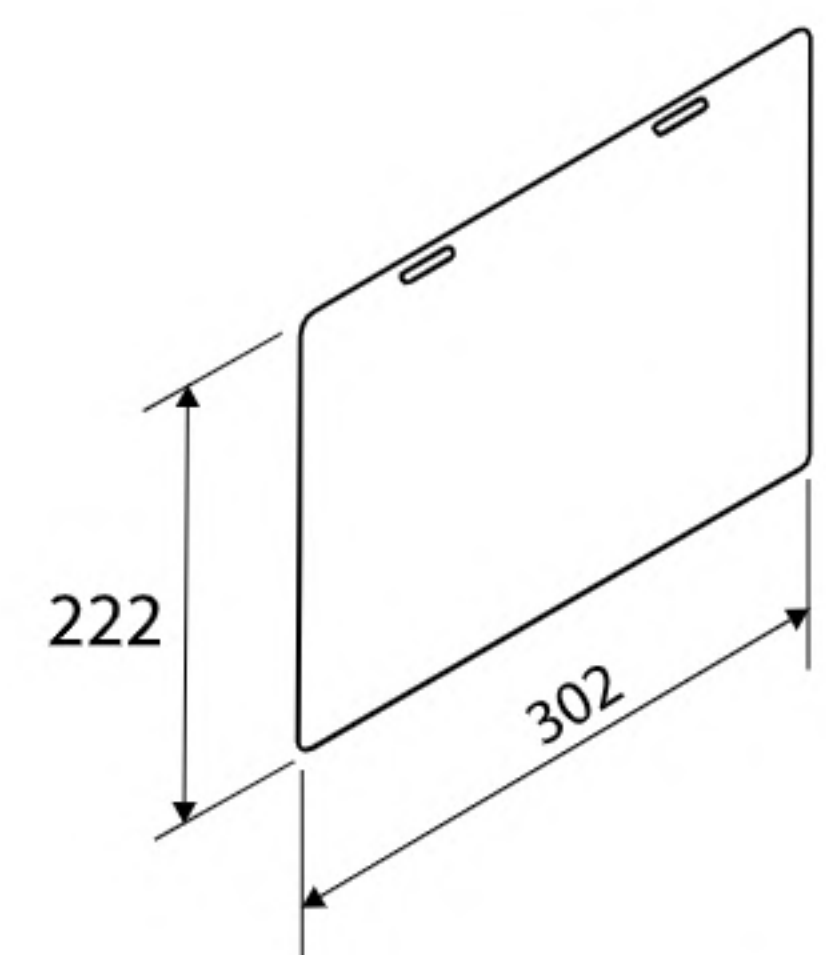
KG/ITEM 0.006
ITEM/PACK 1000

P-L3A



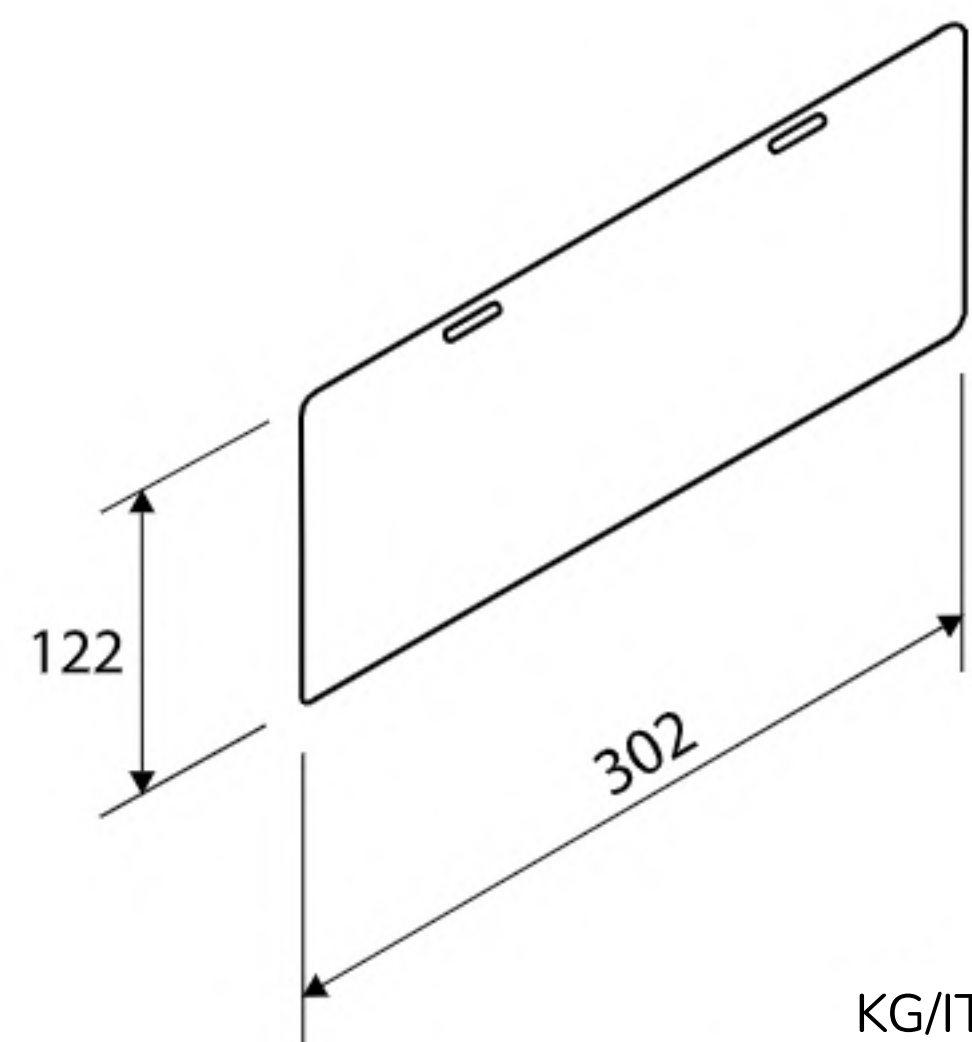
KG/ITEM 0.009
ITEM/PACK 700

P-L3B



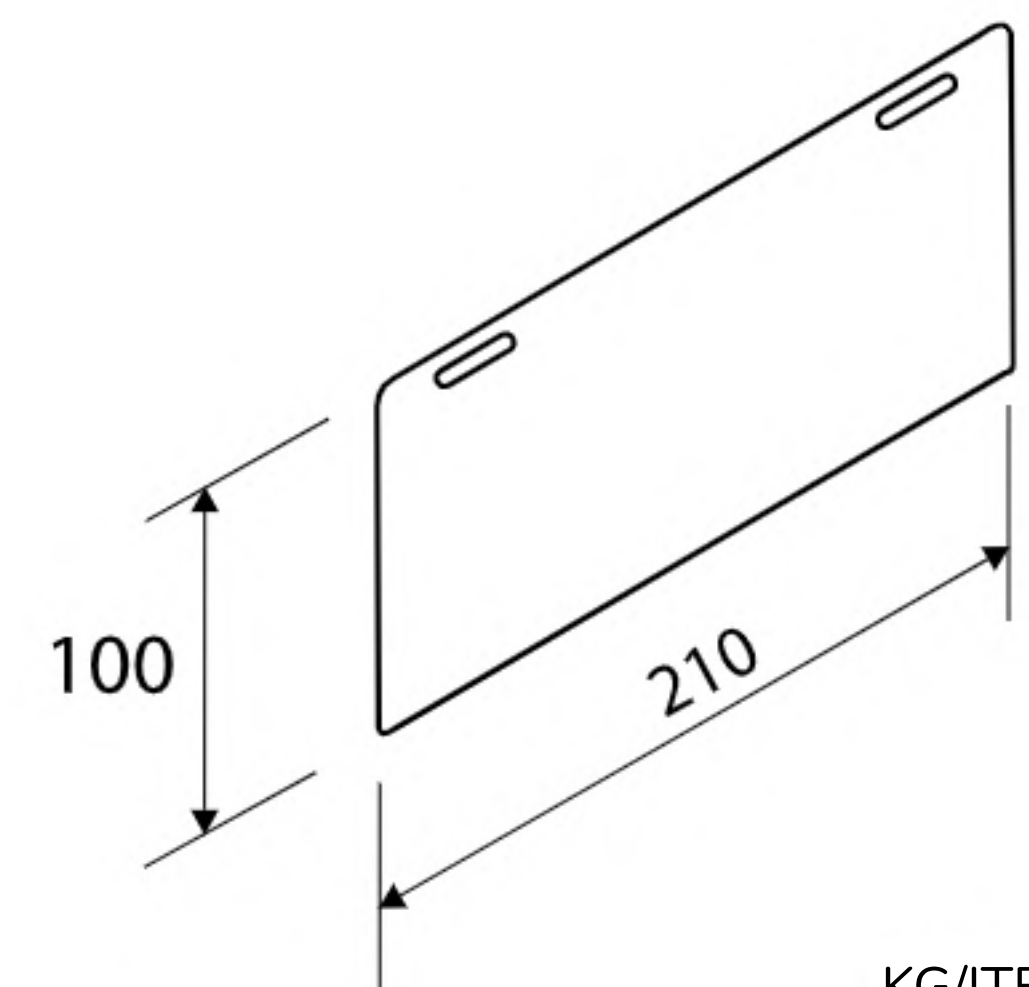
KG/ITEM 0.088
ITEM/PACK 100

P-L3C



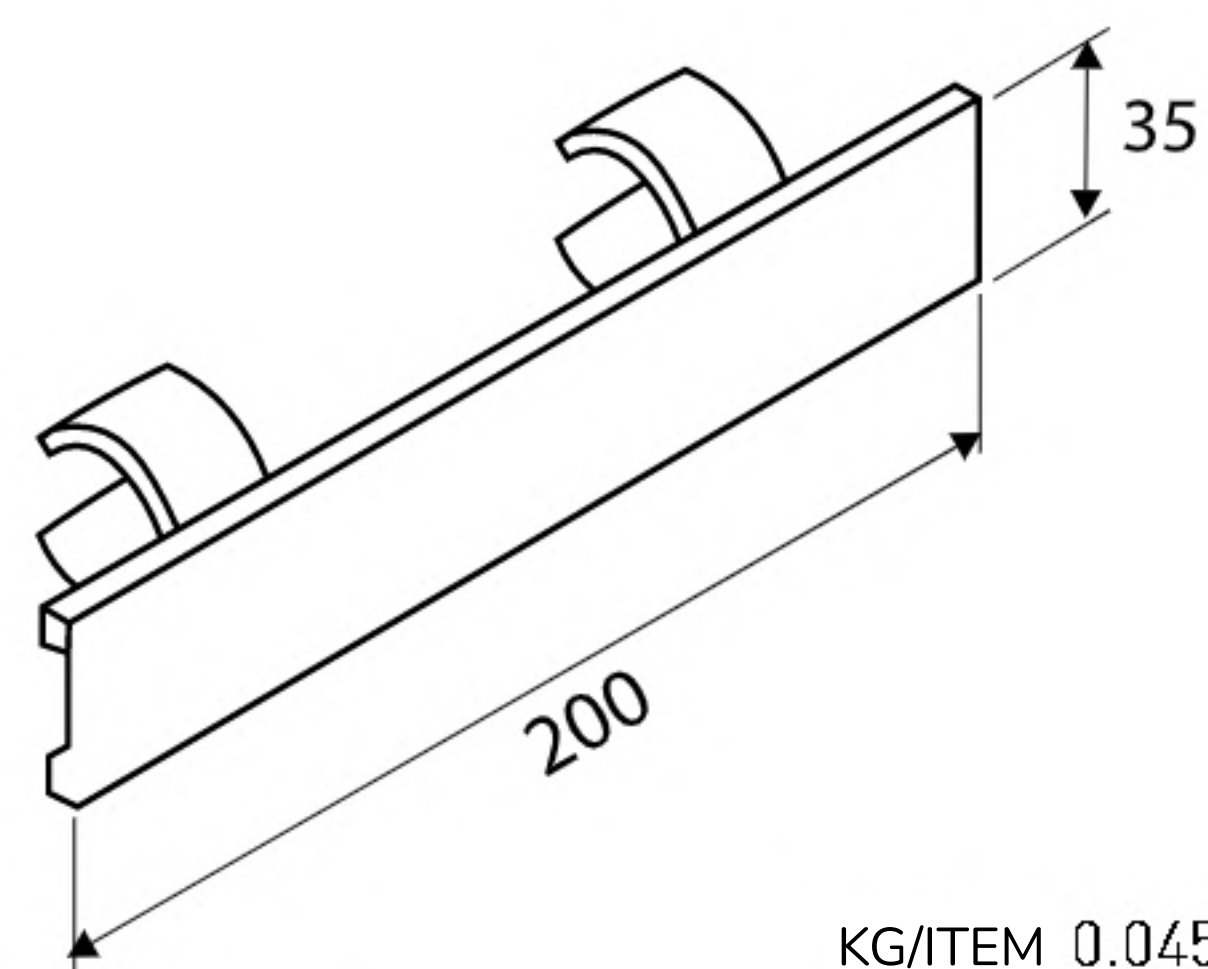
KG/ITEM 0.045
ITEM/PACK 150

P-L3D



KG/ITEM 0.029
ITEM/PACK 700

P-L4



KG/ITEM 0.045
ITEM/PACK 150

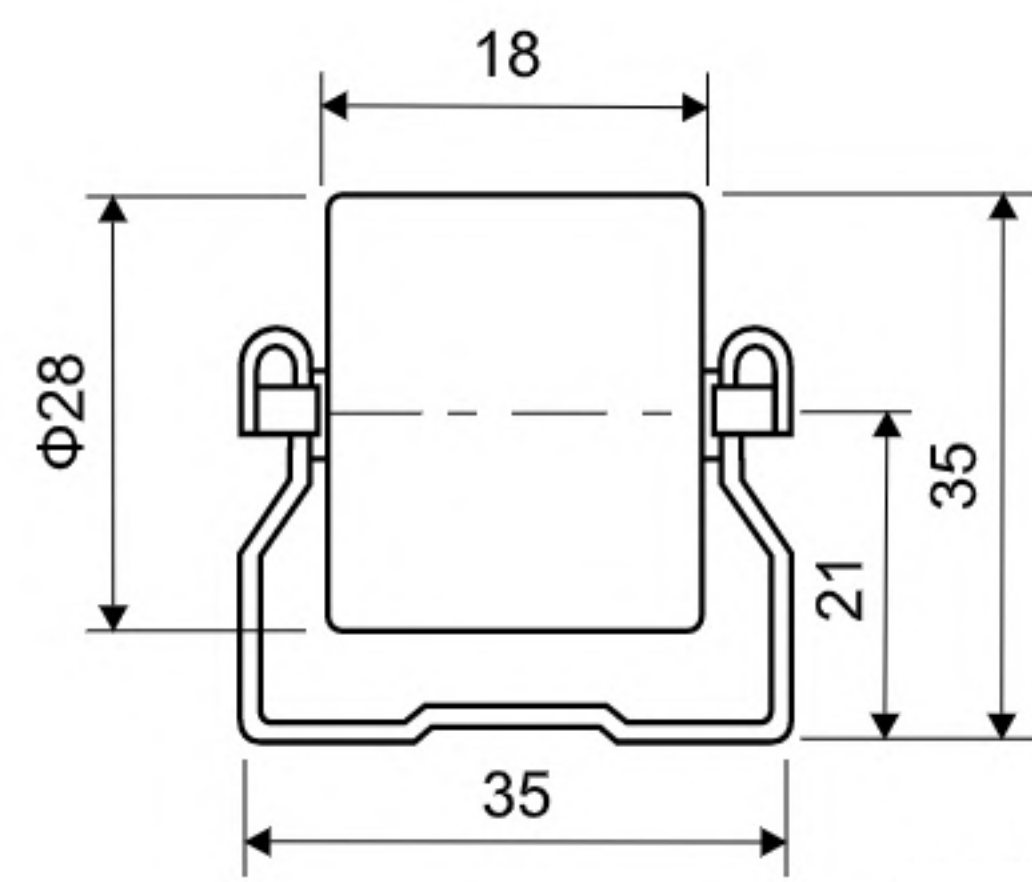


R SERIES

TRANSPORTATION PALLETS

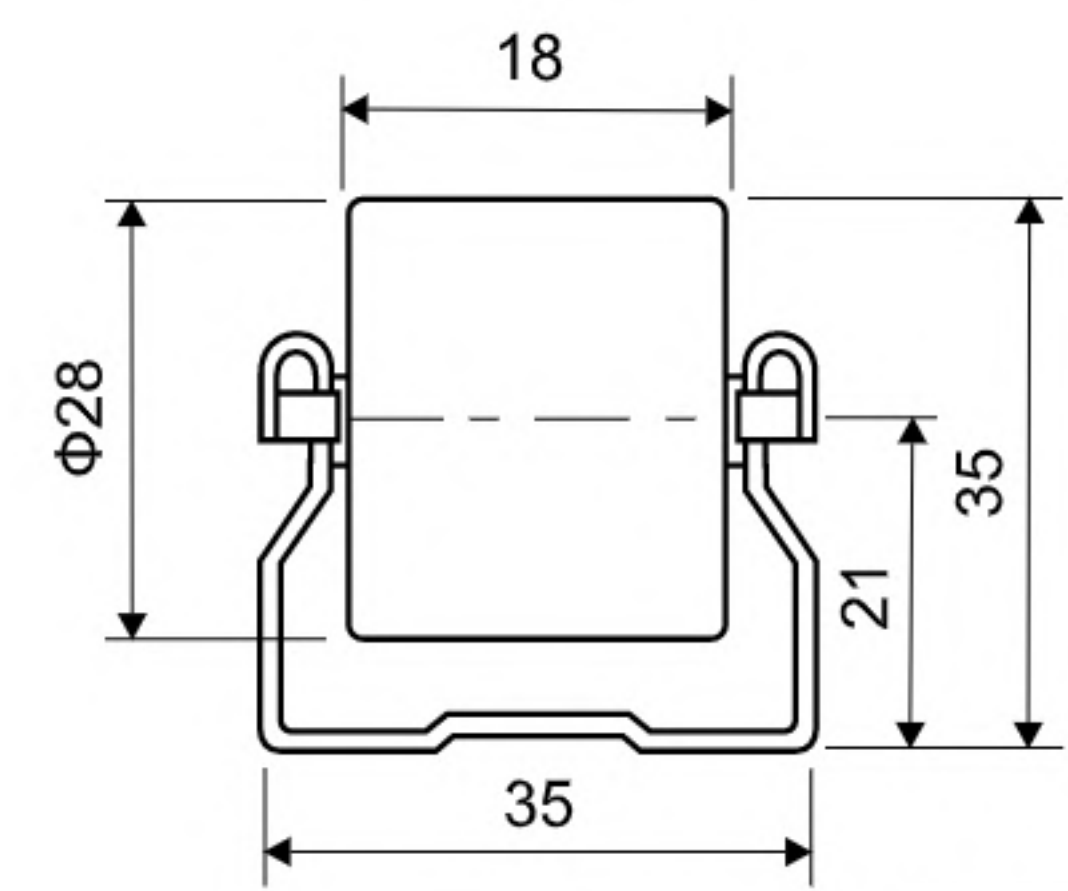
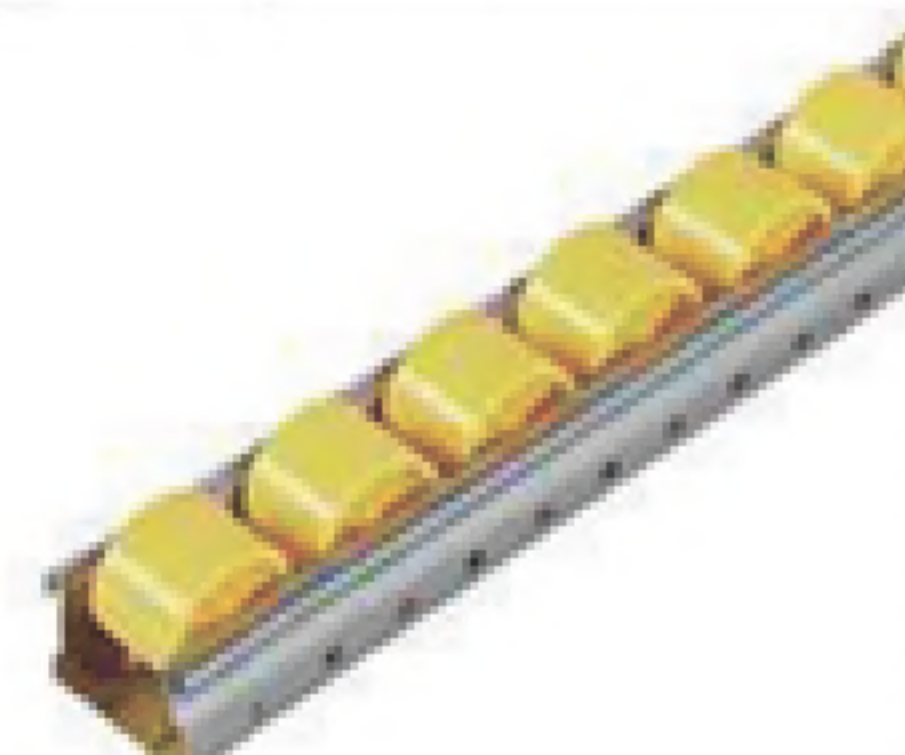
TRANSPORTATION PALLETS

R-3533 (WHITE)



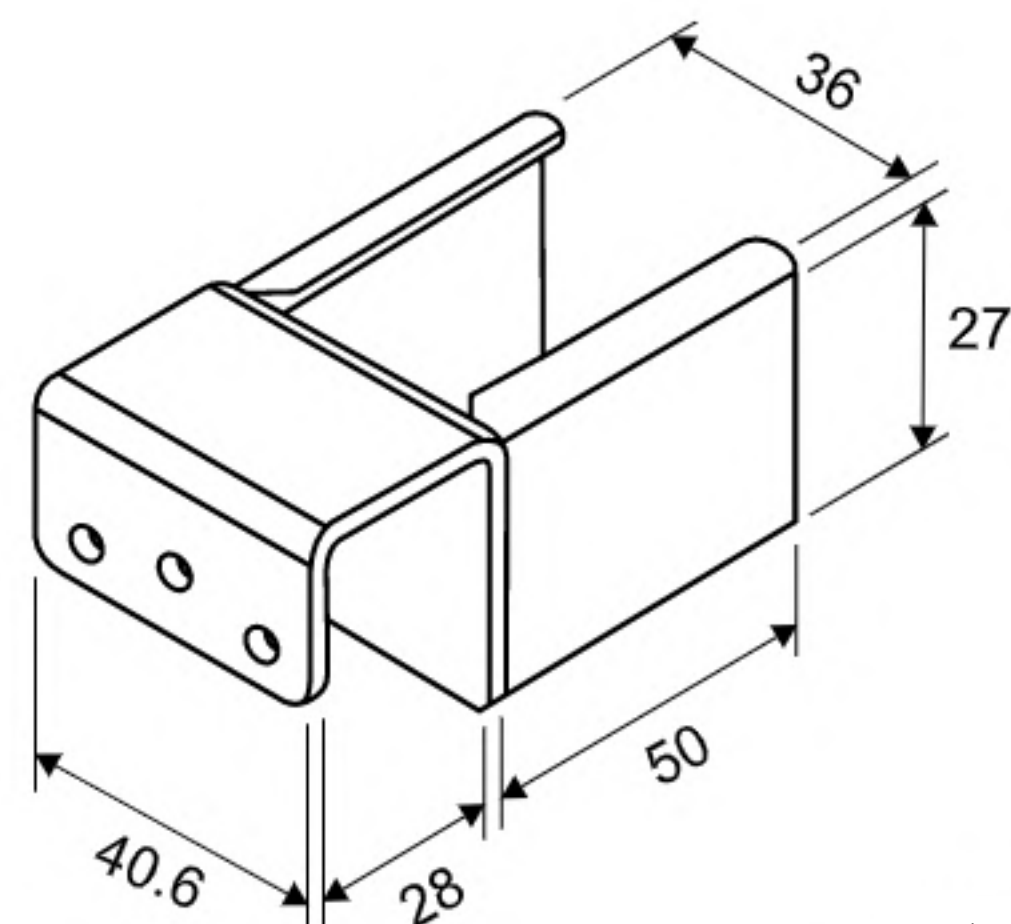
MASS, KG/M 0.810
LENGTH, M 4
M/PACK 40

R-3533 (YELLOW)



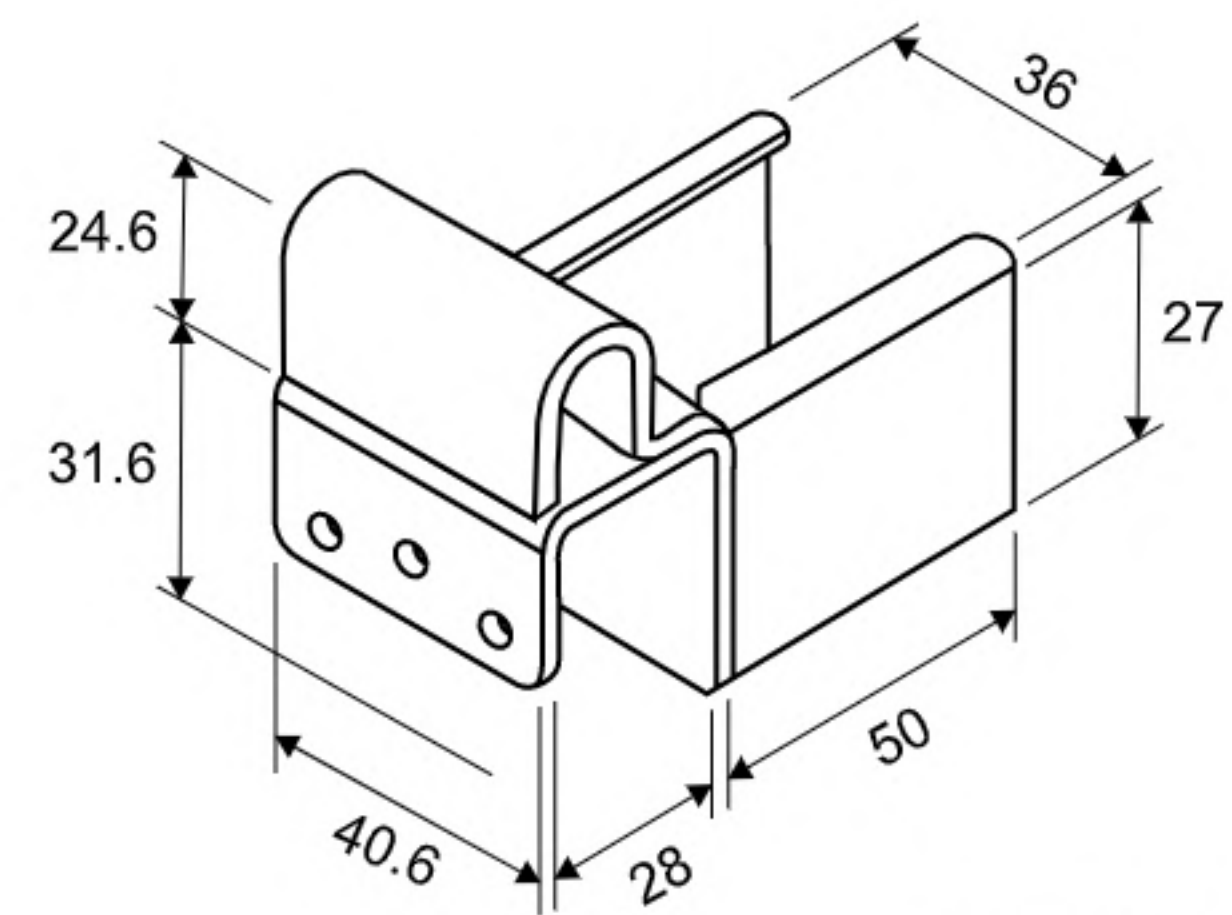
MASS, KG/M 0.810
LENGTH, M 4
M/PACK 40

R-35H1



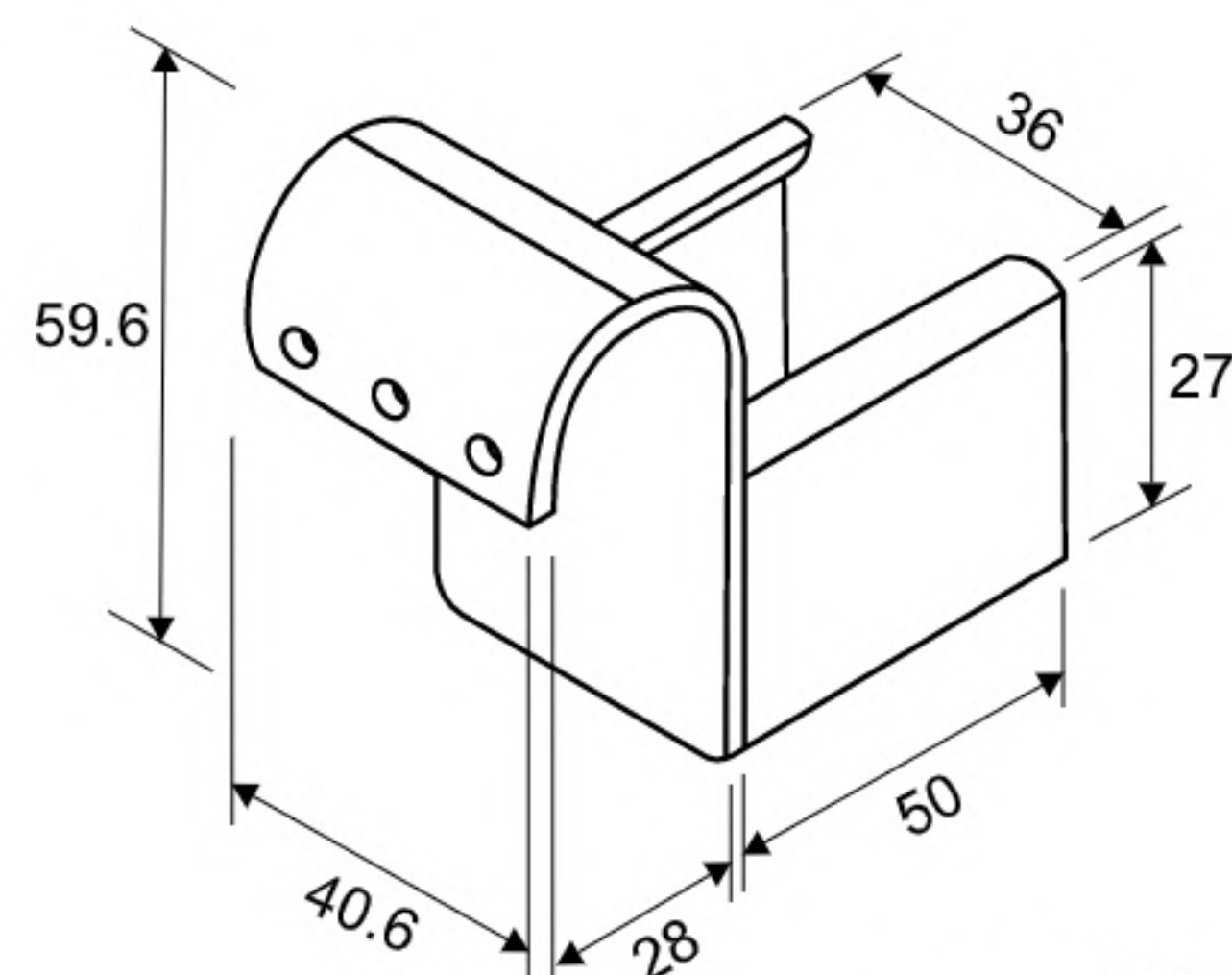
KG/ITEM 0.167
ITEM/PACK 70

R-35H2A



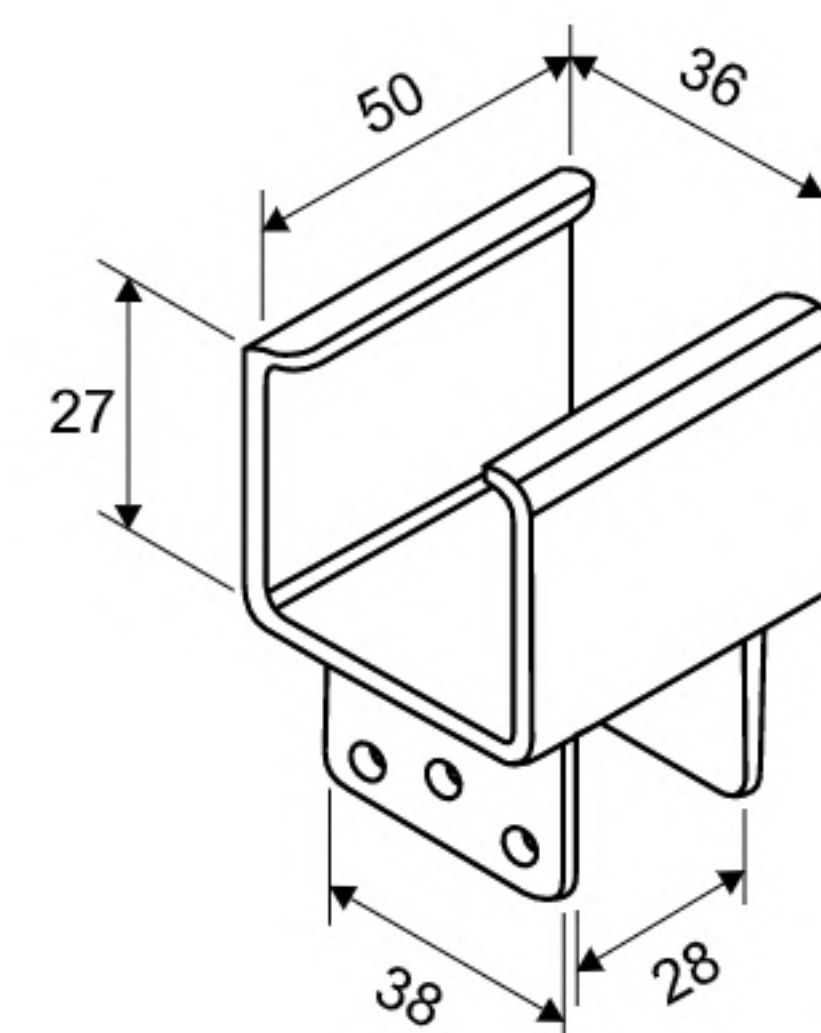
KG/ITEM 0.211
ITEM/PACK 45

R-35H3A



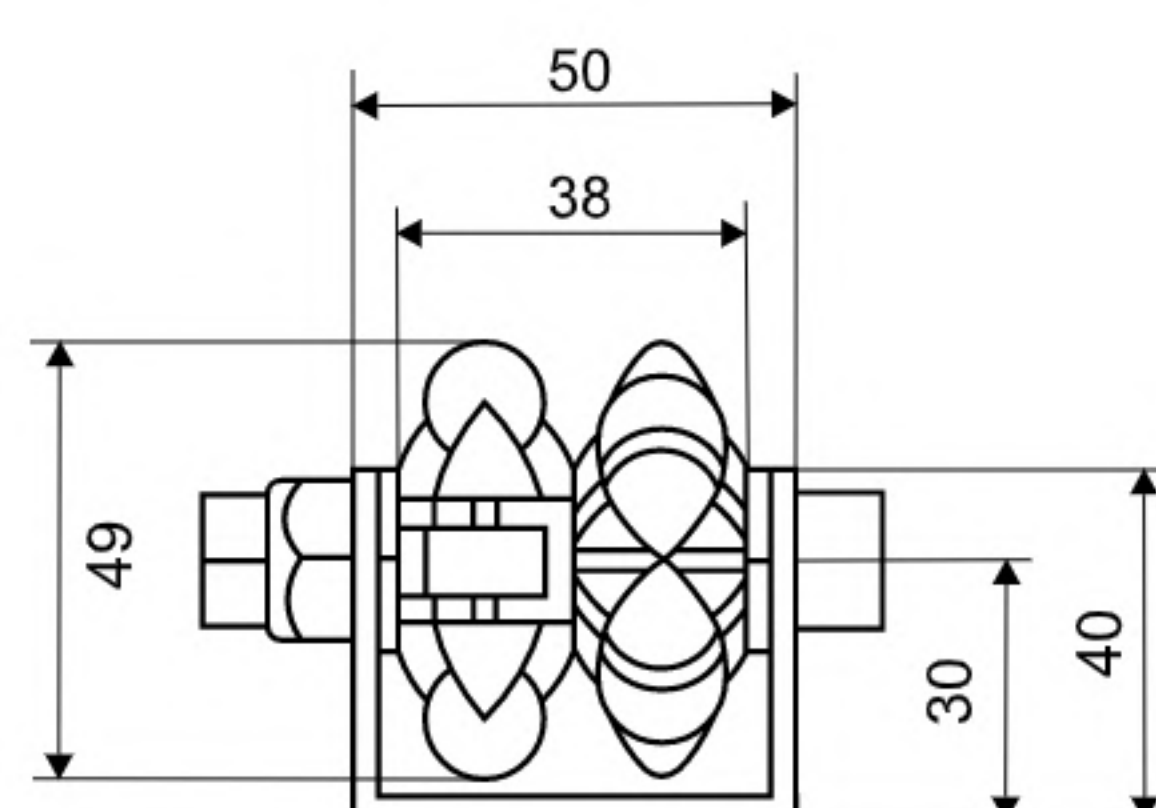
KG/ITEM 0.191
ITEM/PACK 55

R-35H5



KG/ITEM 0.137
ITEM/PACK 60

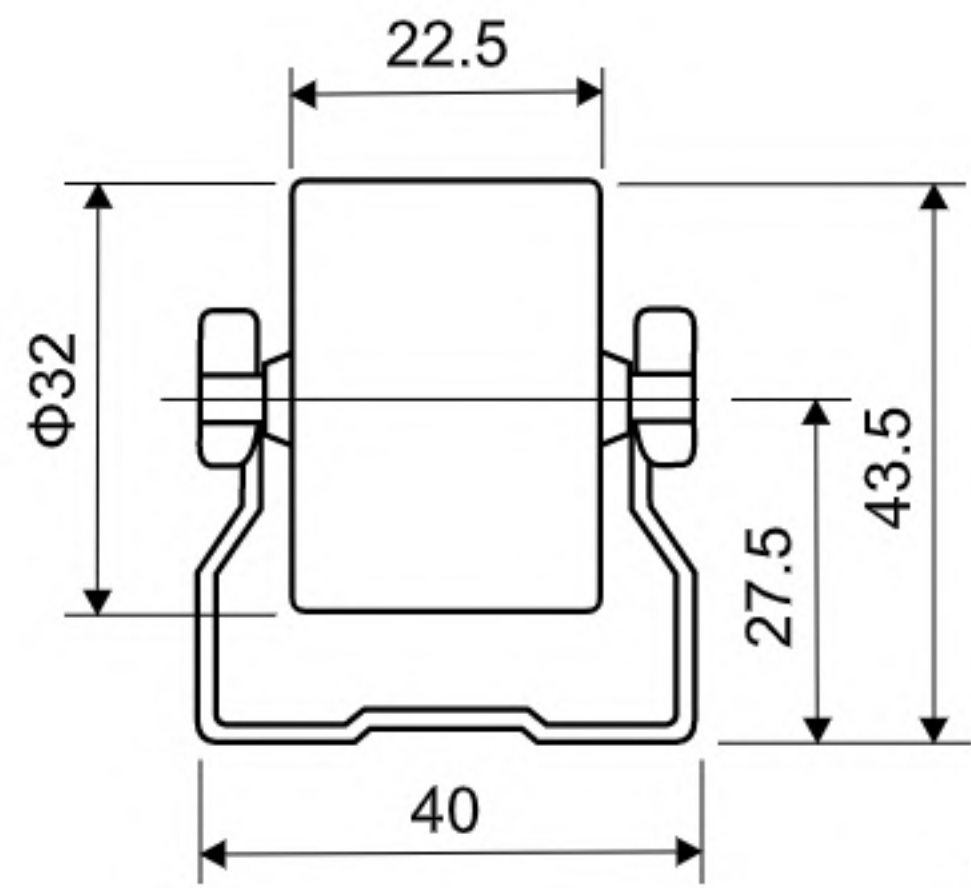
R-5050



MASS, KG/M 1.180
LENGTH, M 4
M/PACK 32

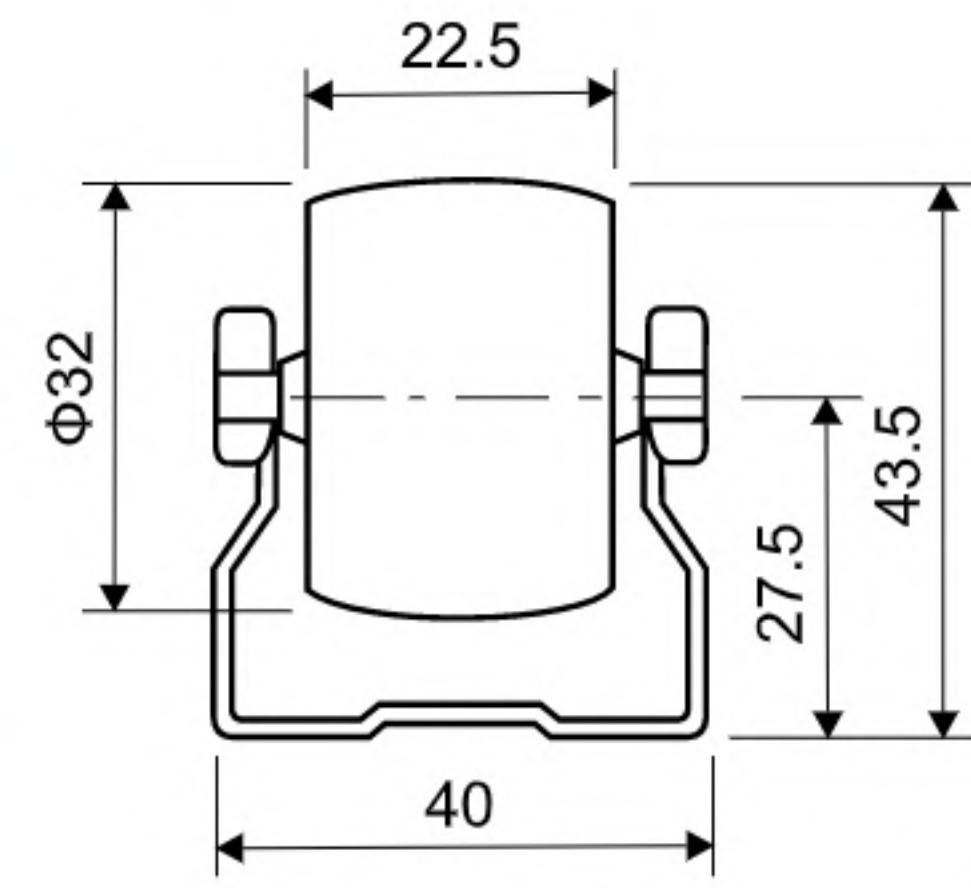
TRANSPORTATION PALLETS

R-4036



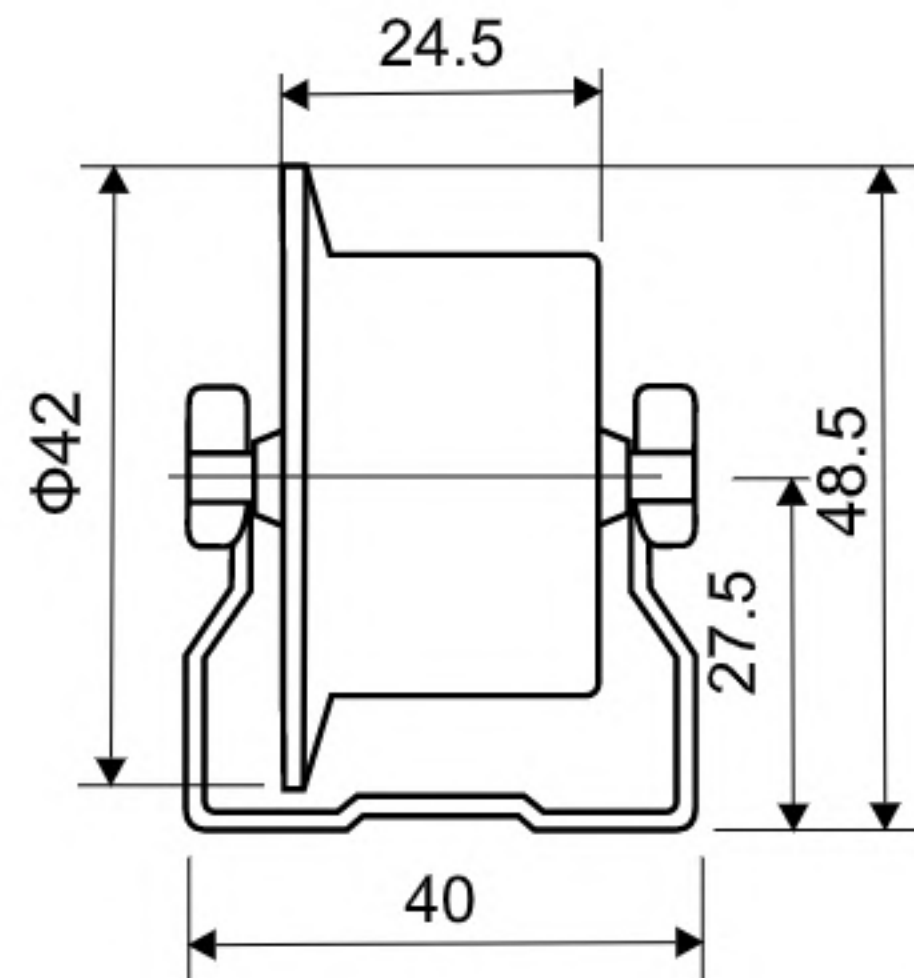
MASS, KG/M 1.100
LENGTH, M 4
M/PACK 40

R-4036A



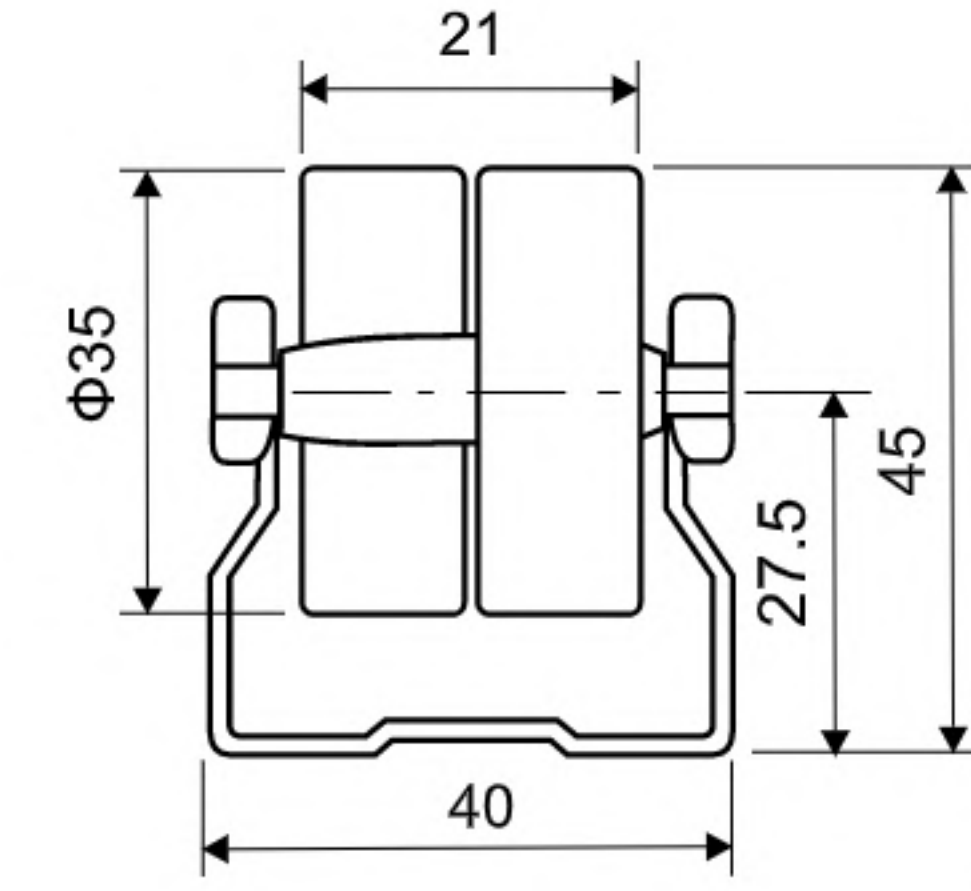
MASS, KG/M 1.100
LENGTH, M 4
M/PACK 40

R-4045A



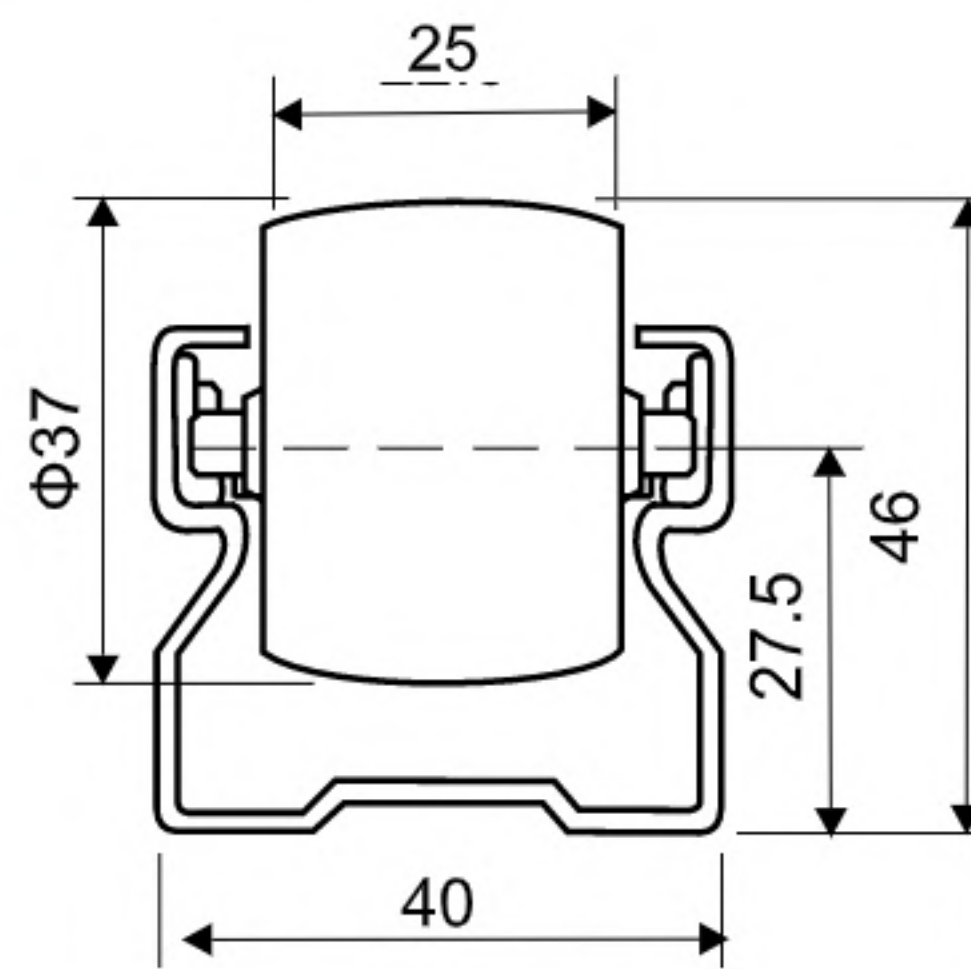
MASS, KG/M 1.100
LENGTH, M 4
M/PACK 40

R-4022



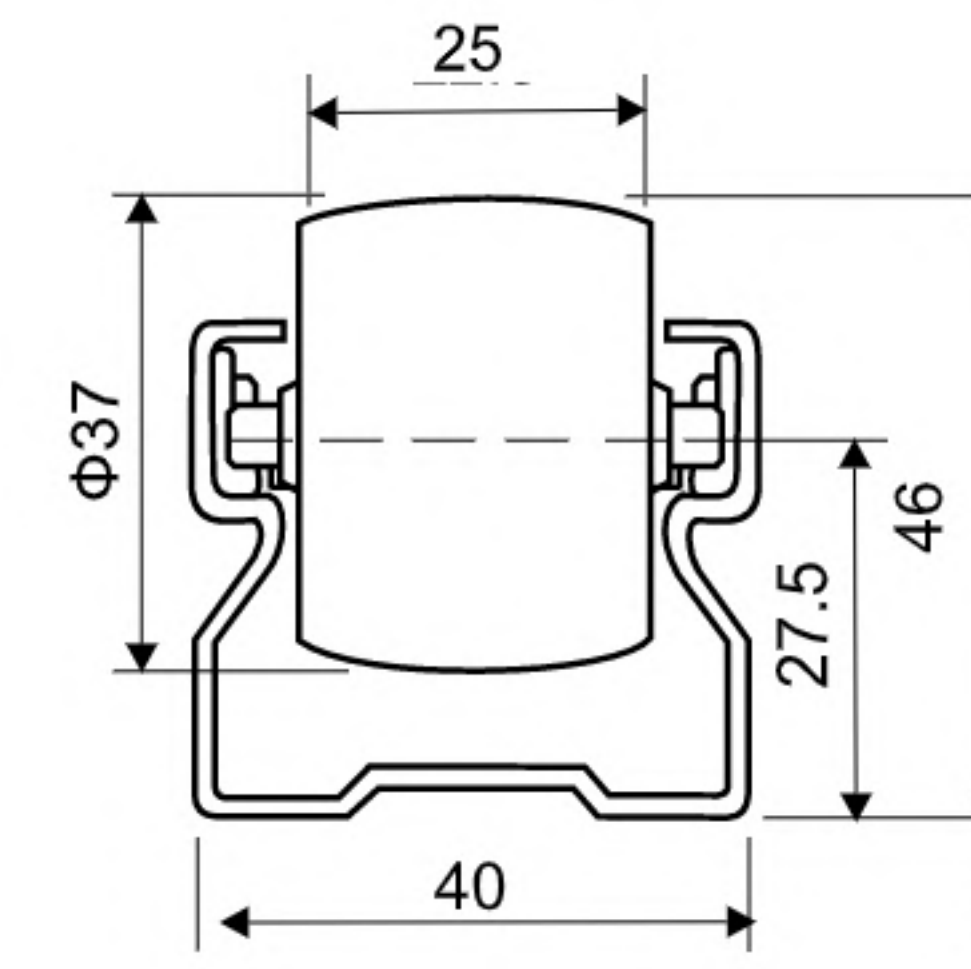
MASS, KG/M 1.180
LENGTH, M 4
M/PACK 40

R-4040



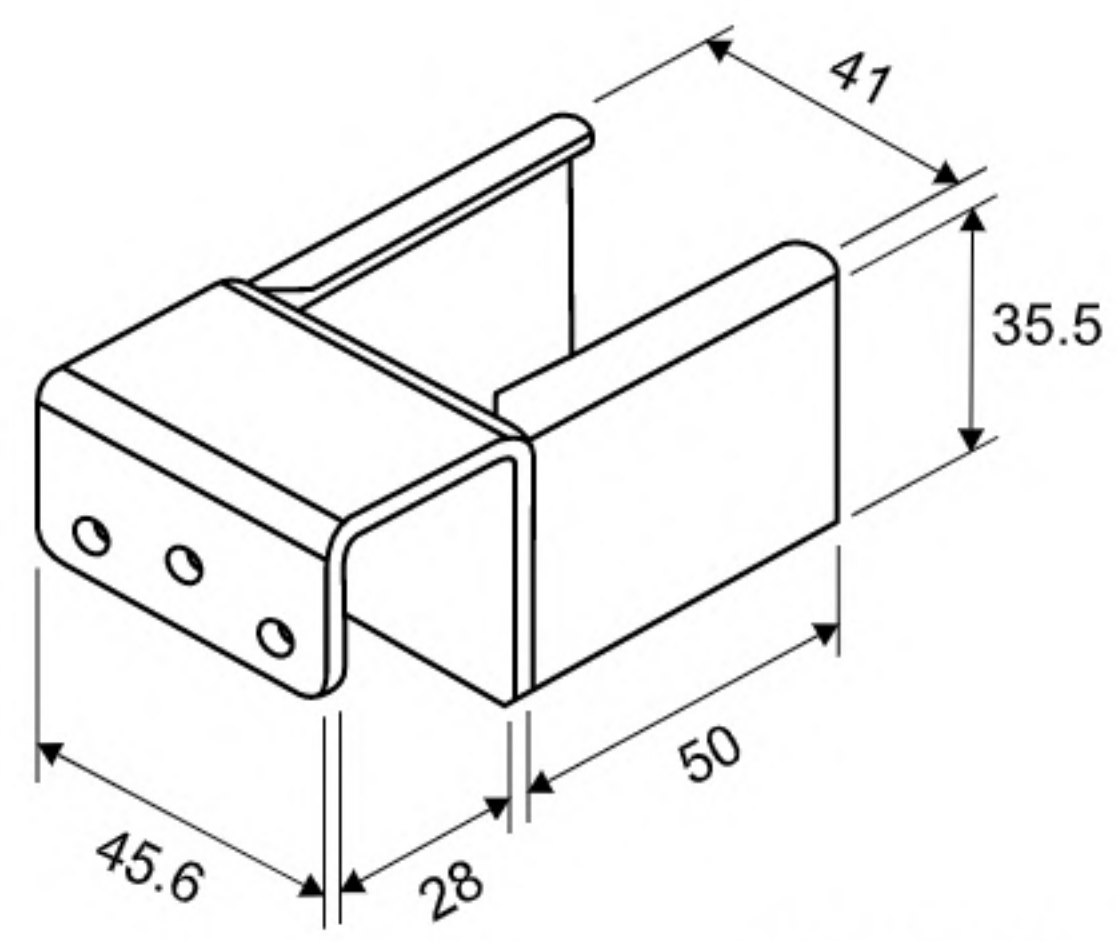
MASS, KG/M 1.180
LENGTH, M 4
M/PACK 40

R-4040A



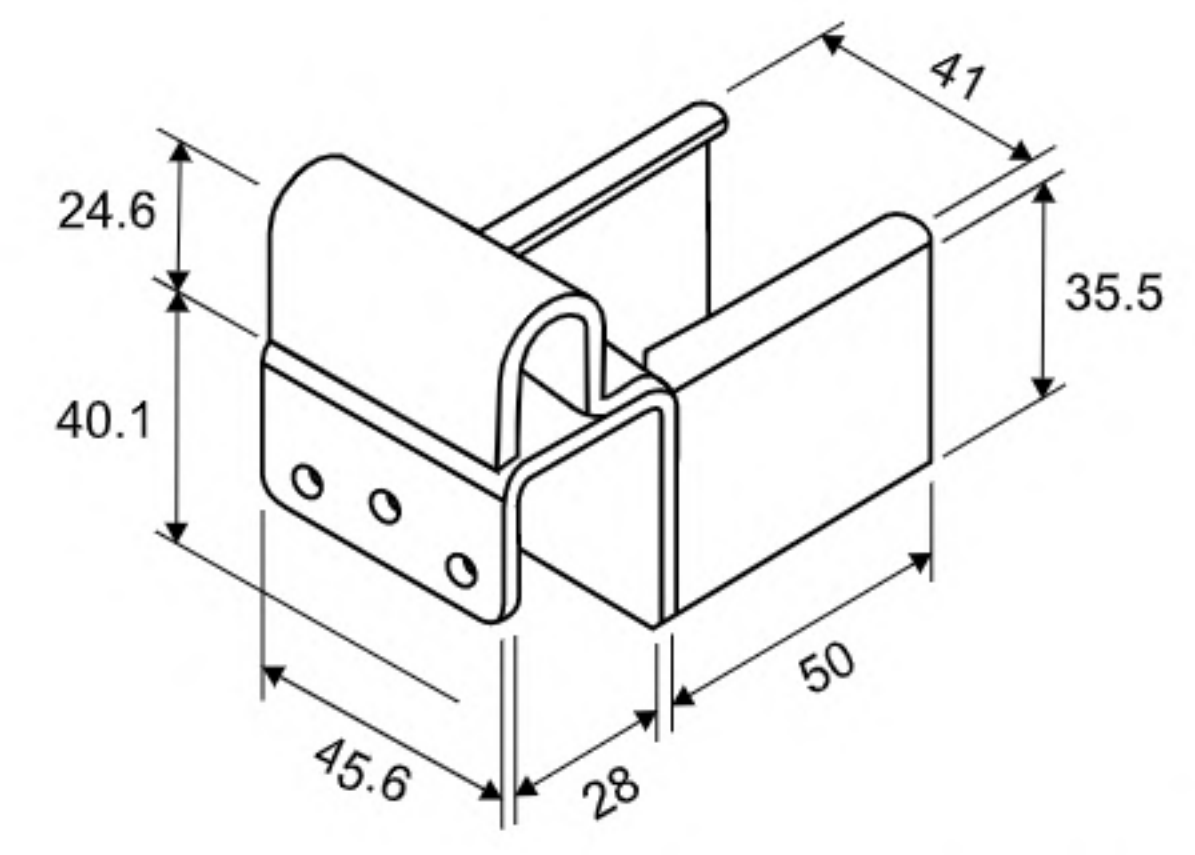
MASS, KG/M 1.180
LENGTH, M 4
M/PACK 40

RH-40H1



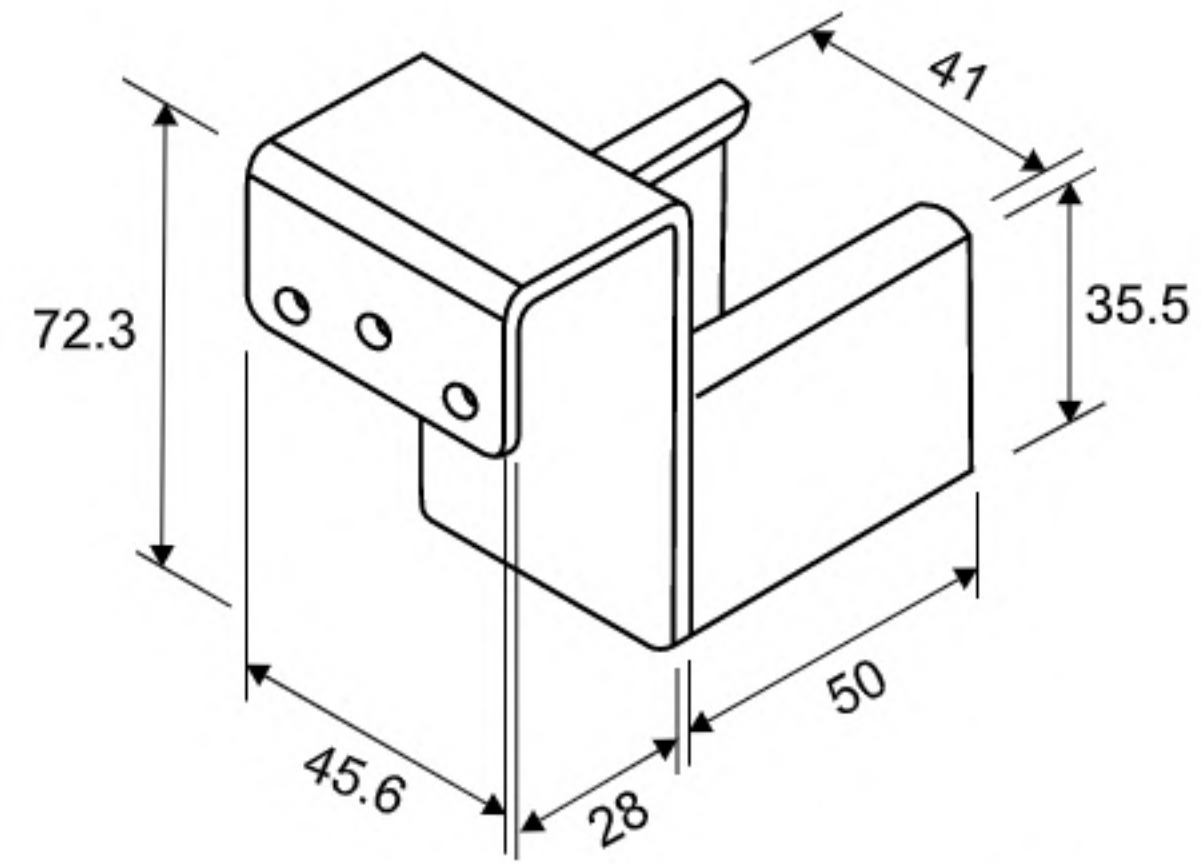
KG/ITEM 0.182
ITEM/PACK 45

RH-40H2A



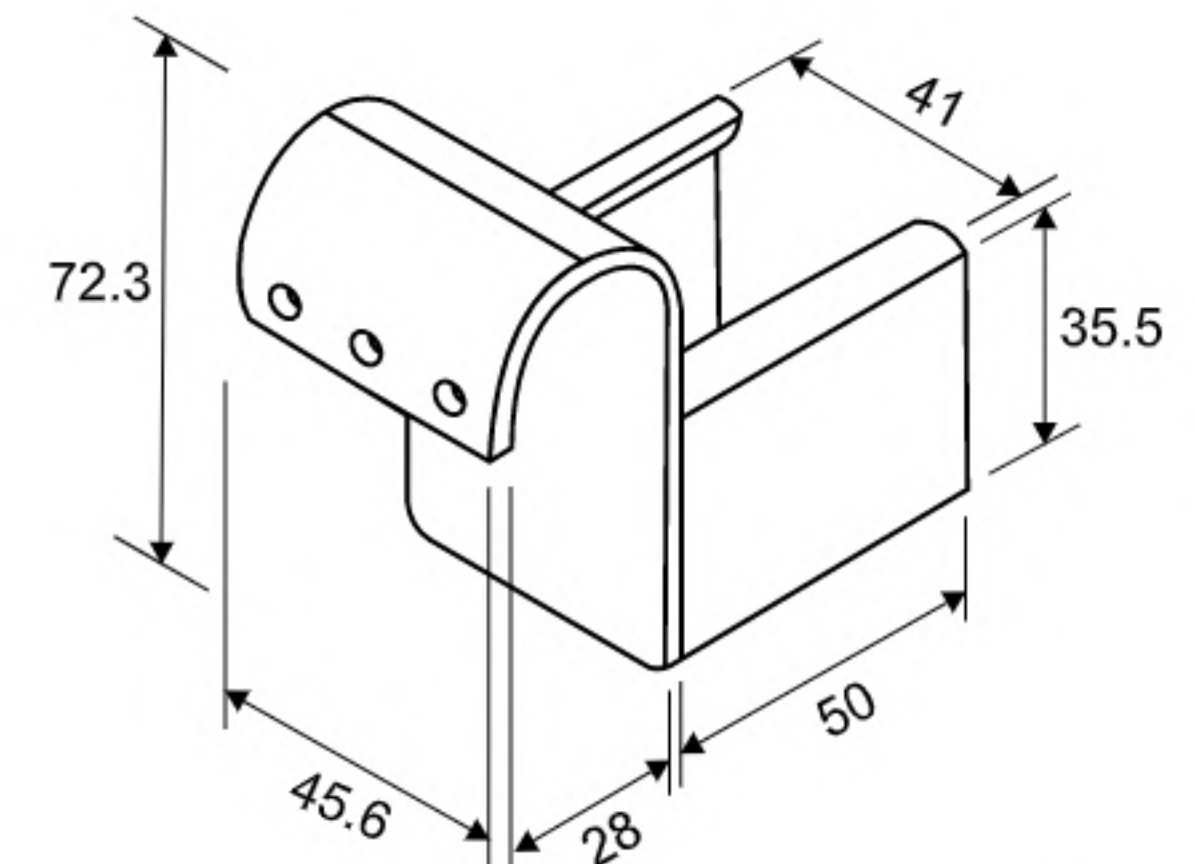
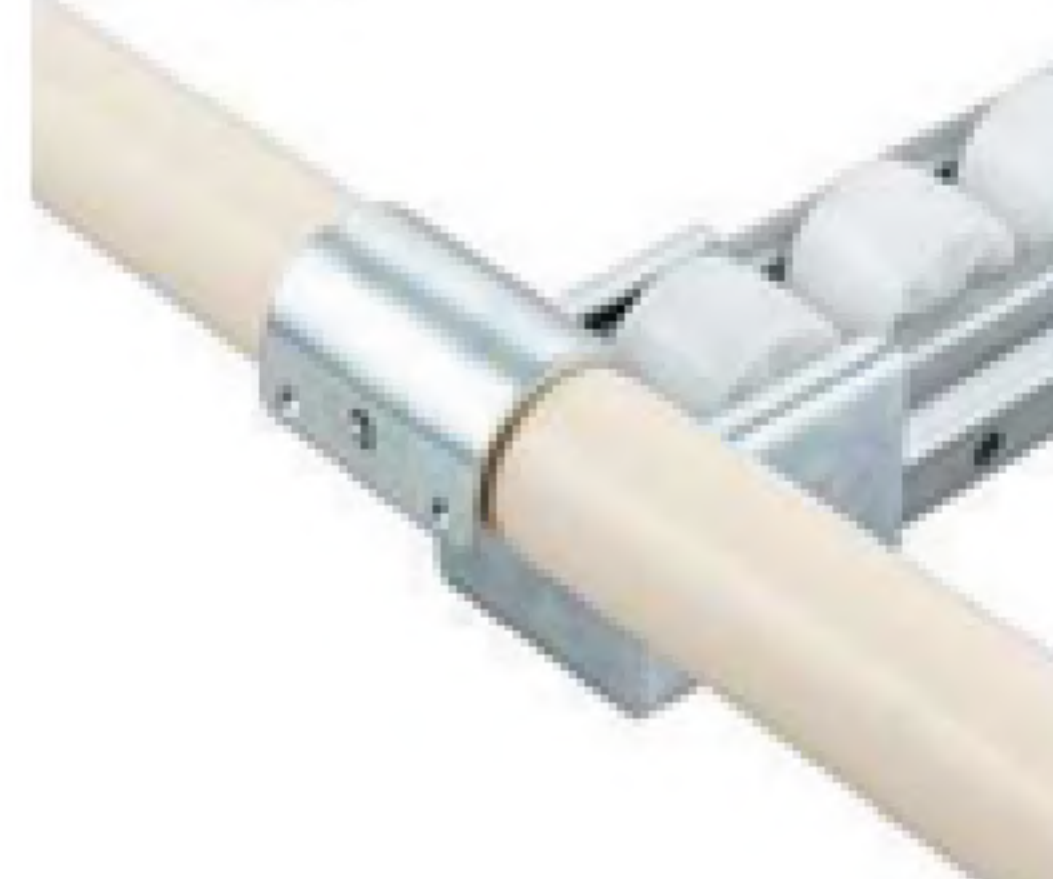
KG/ITEM 0.234
ITEM/PACK 45

RH-40H3



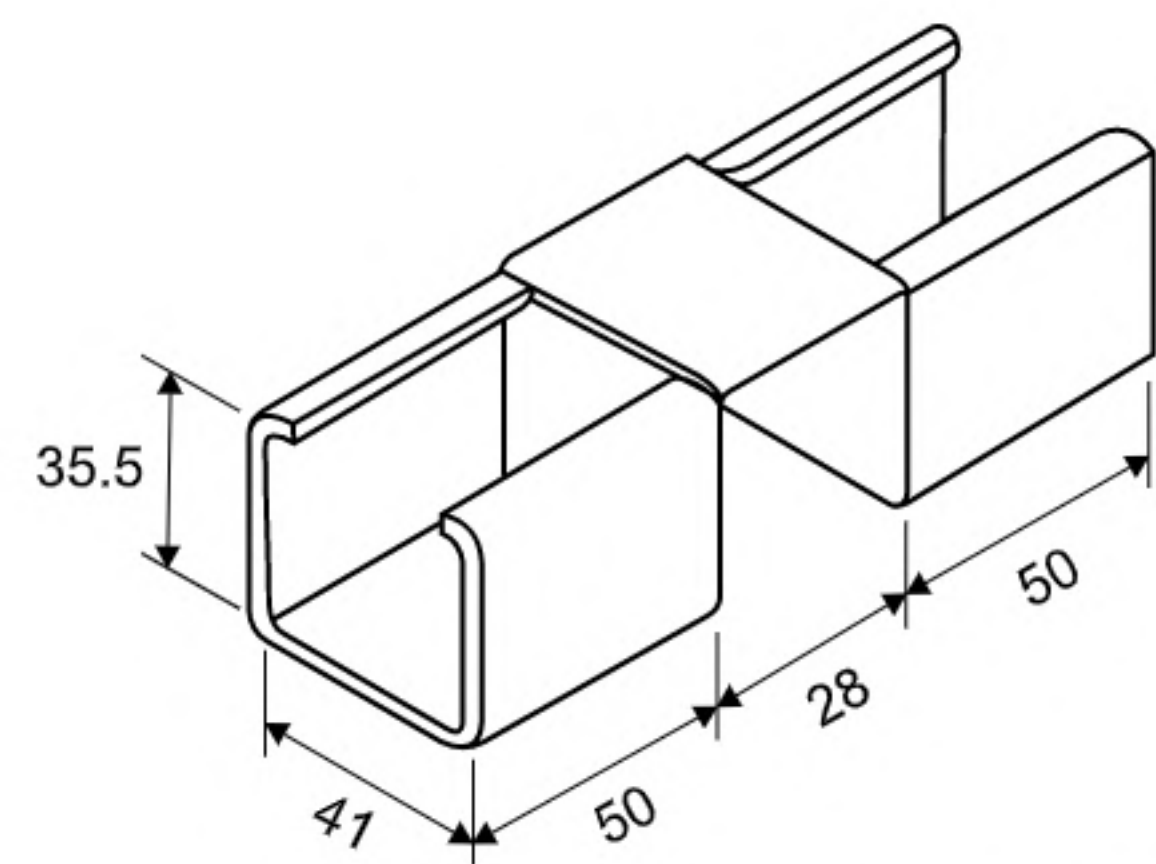
KG/ITEM 0.208
ITEM/PACK 40

RH-40H3A



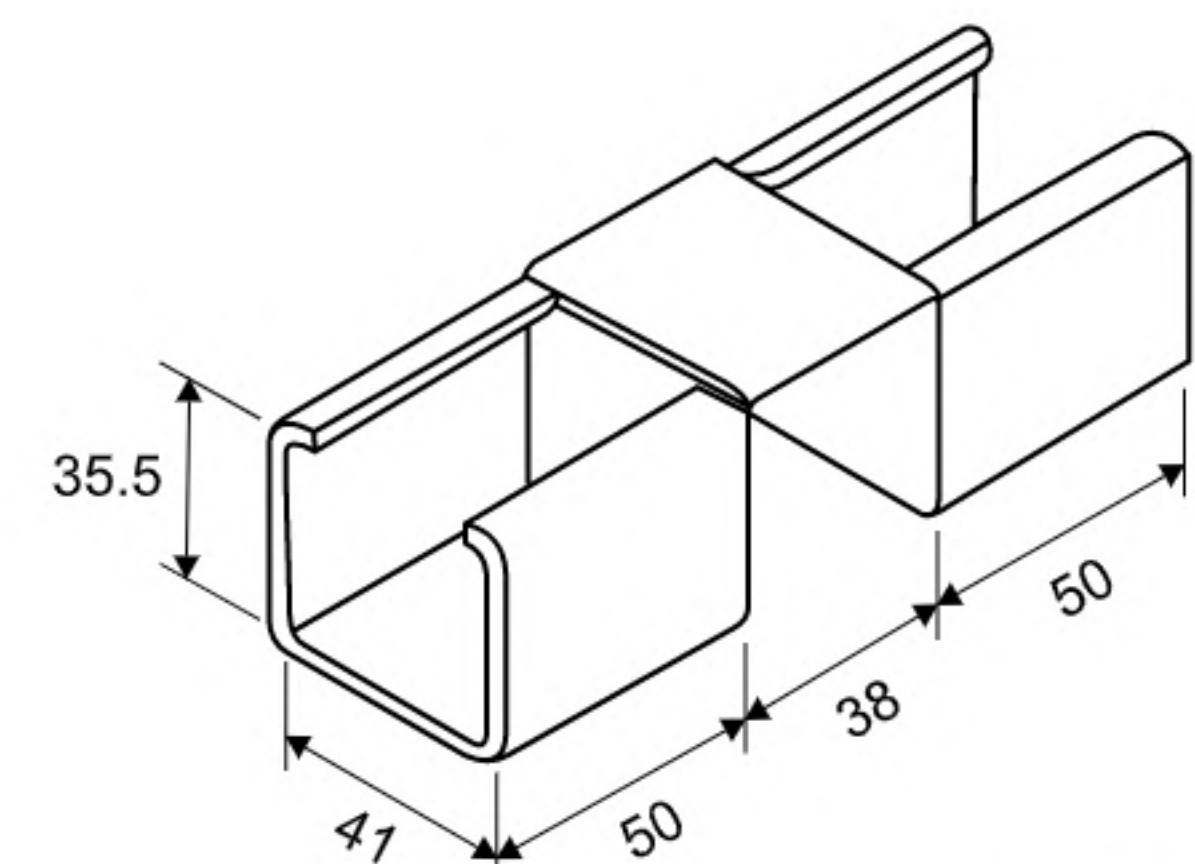
KG/ITEM 0.220
ITEM/PACK 35

RH-40H4



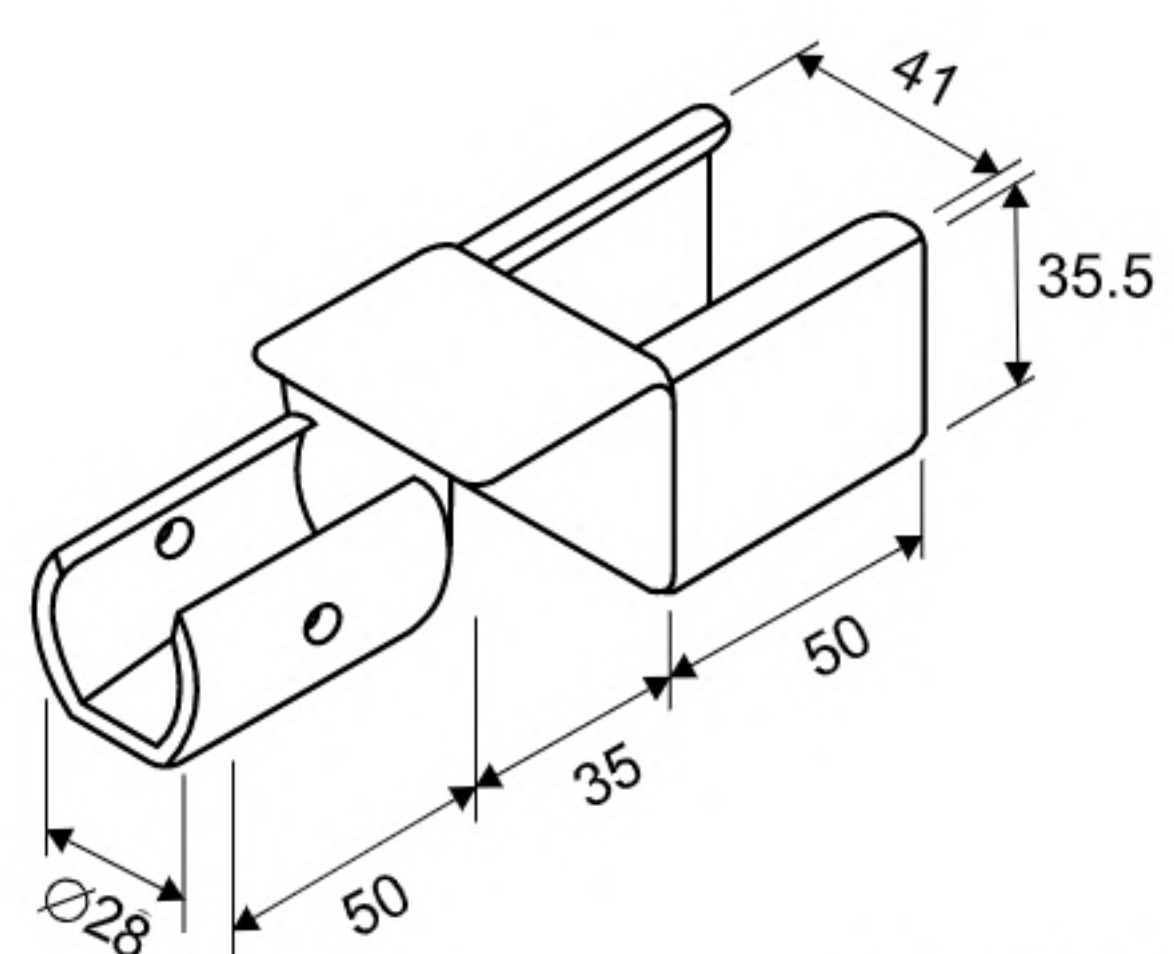
KG/ITEM 0.350
ITEM/PACK 30

RH-40H4A



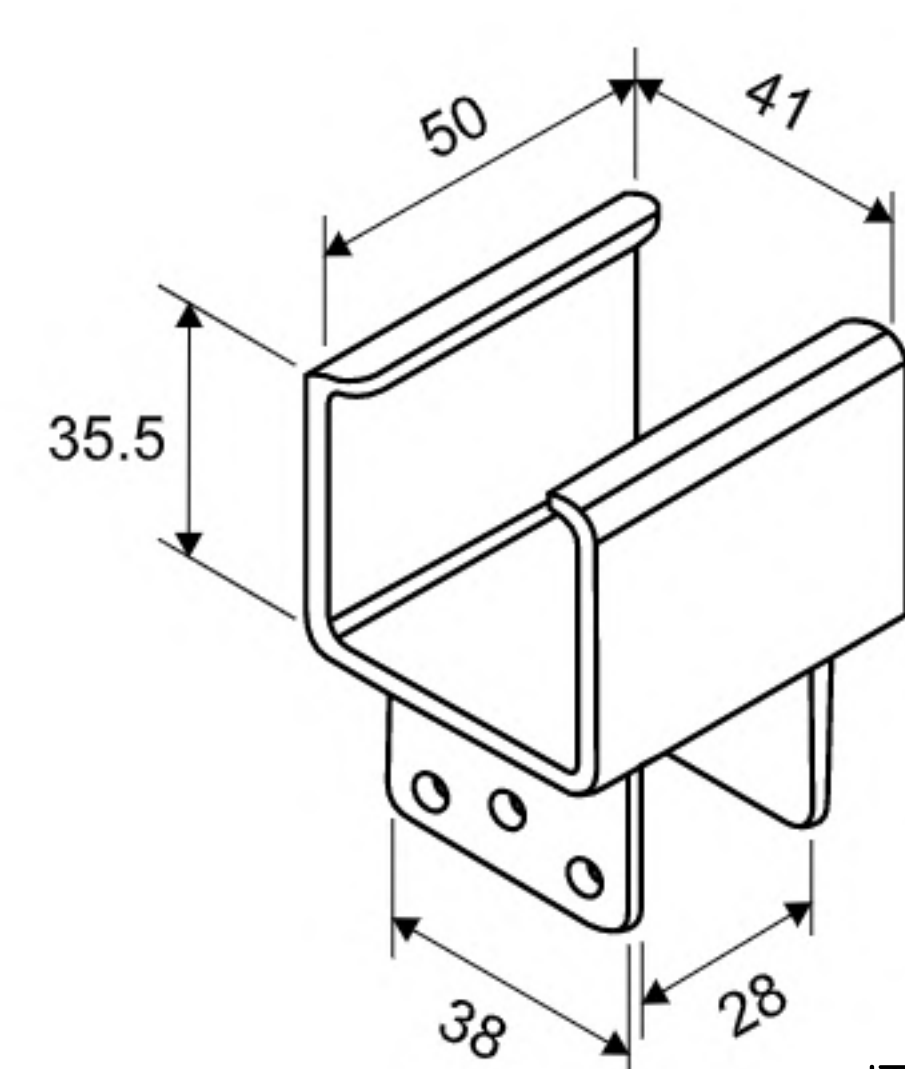
KG/ITEM 0.290
ITEM/PACK 25

RH-40H4B



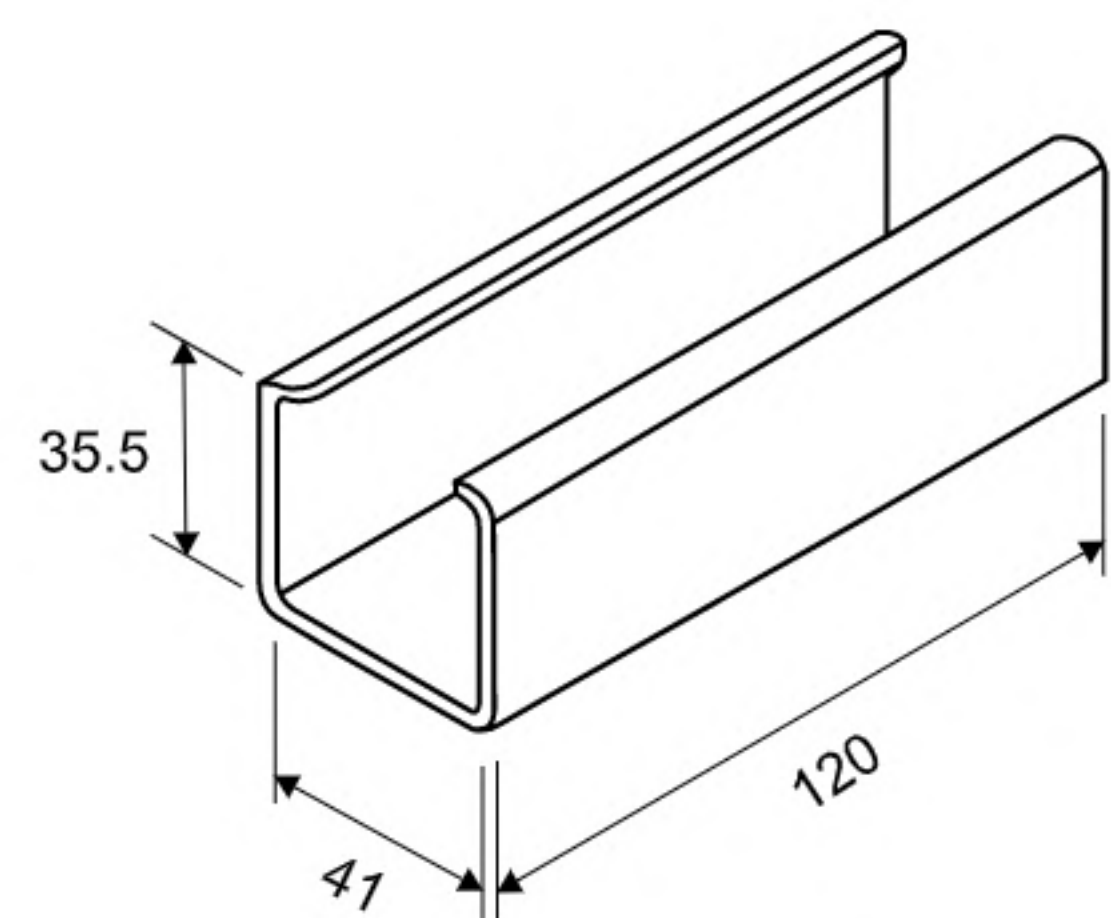
KG/ITEM 0.240
ITEM/PACK 25

RH-40H5



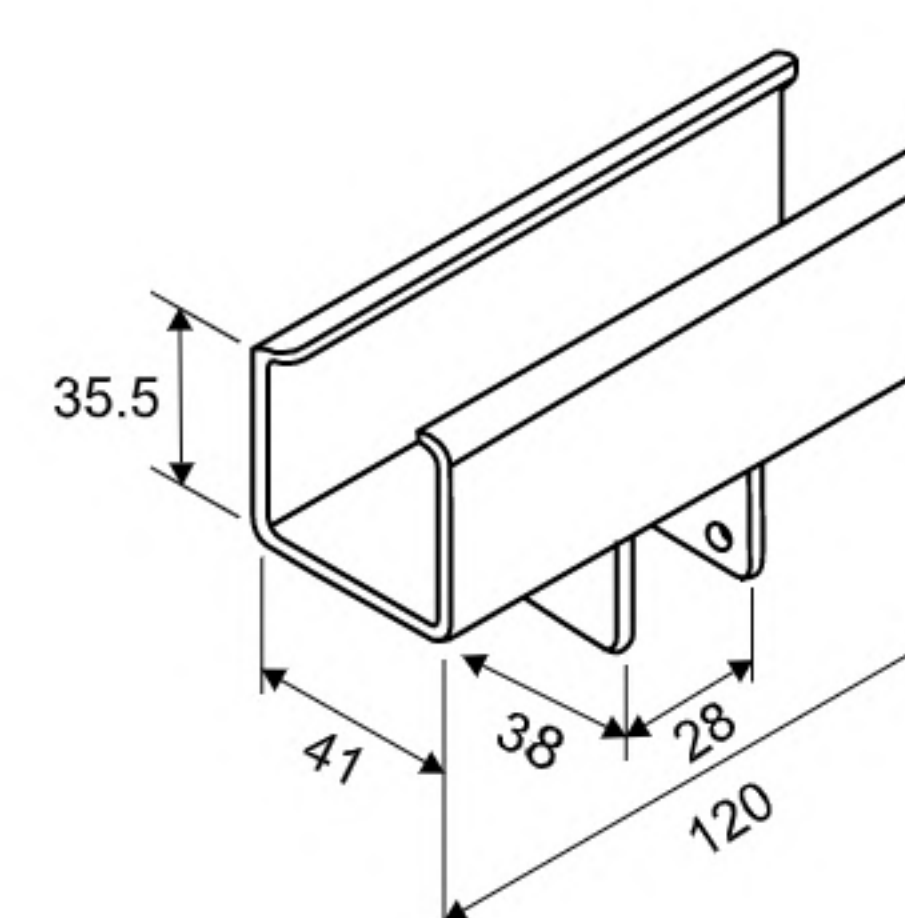
KG/ITEM 0.164
ITEM/PACK 50

RH-40H6



KG/ITEM 0.272
ITEM/PACK 50

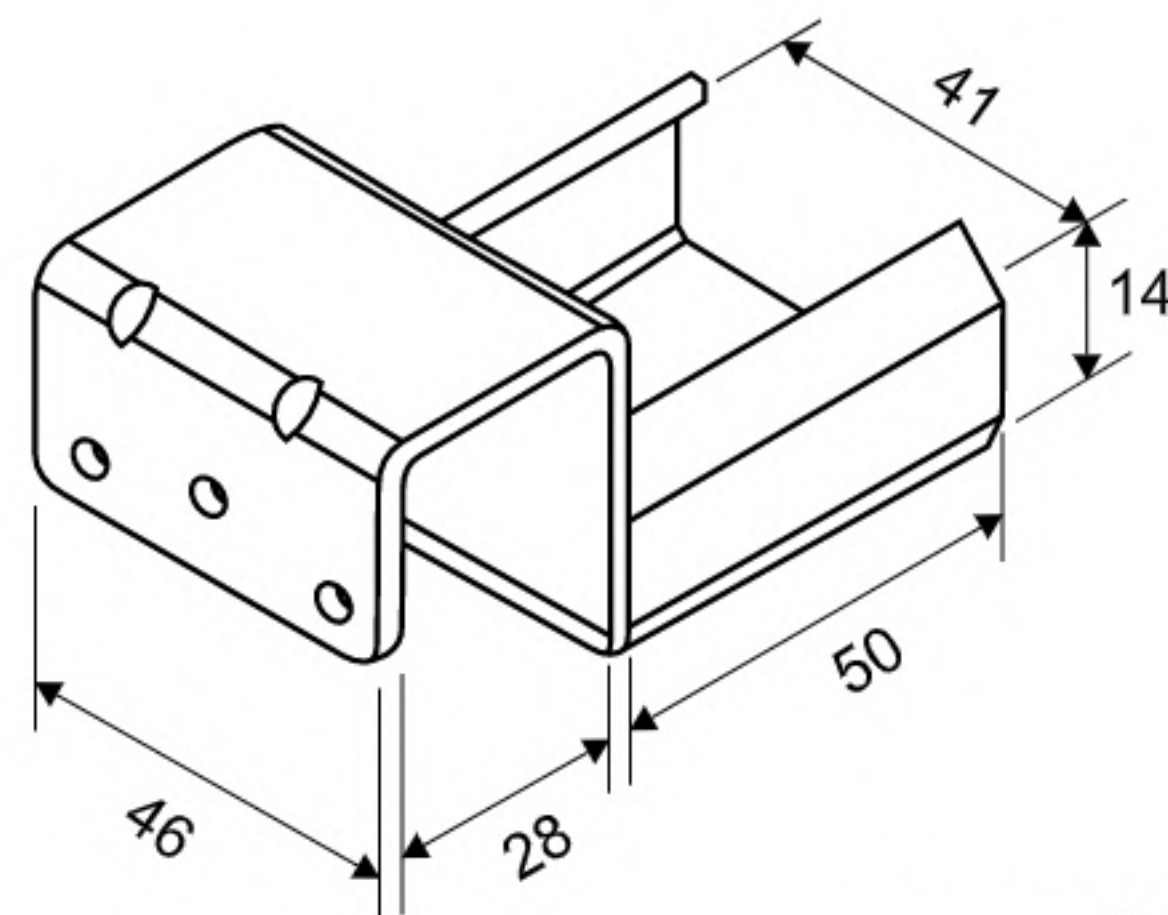
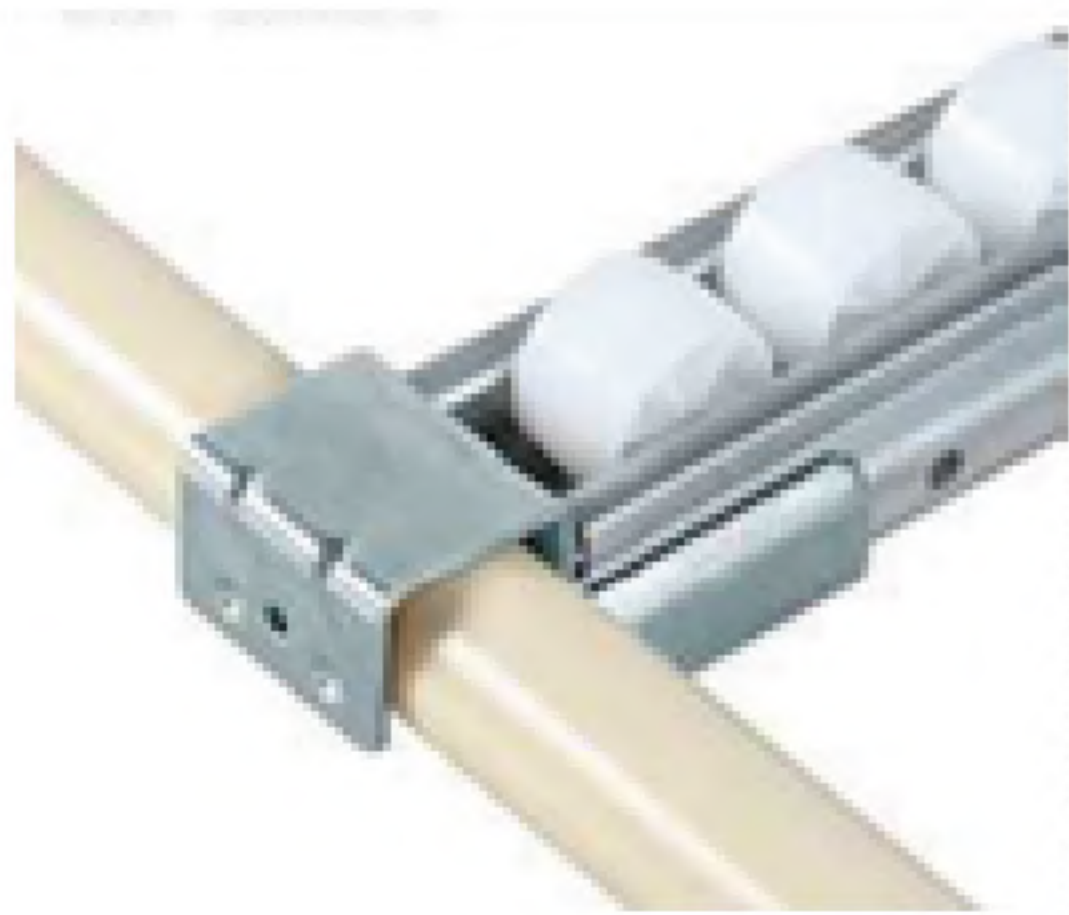
RH-40H6A



KG/ITEM 0.320
ITEM/PACK 20

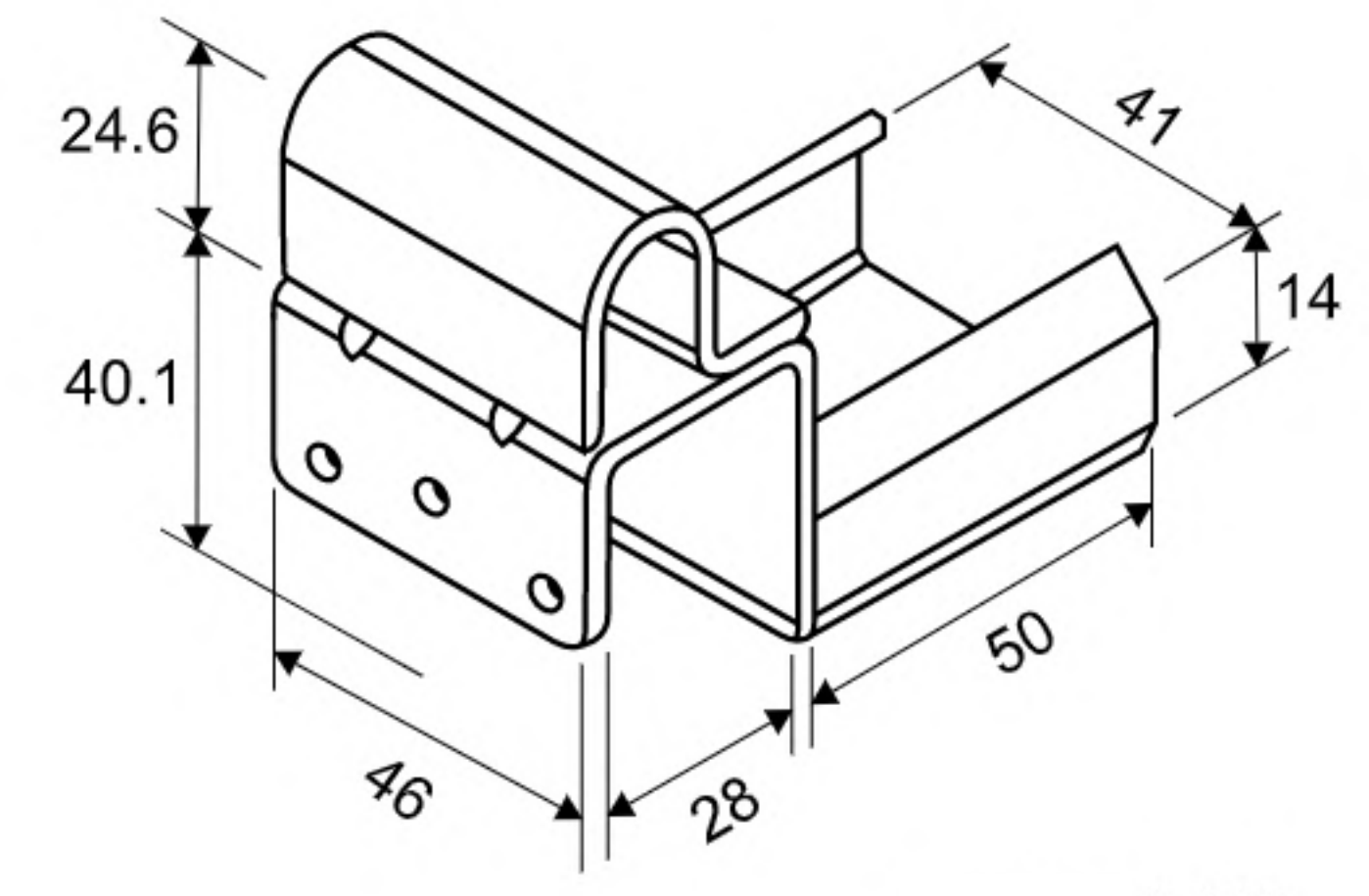
TRANSPORTATION PALLETS

RH-40BH1



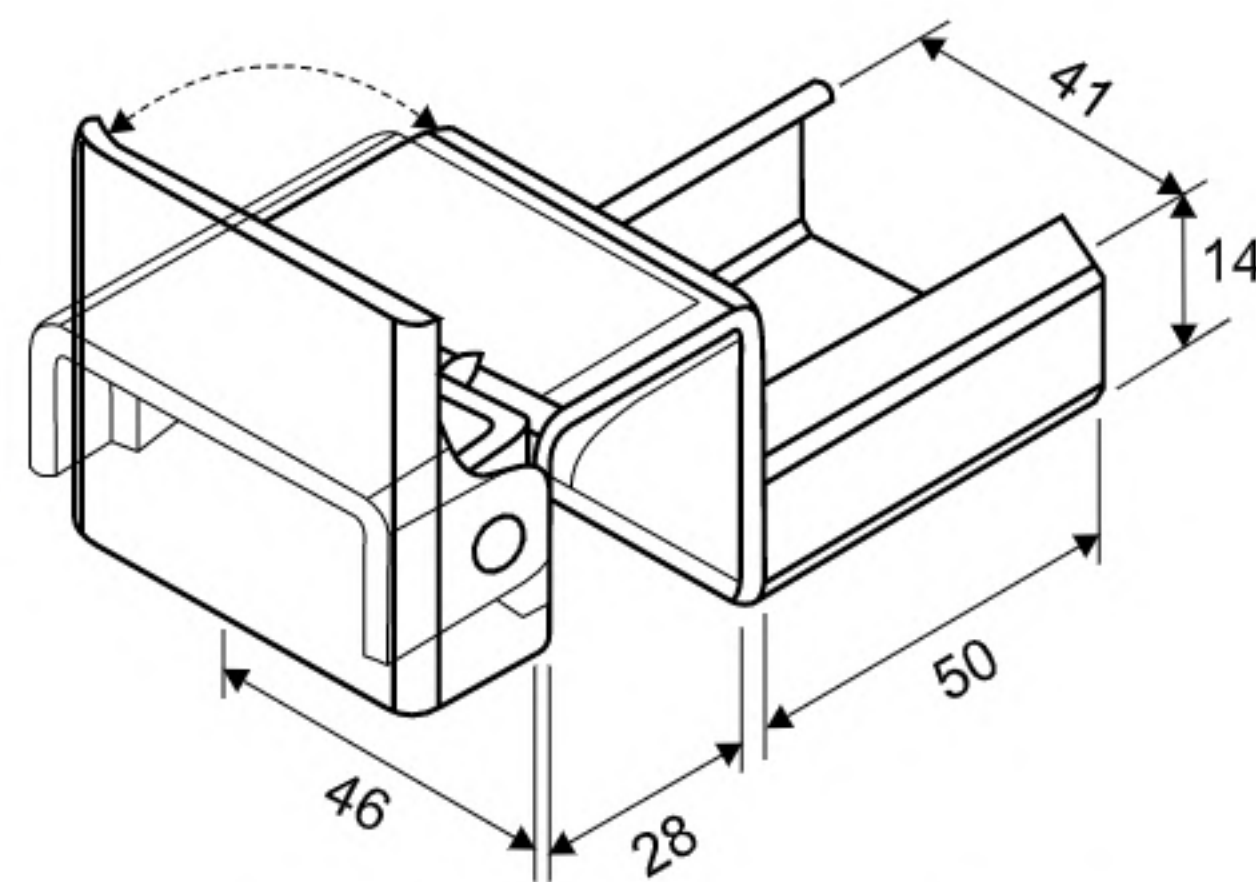
KG/ITEM 0.141
ITEM/PACK 65

RH-40BH2A



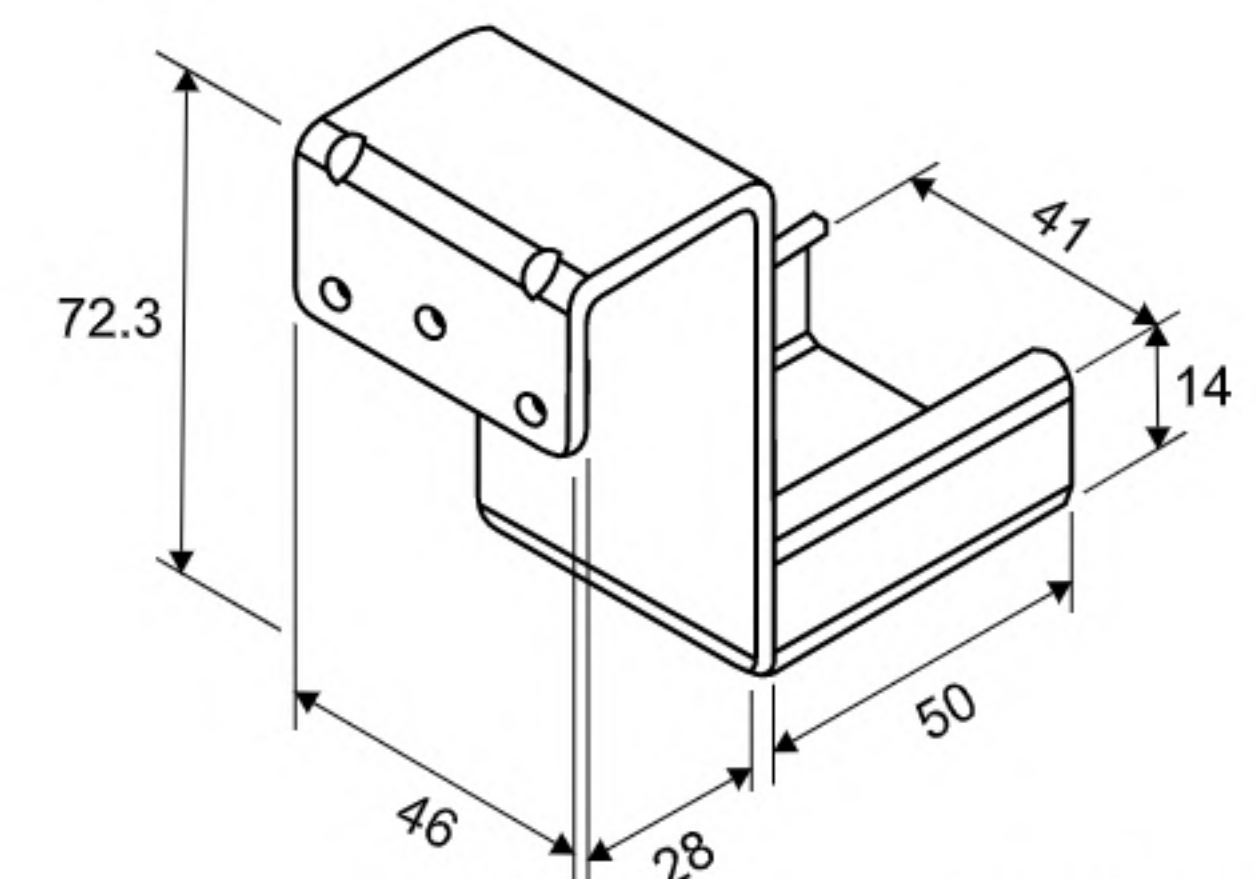
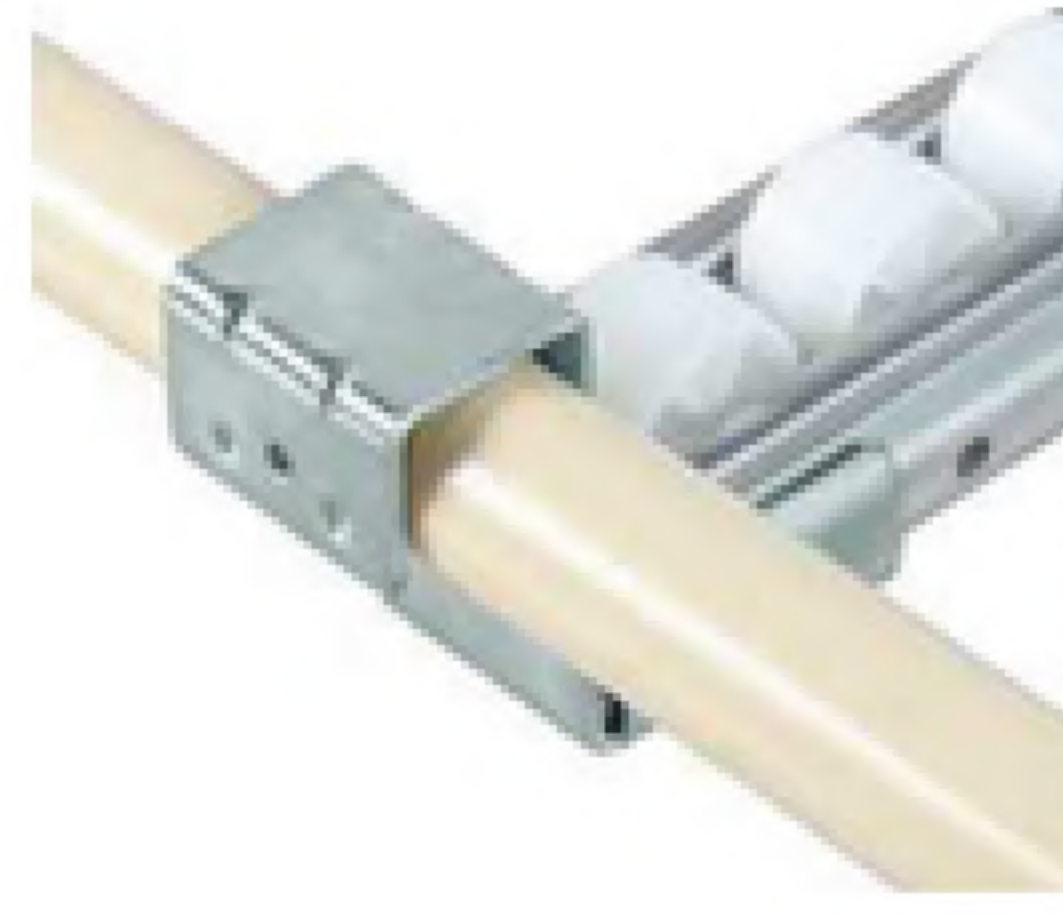
KG/ITEM 0.193
ITEM/PACK 45

RH-40BH2B



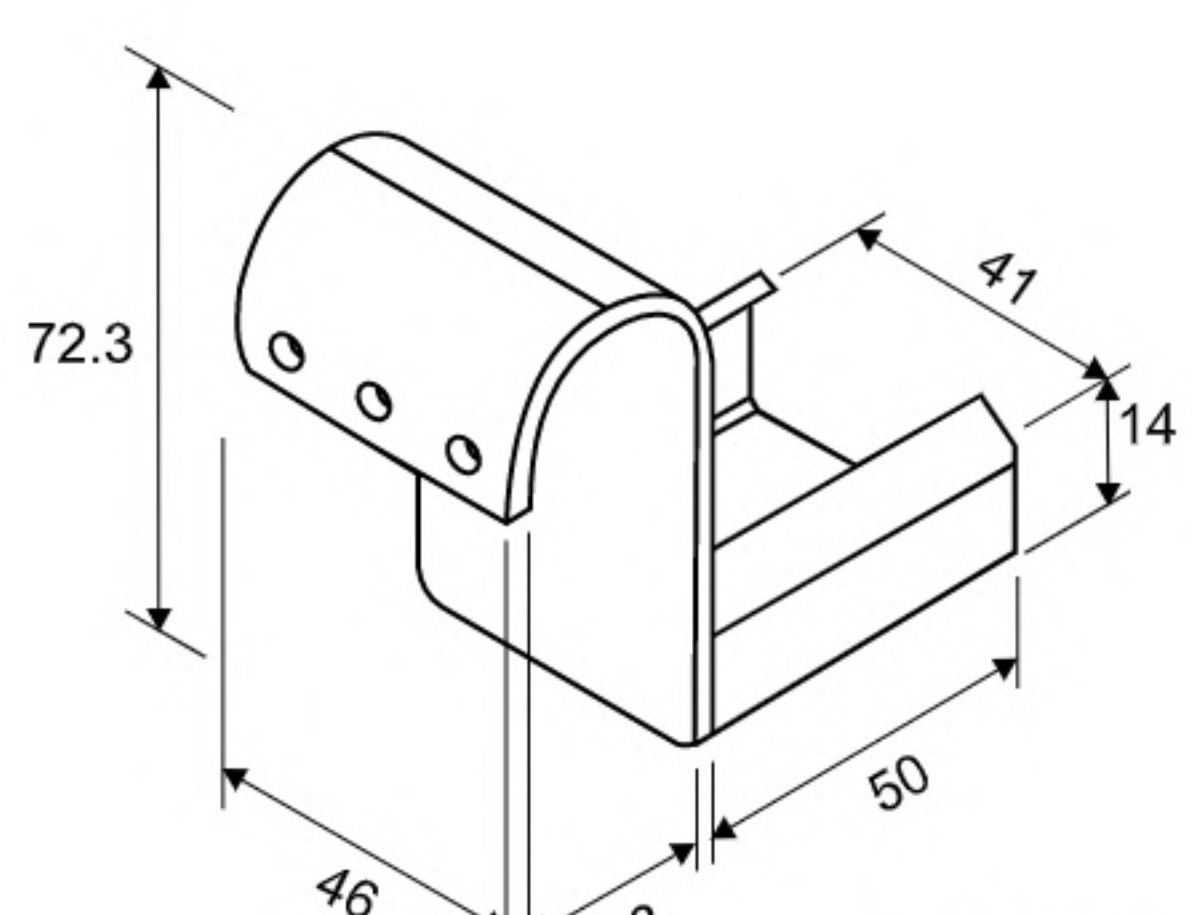
KG/ITEM 0.167
ITEM/PACK 60

RH-40BH3



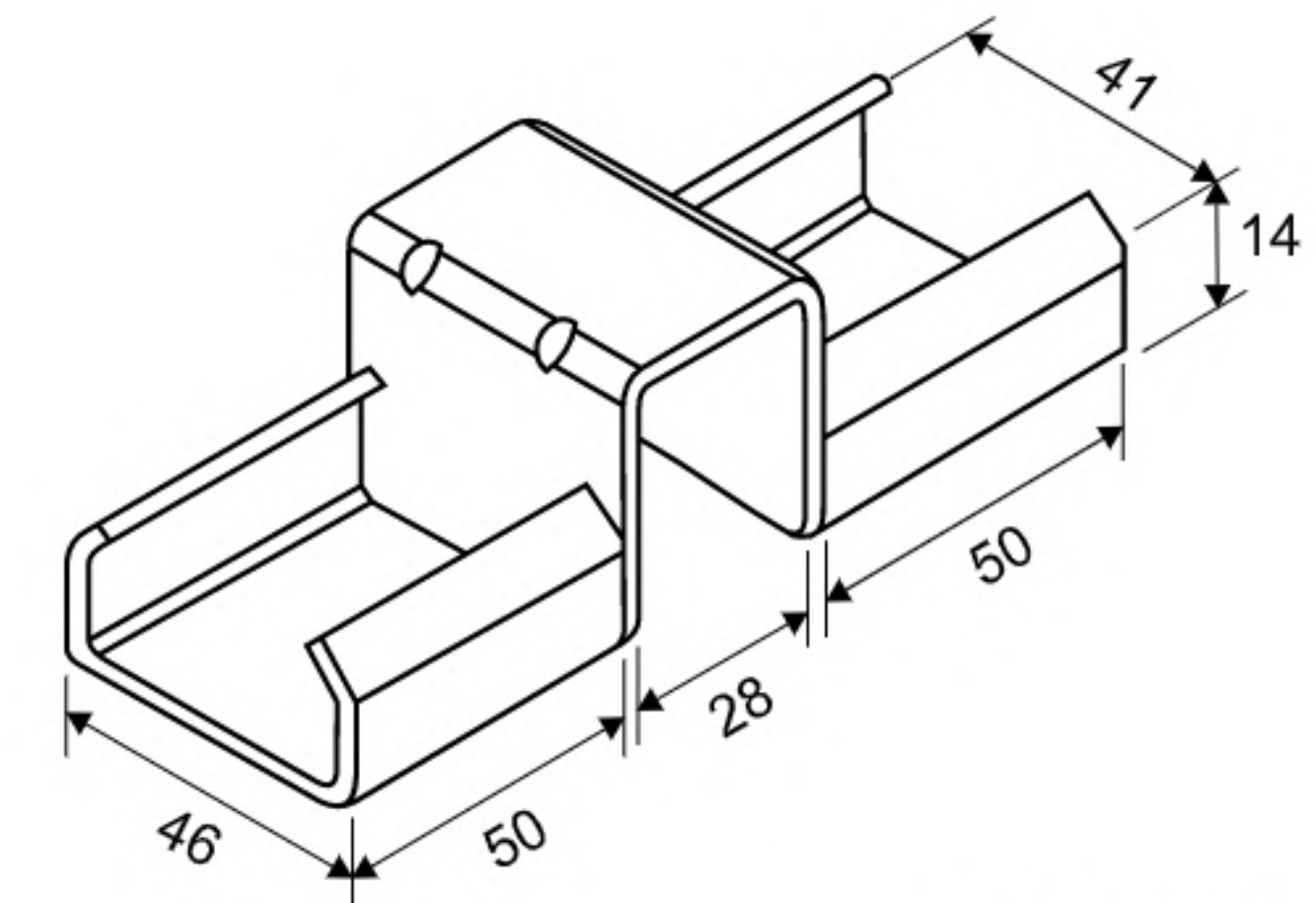
KG/ITEM 0.167
ITEM/PACK 60

RH-40BH3A



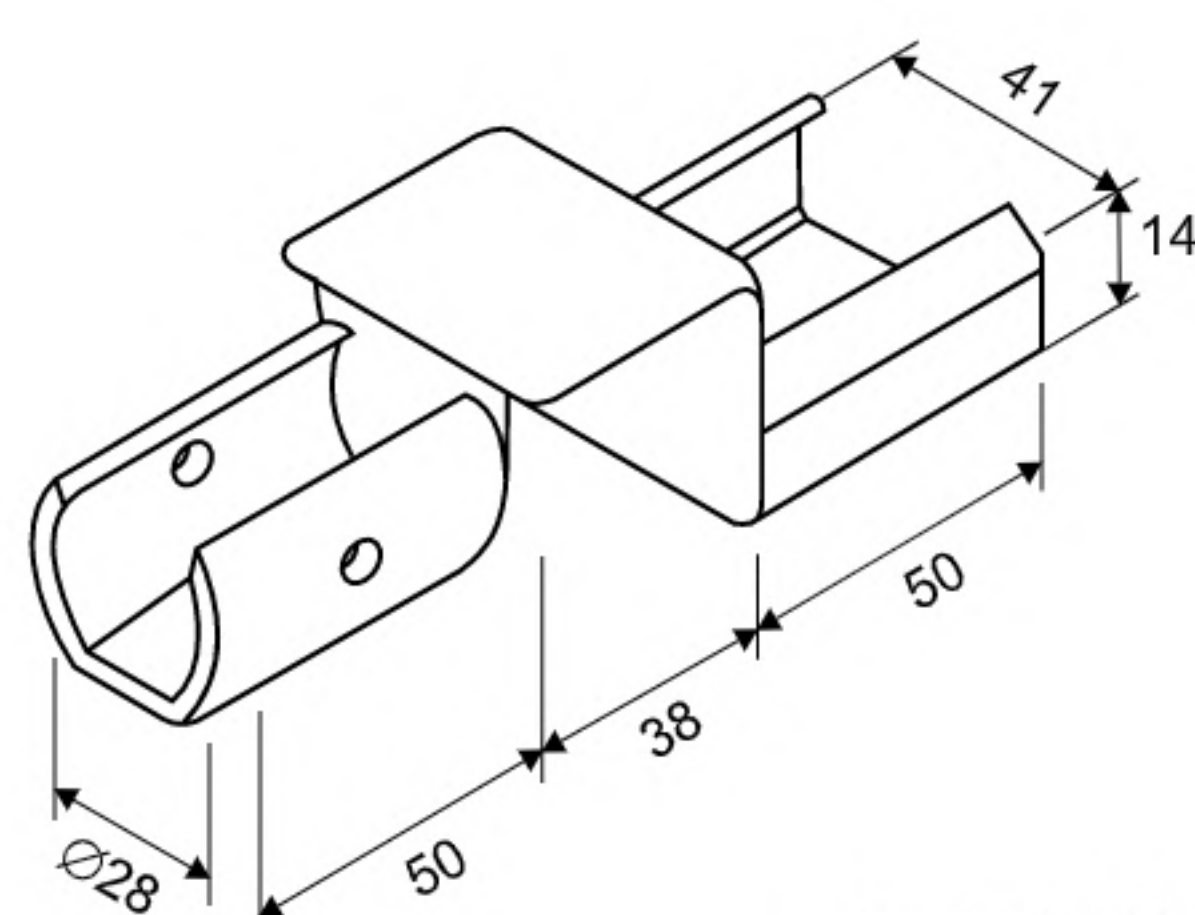
KG/ITEM 0.180
ITEM/PACK 35

RH-40BH4



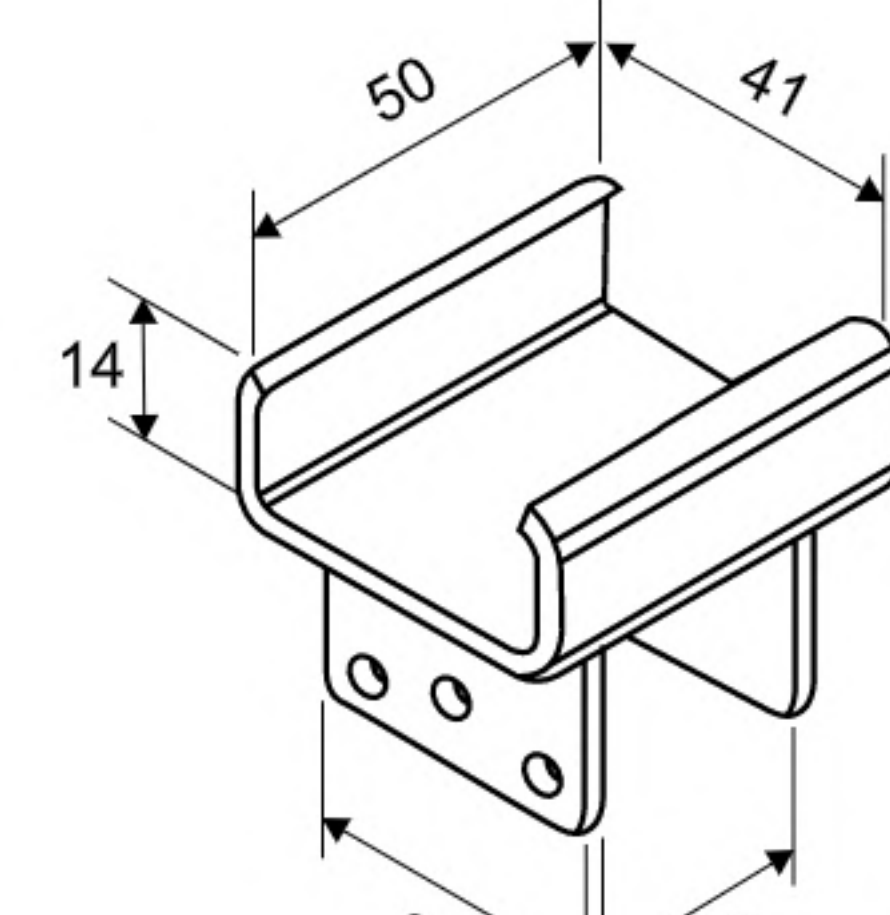
KG/ITEM 0.270
ITEM/PACK 35

RH-40BH4B



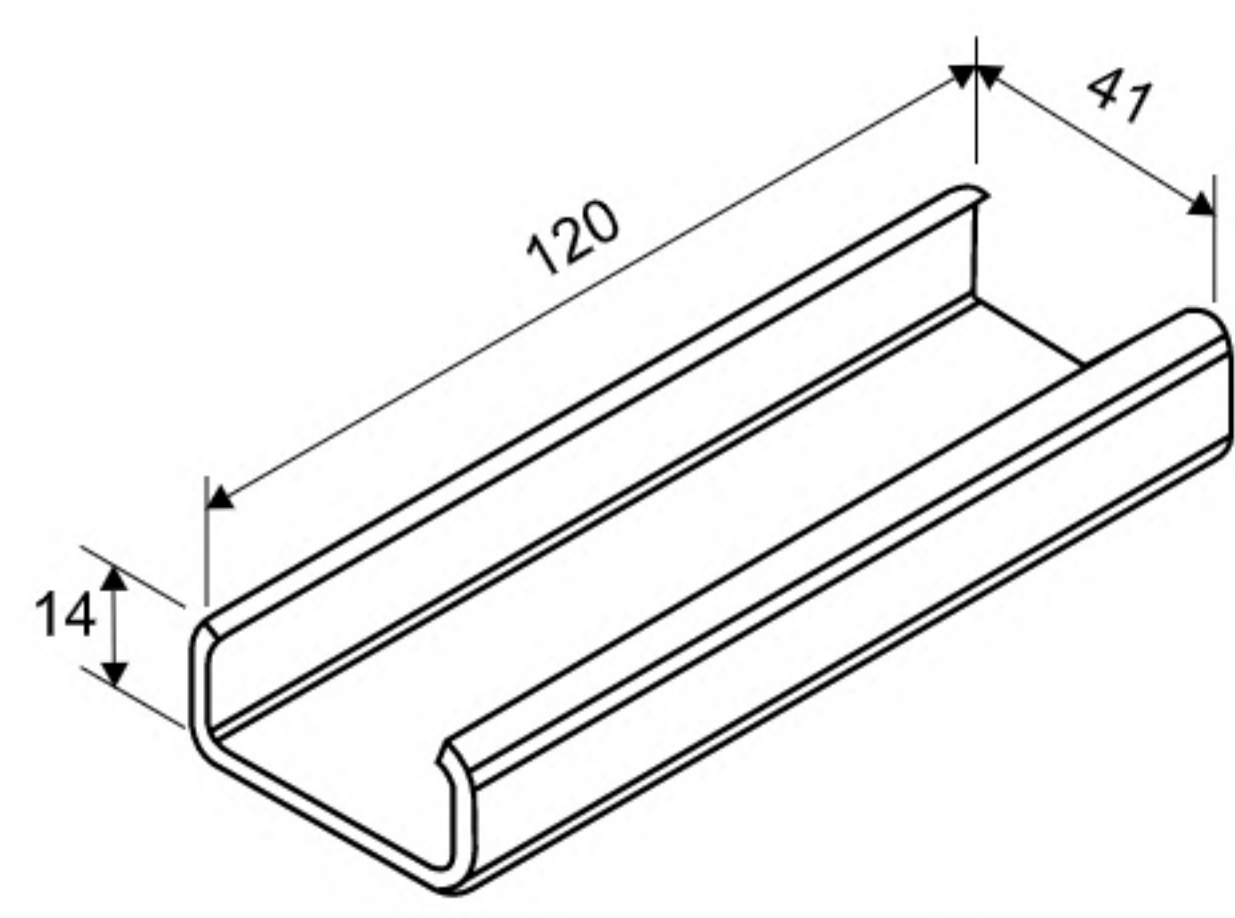
KG/ITEM 0.190
ITEM/PACK 40

RH-40BH5



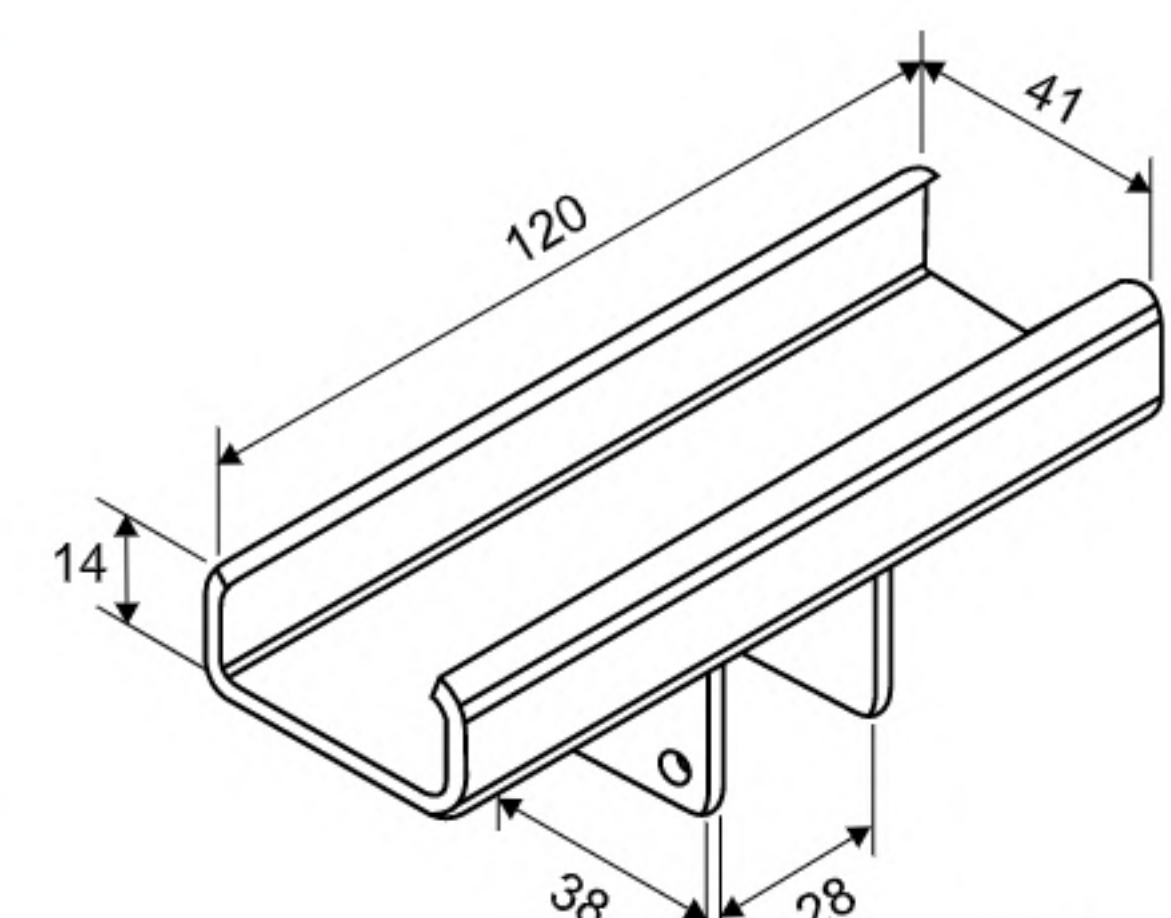
KG/ITEM 0.120
ITEM/PACK 100

RH-40BH6



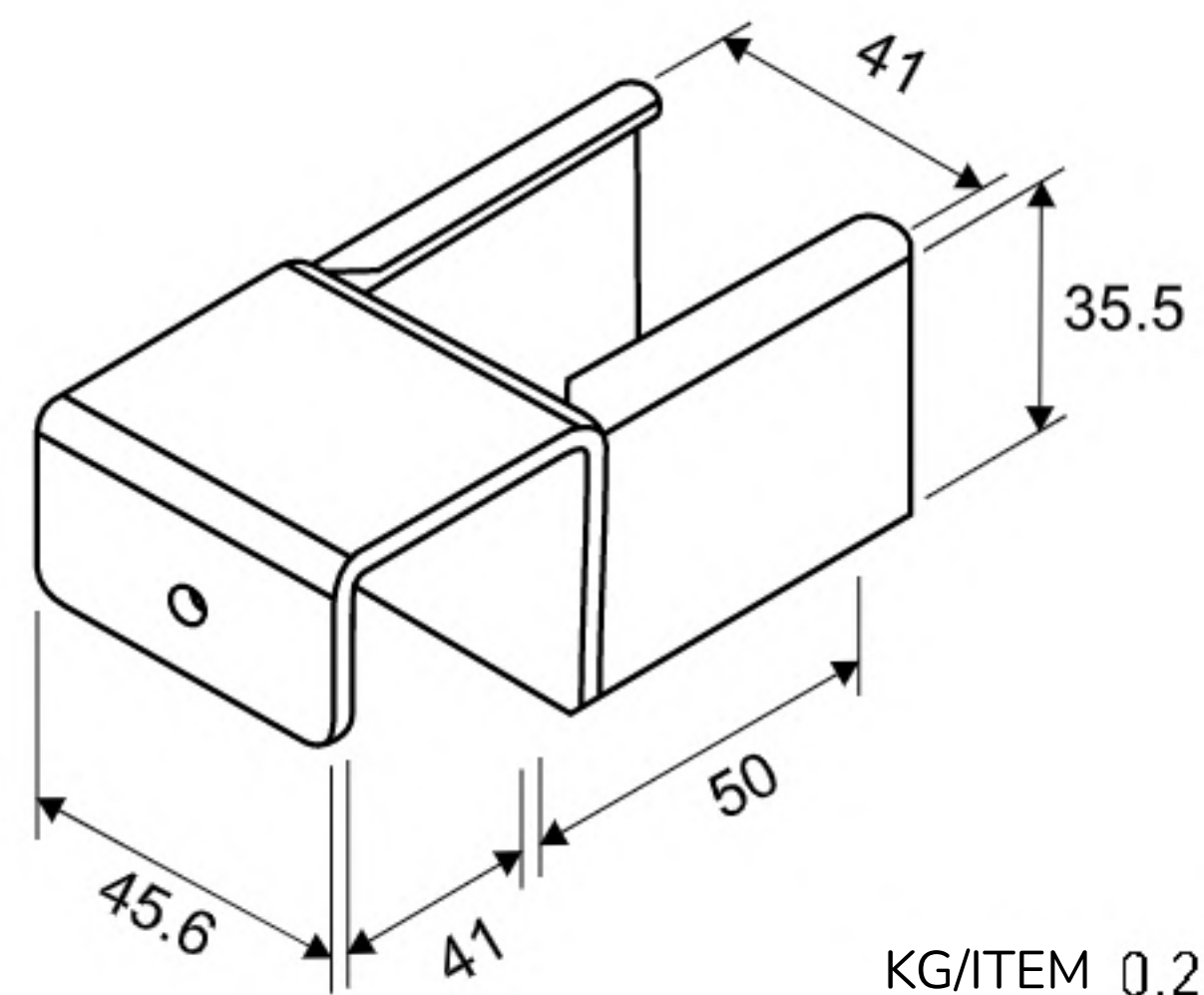
KG/ITEM 0.180
ITEM/PACK 85

RH-40BH6A



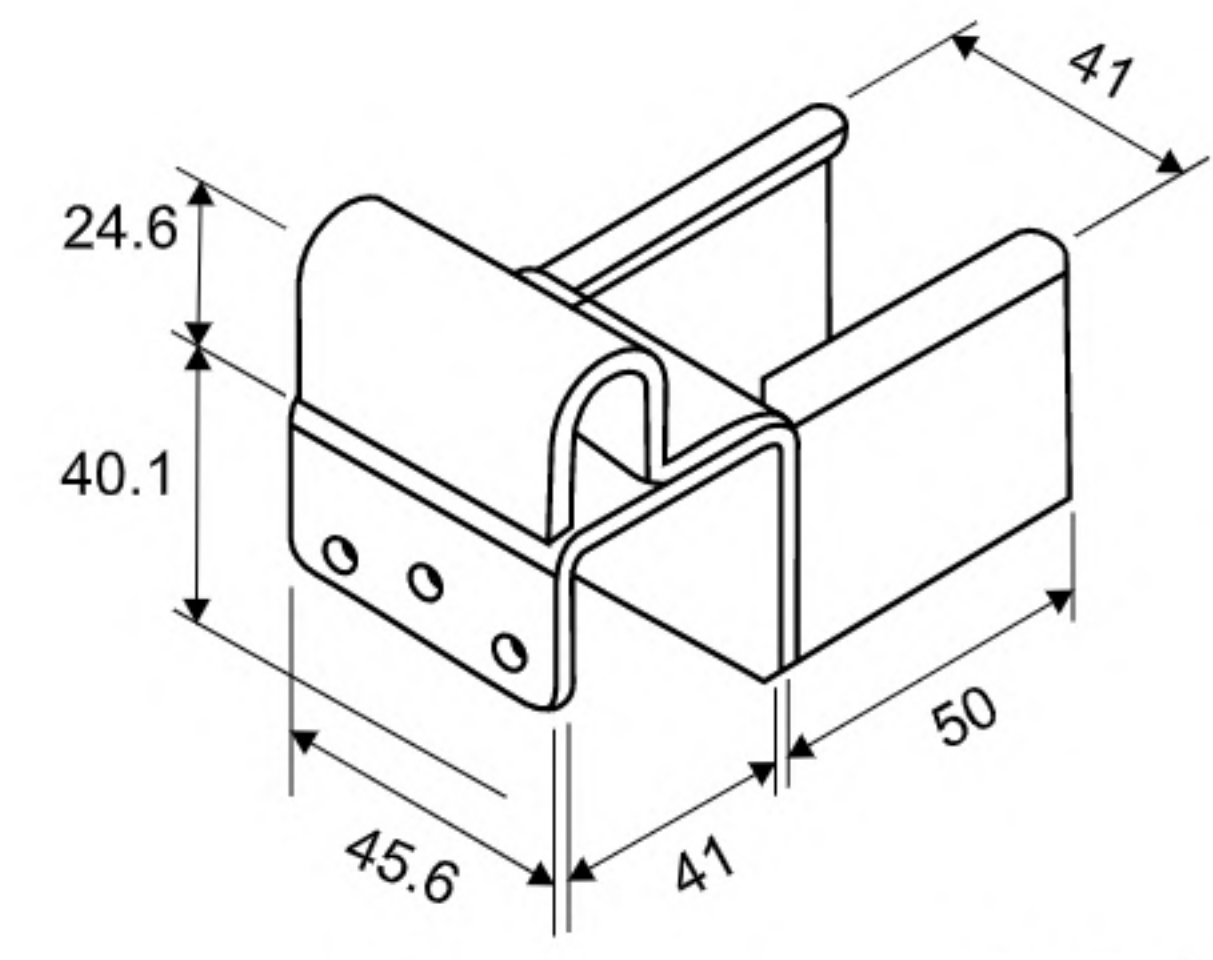
KG/ITEM 0.230
ITEM/PACK 40

RH-4040H1



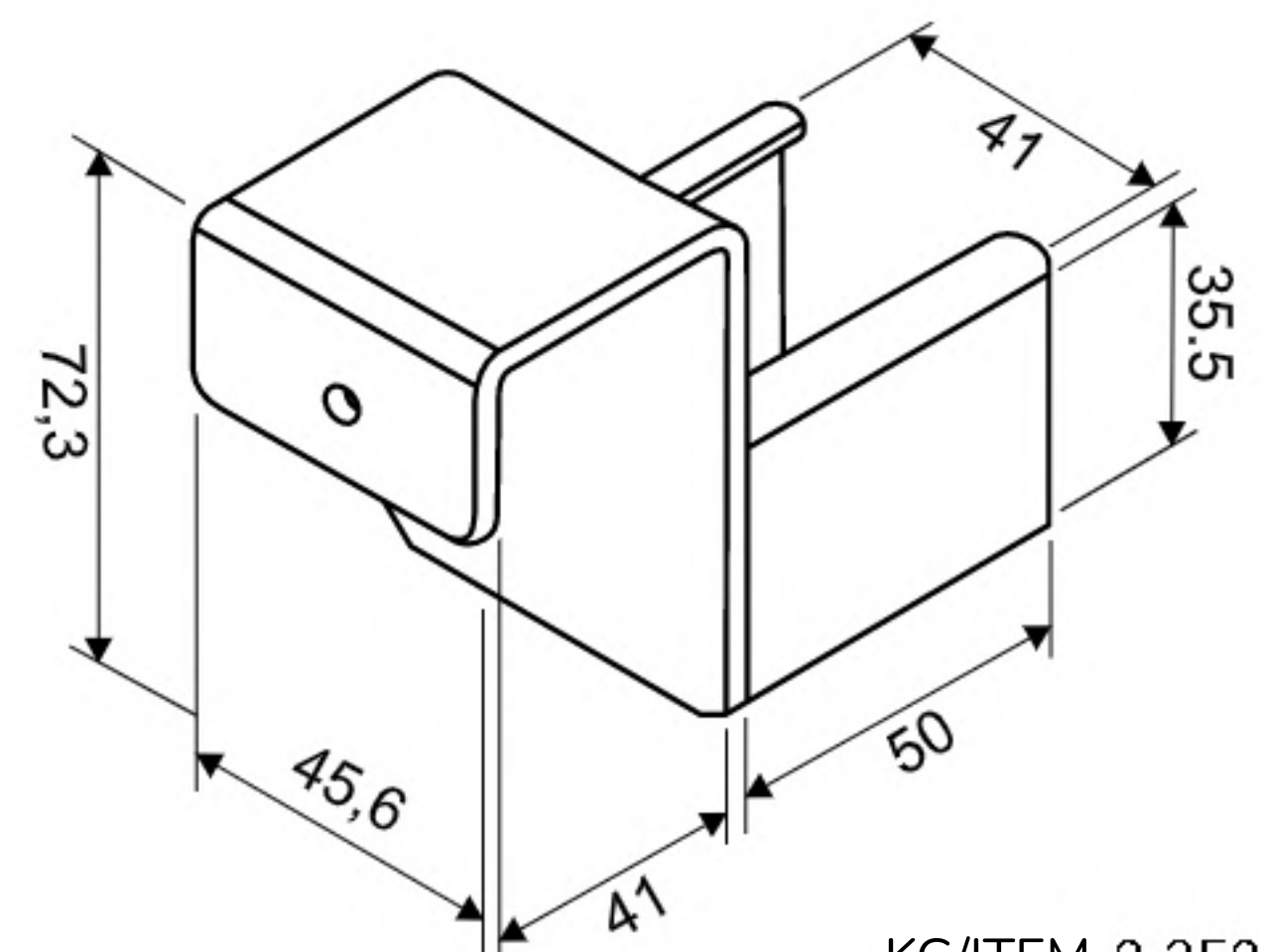
KG/ITEM 0.220
ITEM/PACK 45

RH-4040H2A



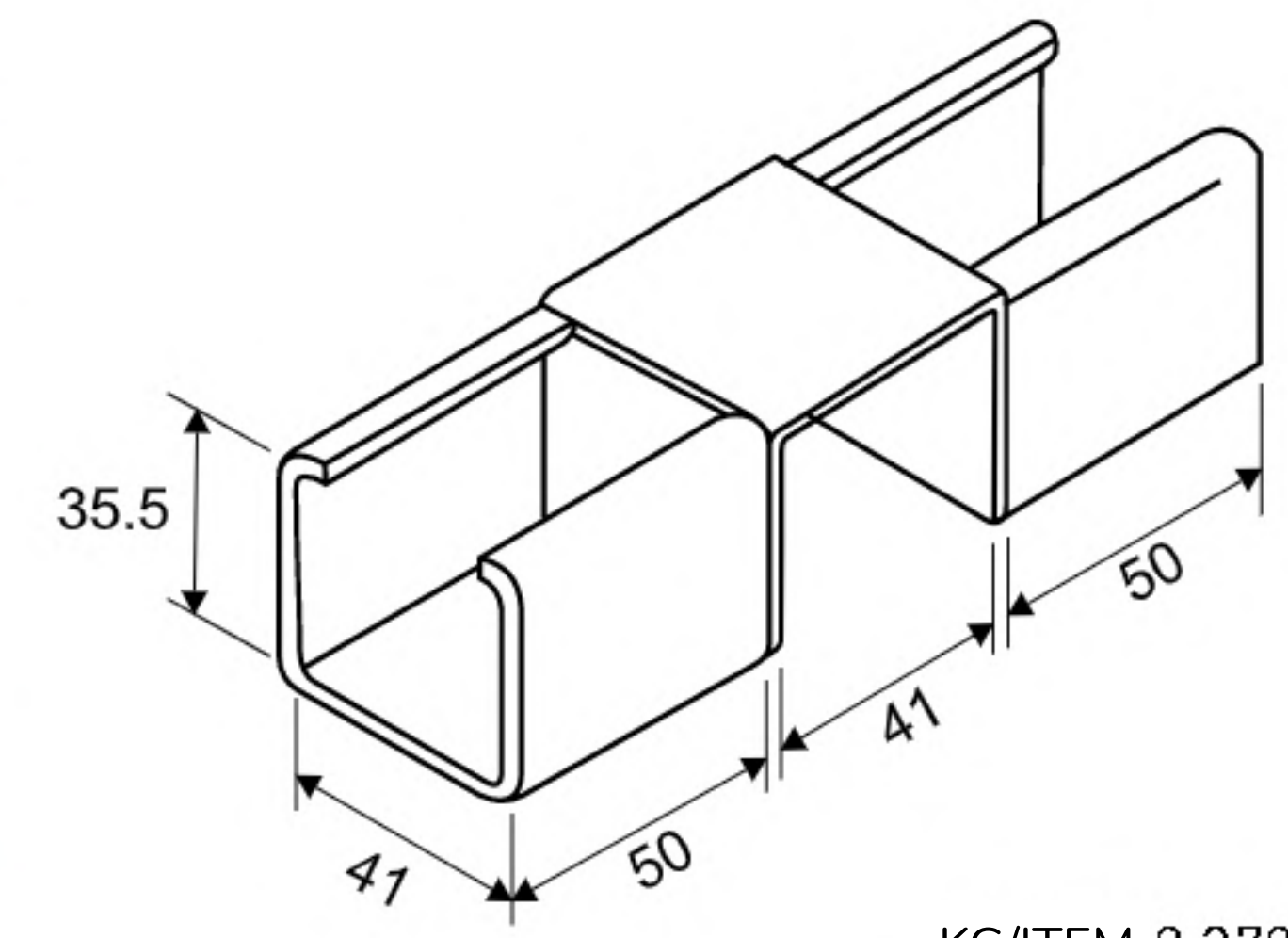
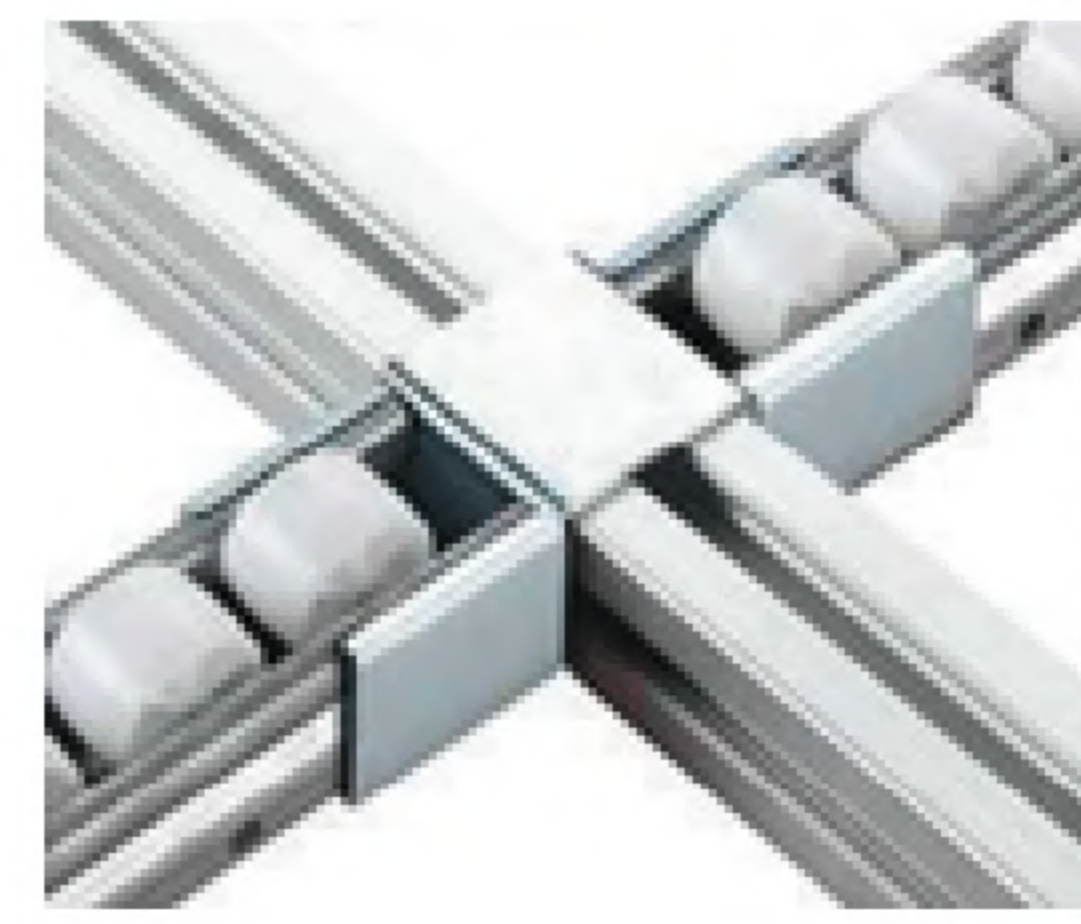
KG/ITEM 0.272
ITEM/PACK 40

RH-4040H3



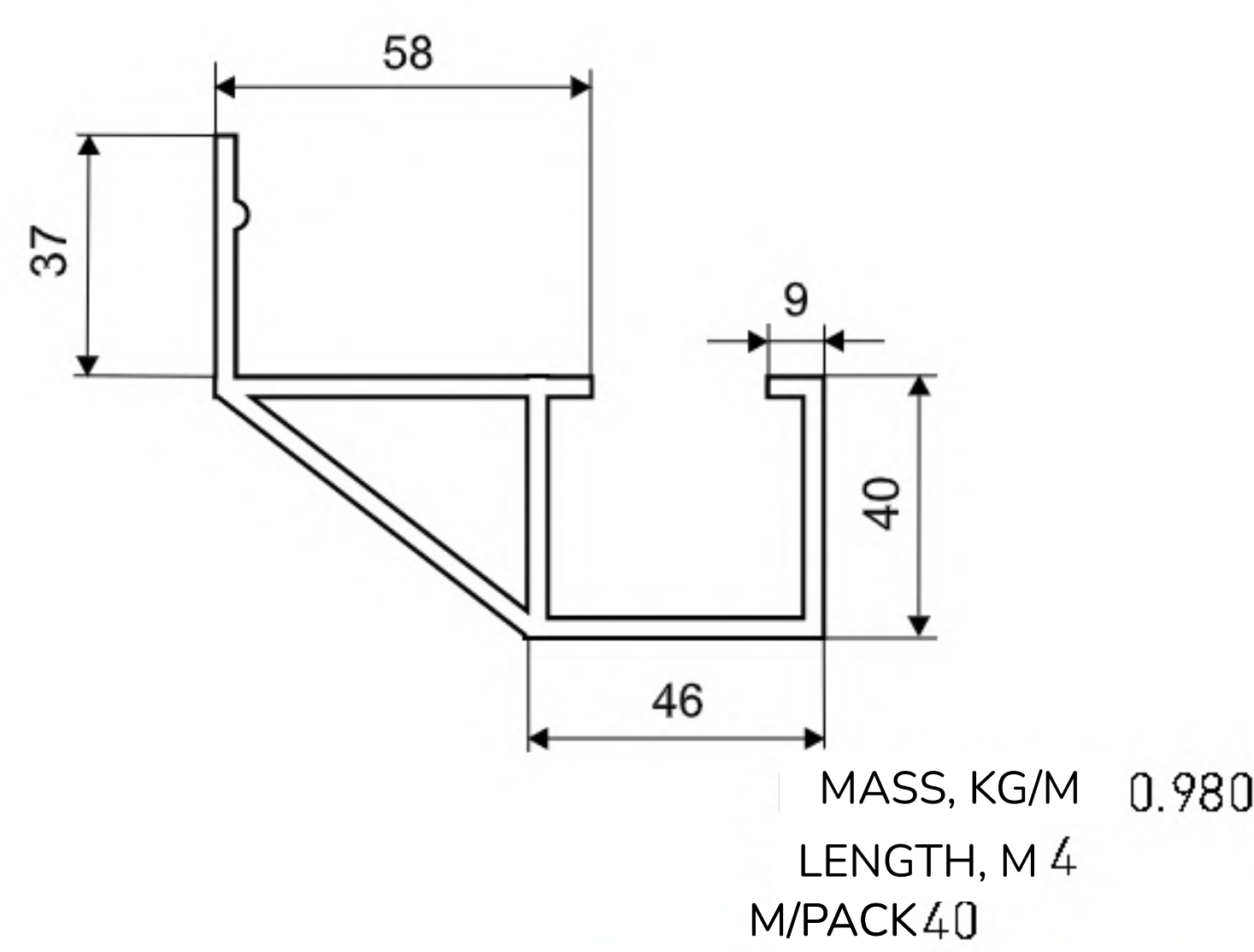
KG/ITEM 0.250
ITEM/PACK 35

RH-4040H4



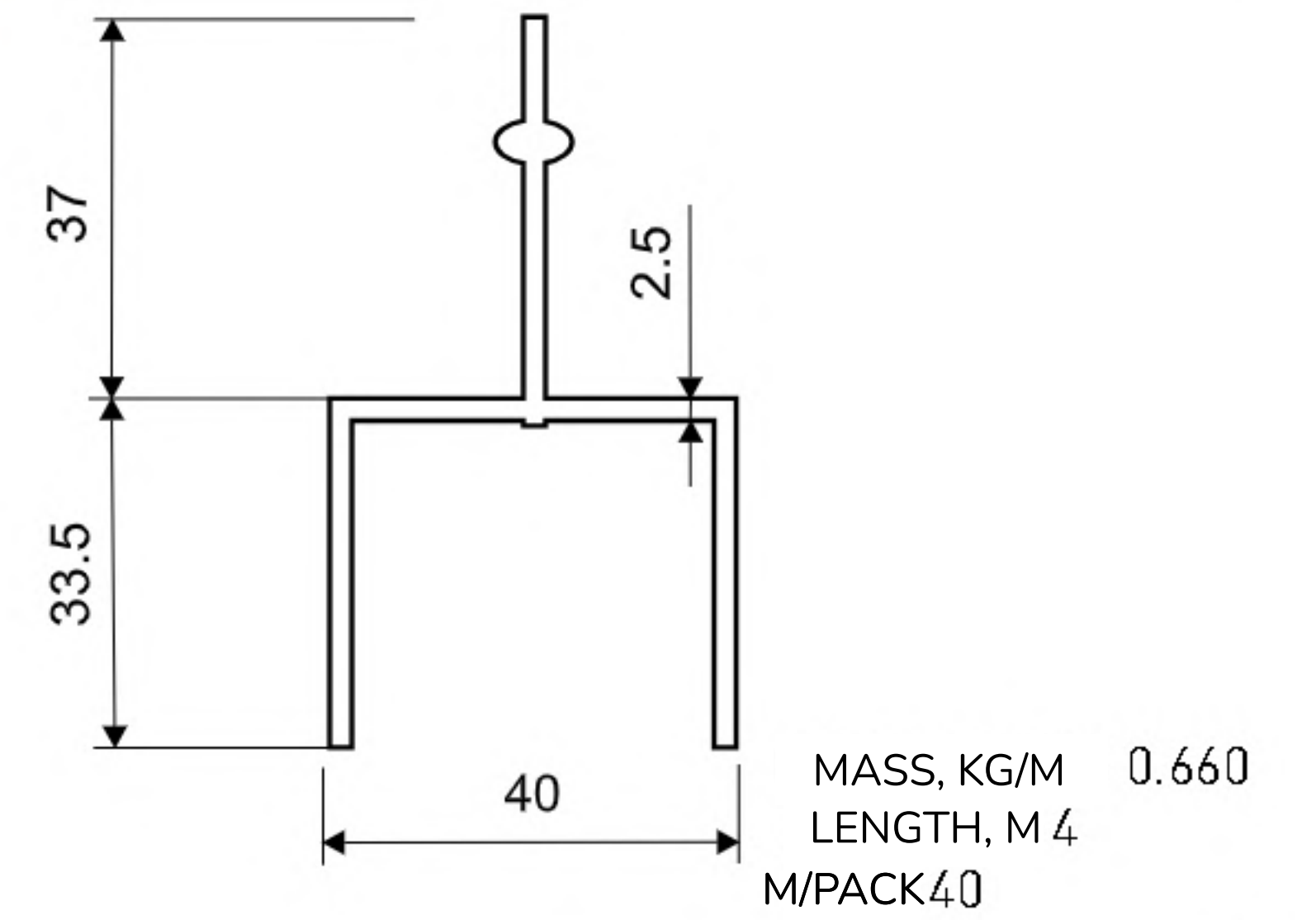
KG/ITEM 0.370
ITEM/PACK 20

RP-40A



MASS, KG/M 0.980
LENGTH, M 4
M/PACK 40

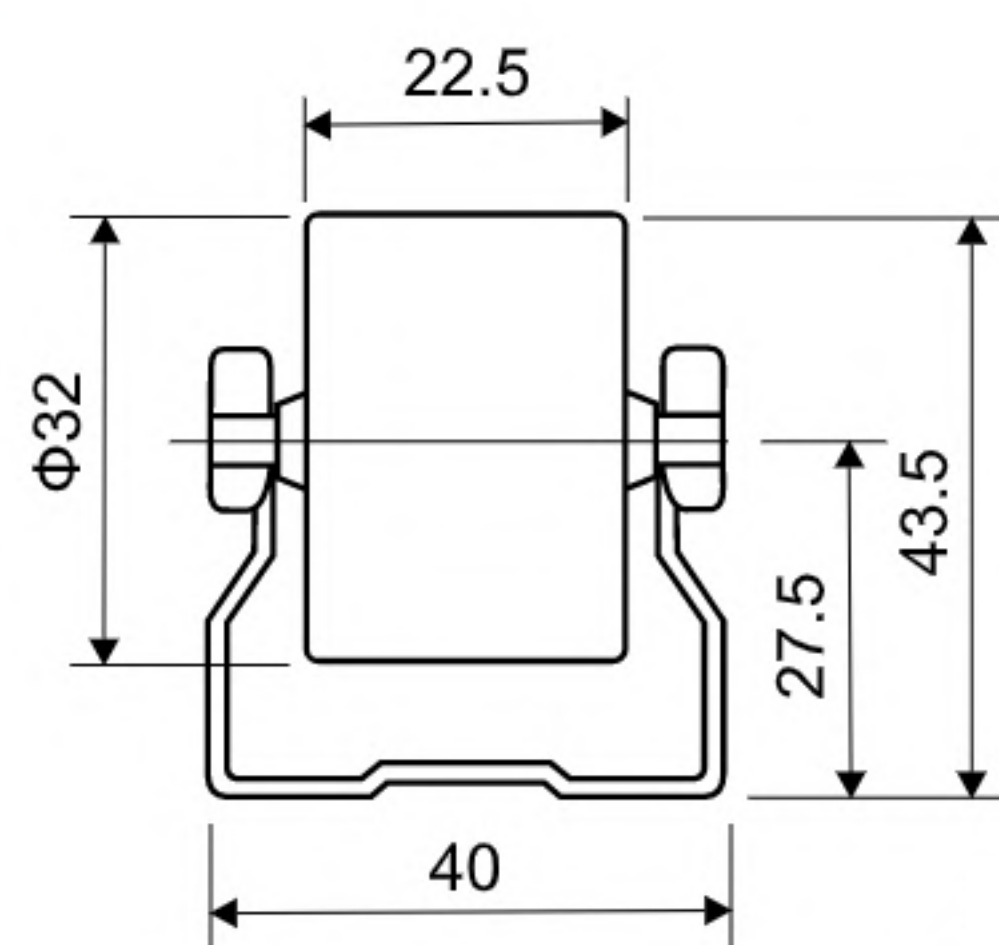
RP-40B



MASS, KG/M 0.660
LENGTH, M 4
M/PACK 40

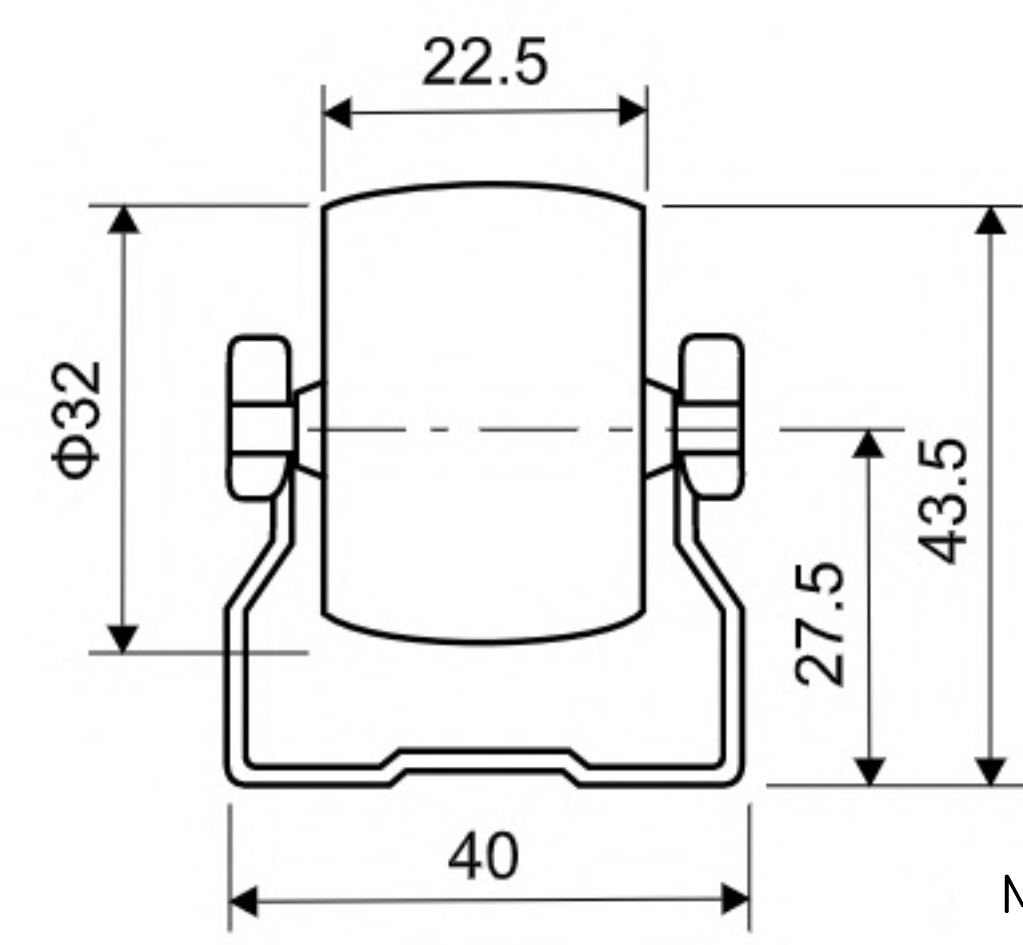
ELECTRICAL CONDUIT SERIES

R-4036ESD



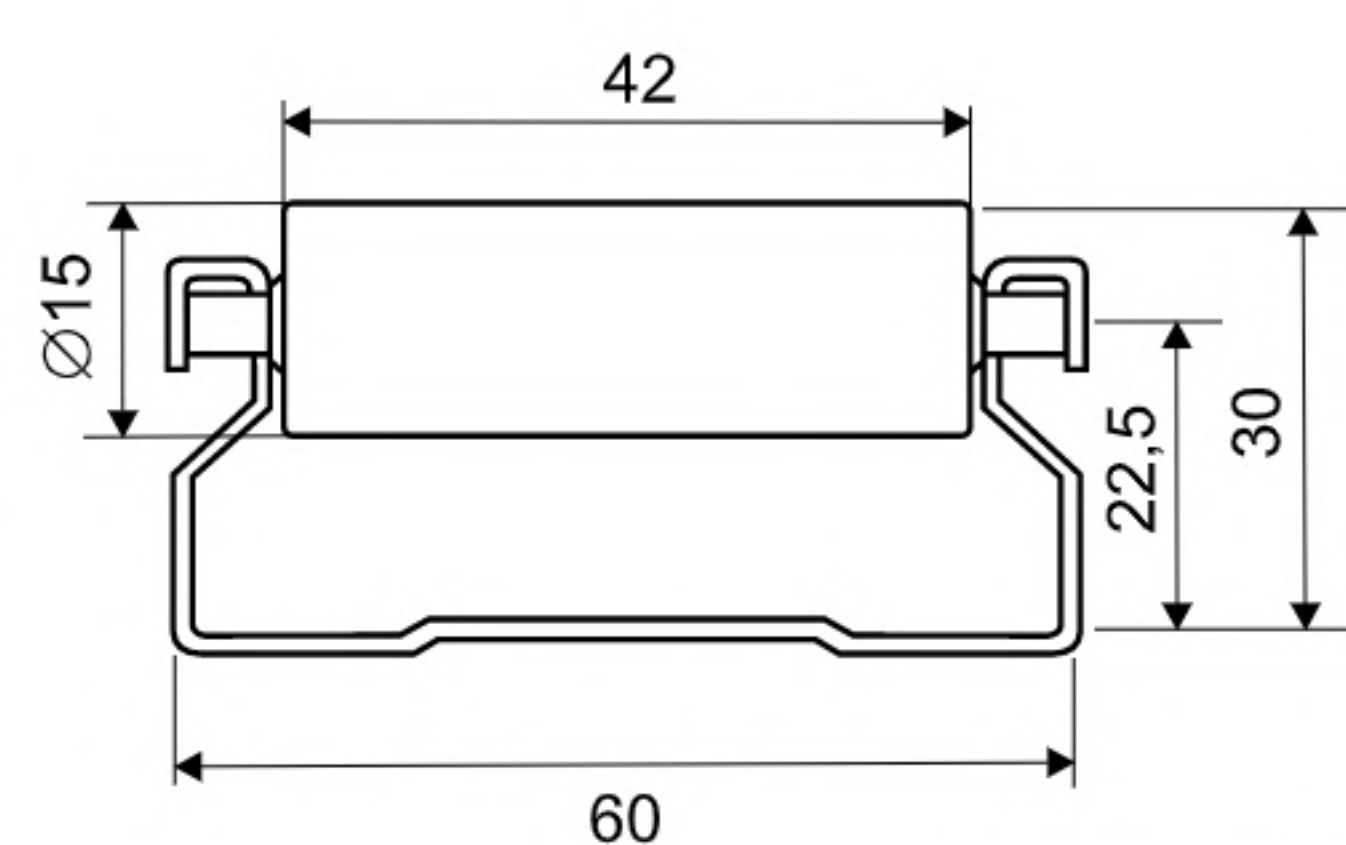
MASS, KG/M 1.100
LENGTH, M 4
M/PACK 40

R-4036ESDA



MASS, KG/M 1.100
LENGTH, M 4
M/PACK 40

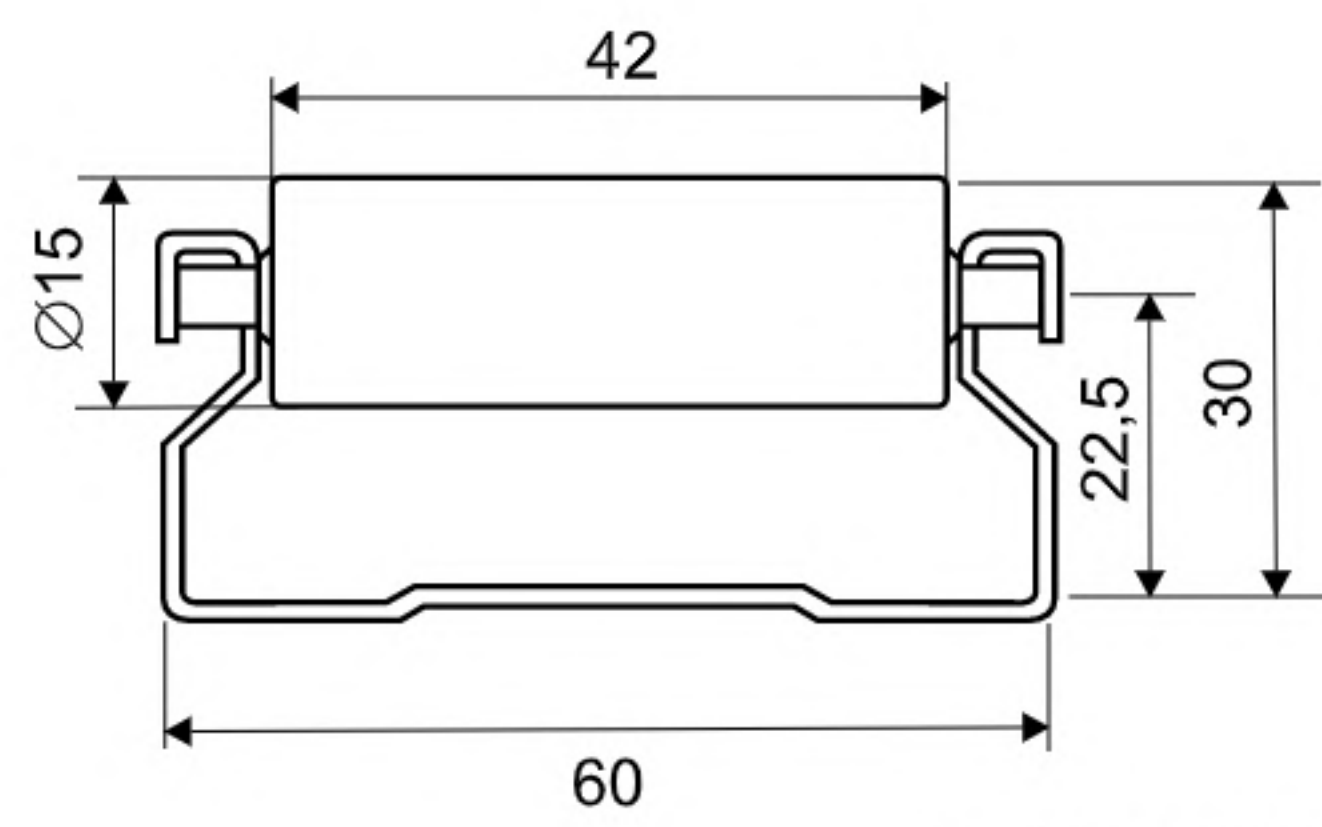
R-6016ESD



MASS, KG/M 1.350
LENGTH, M 4
M/PACK 28

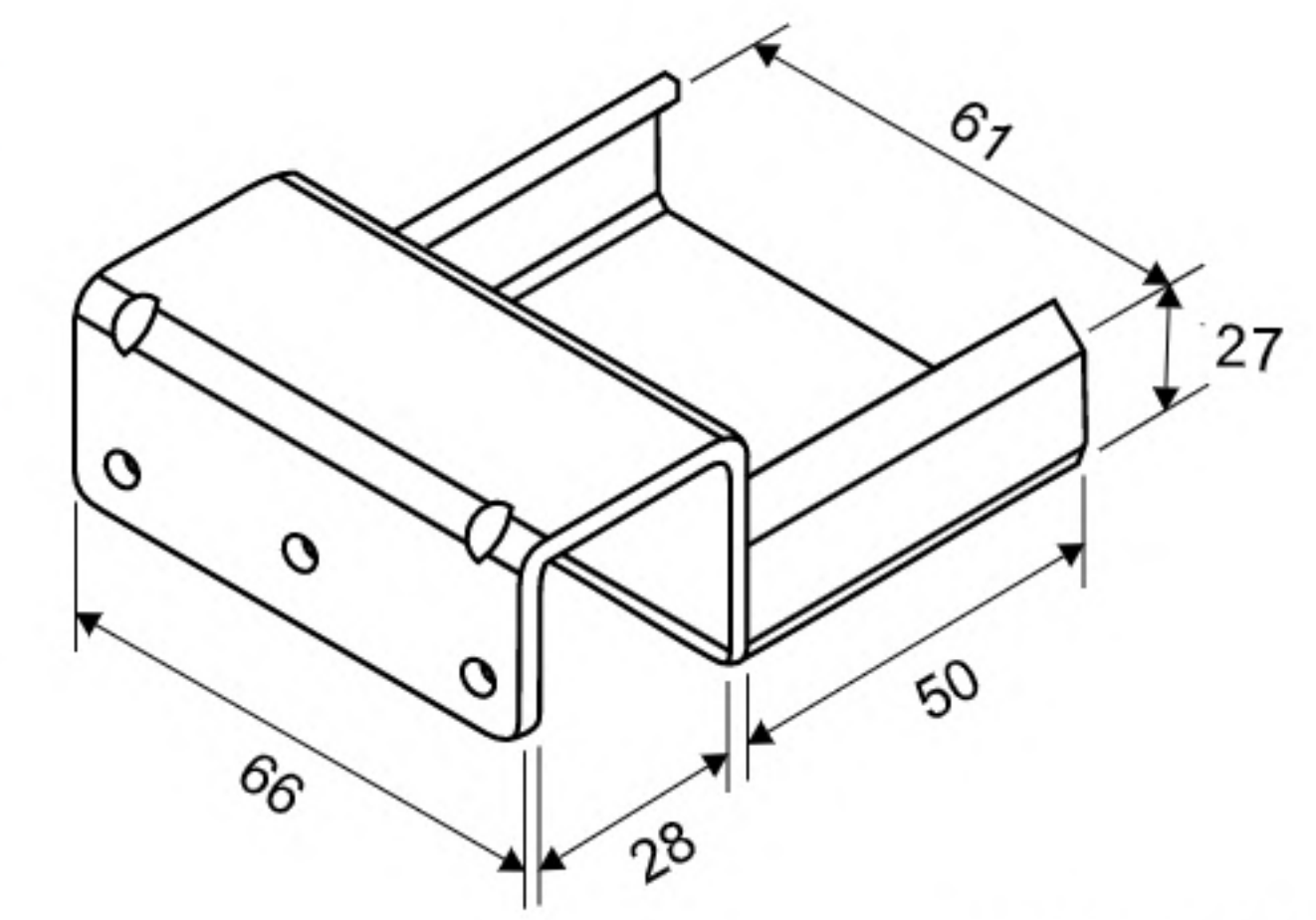
TRANSPORTATION PALLETS

R-6016



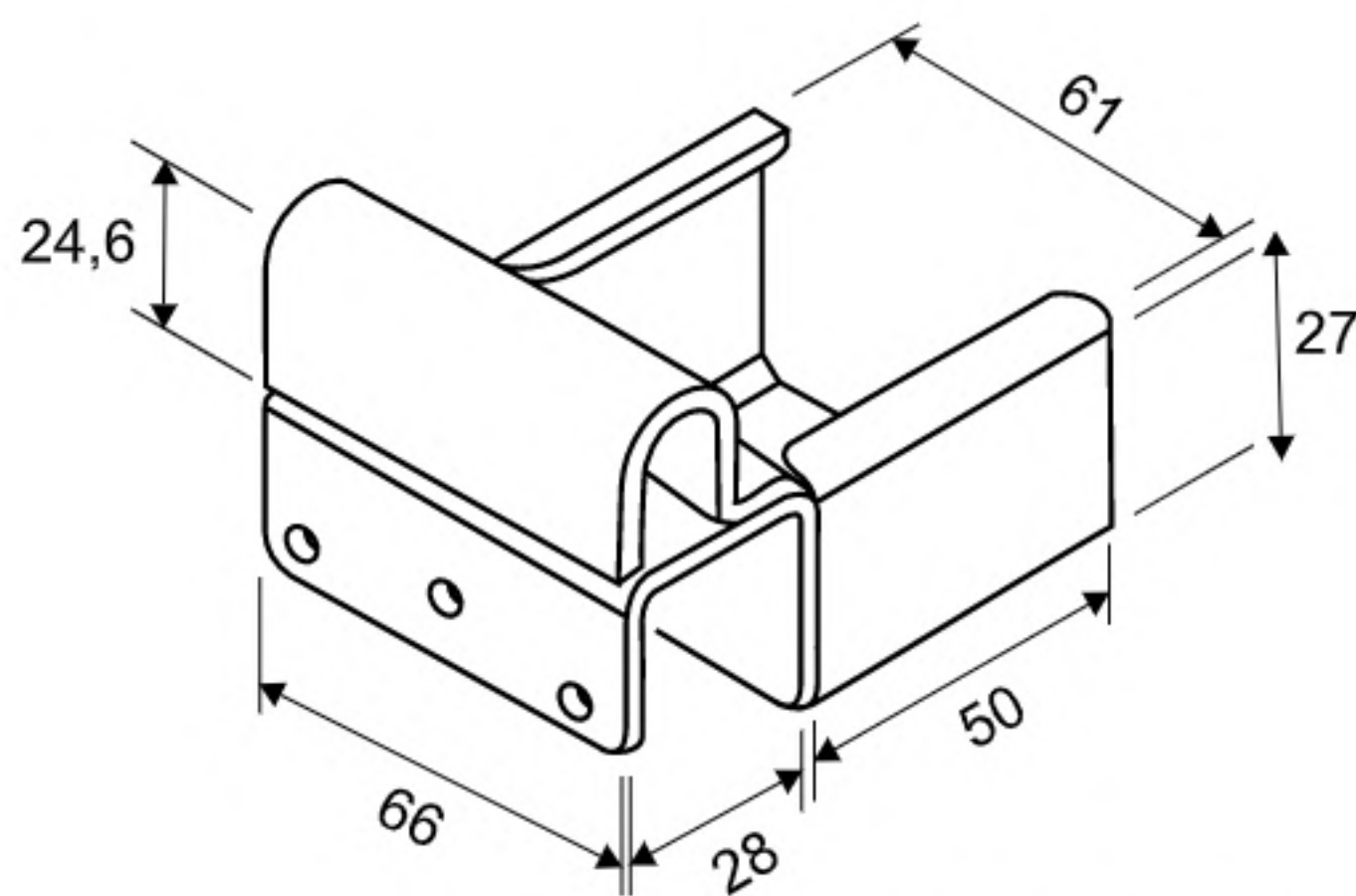
MASS, KG/M 1.350
LENGTH, M4
M/УП 28

RH-6016H1



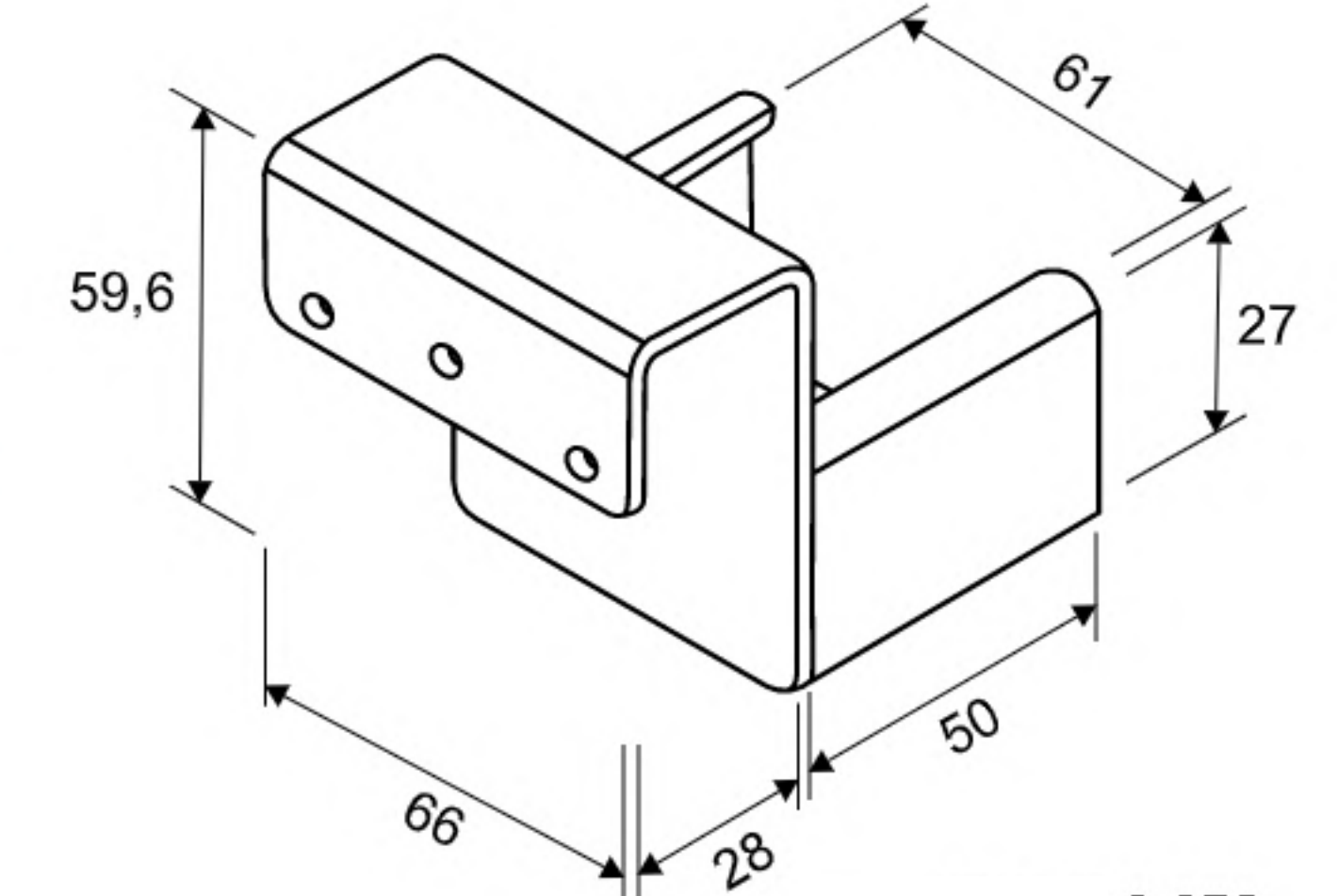
KG/ITEM 0.240
ITEM/PACK 50

RH-6016H2A



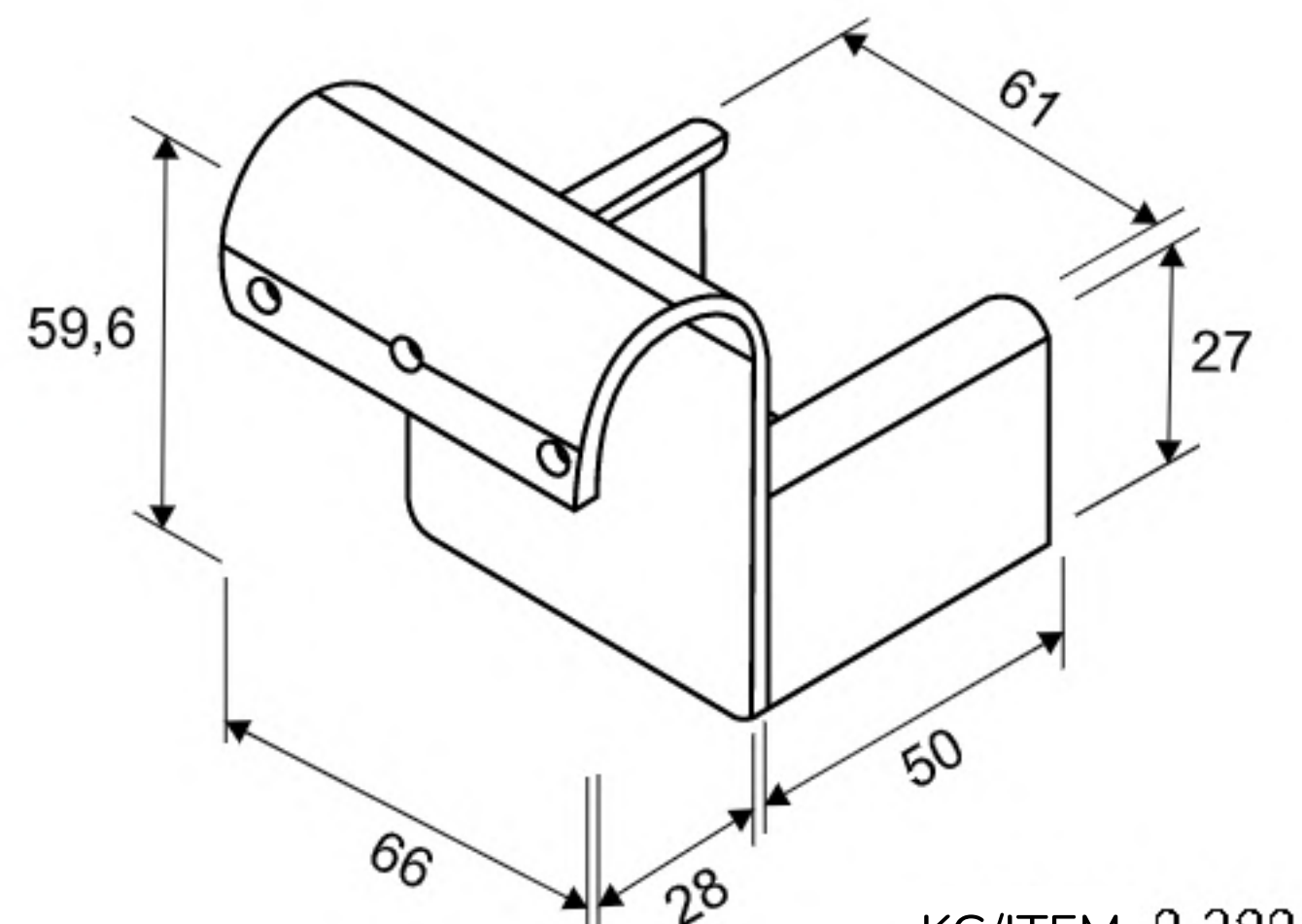
KG/ITEM 0.320
ITEM/PACK 30

RH-6016H3



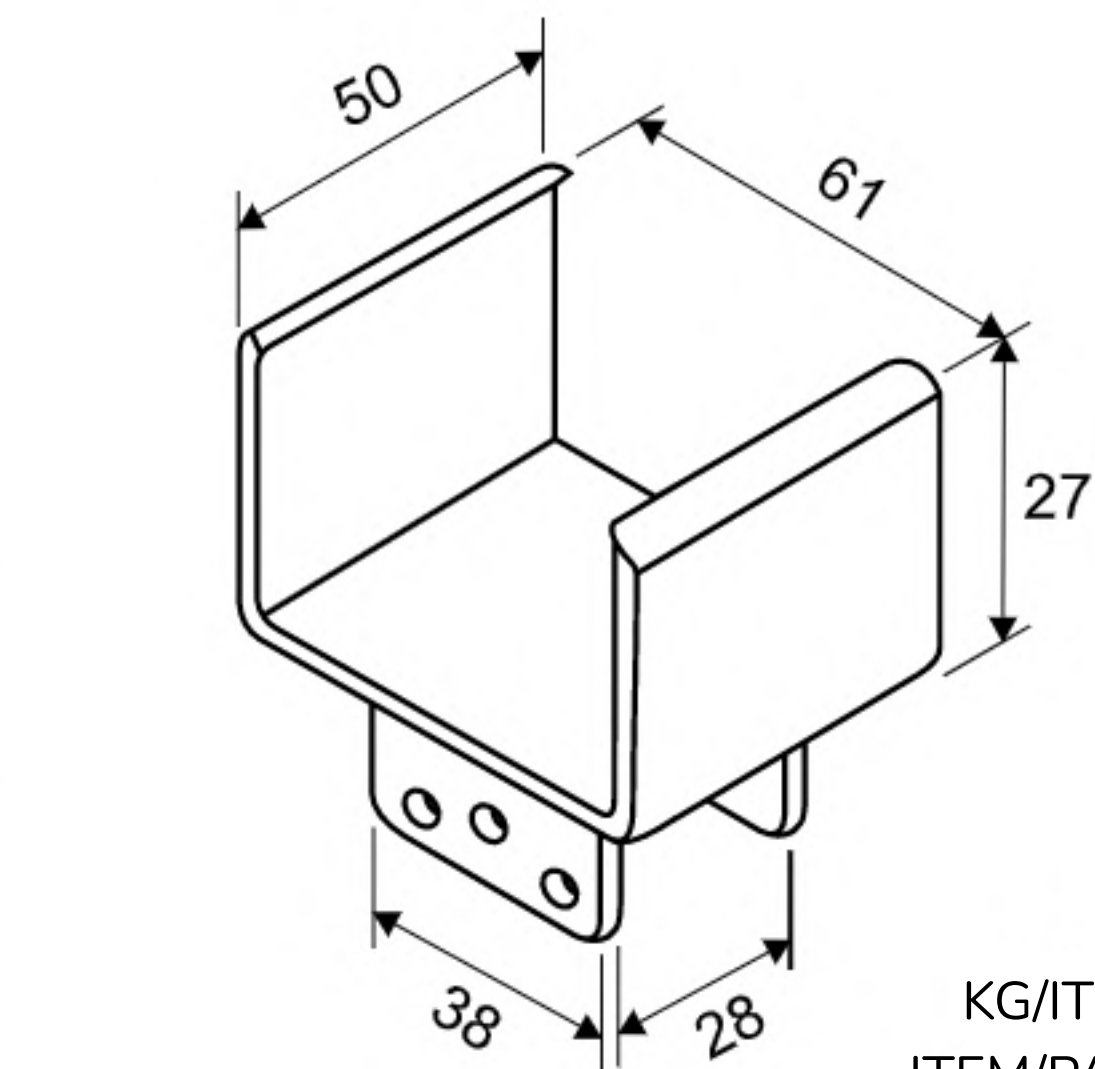
KG/ITEM 0.273
ITEM/PACK 40

RH-6016H3A



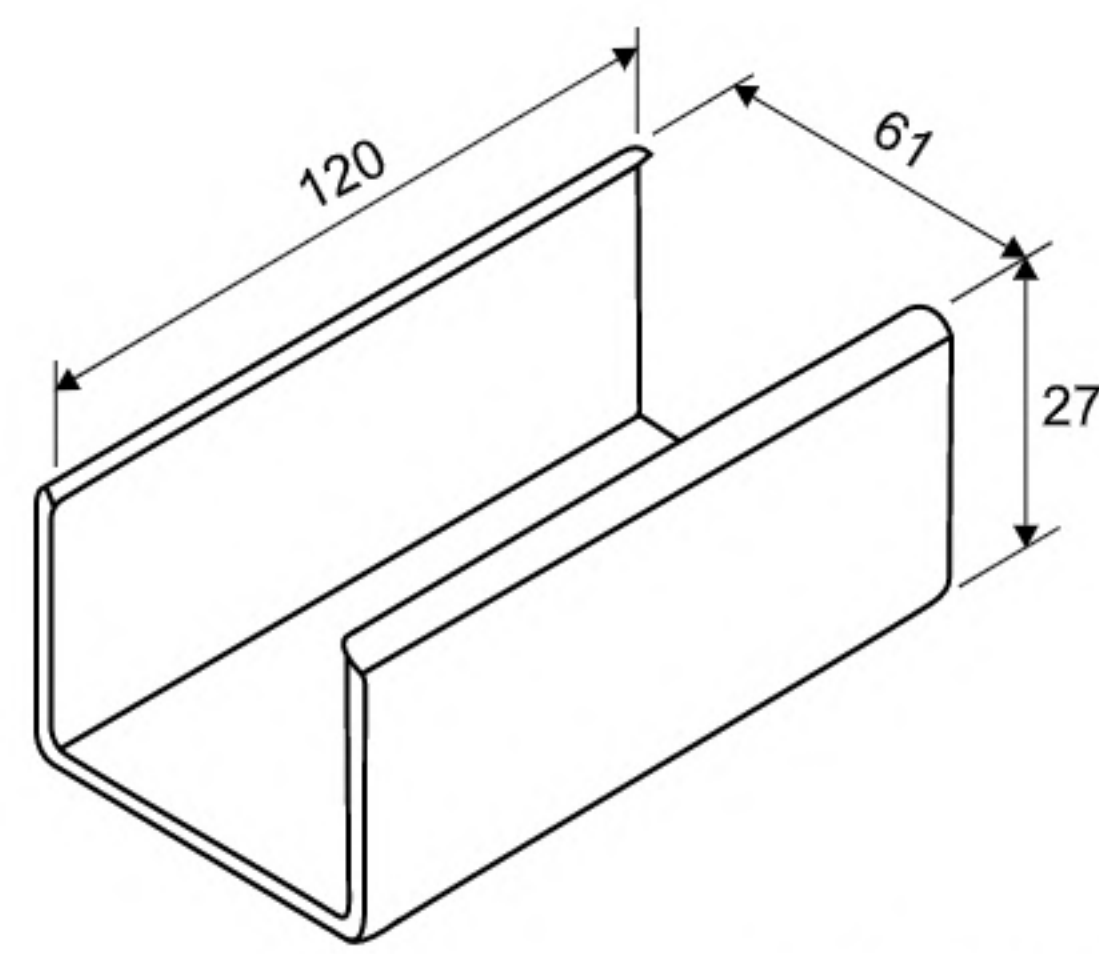
KG/ITEM 0.290
ITEM/PACK 35

RH-6016H5



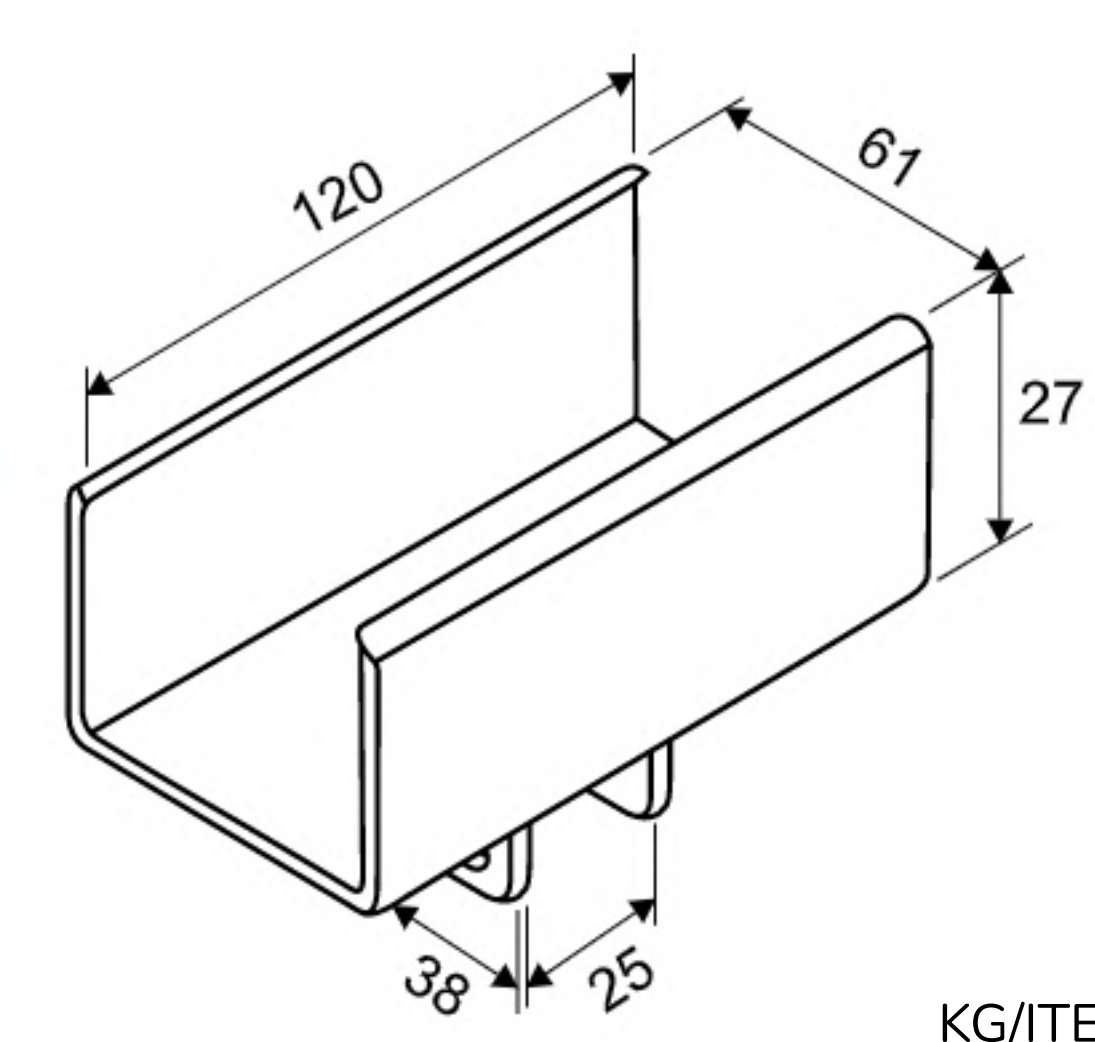
KG/ITEM 0.167
ITEM/PACK 60

RH-6016H6



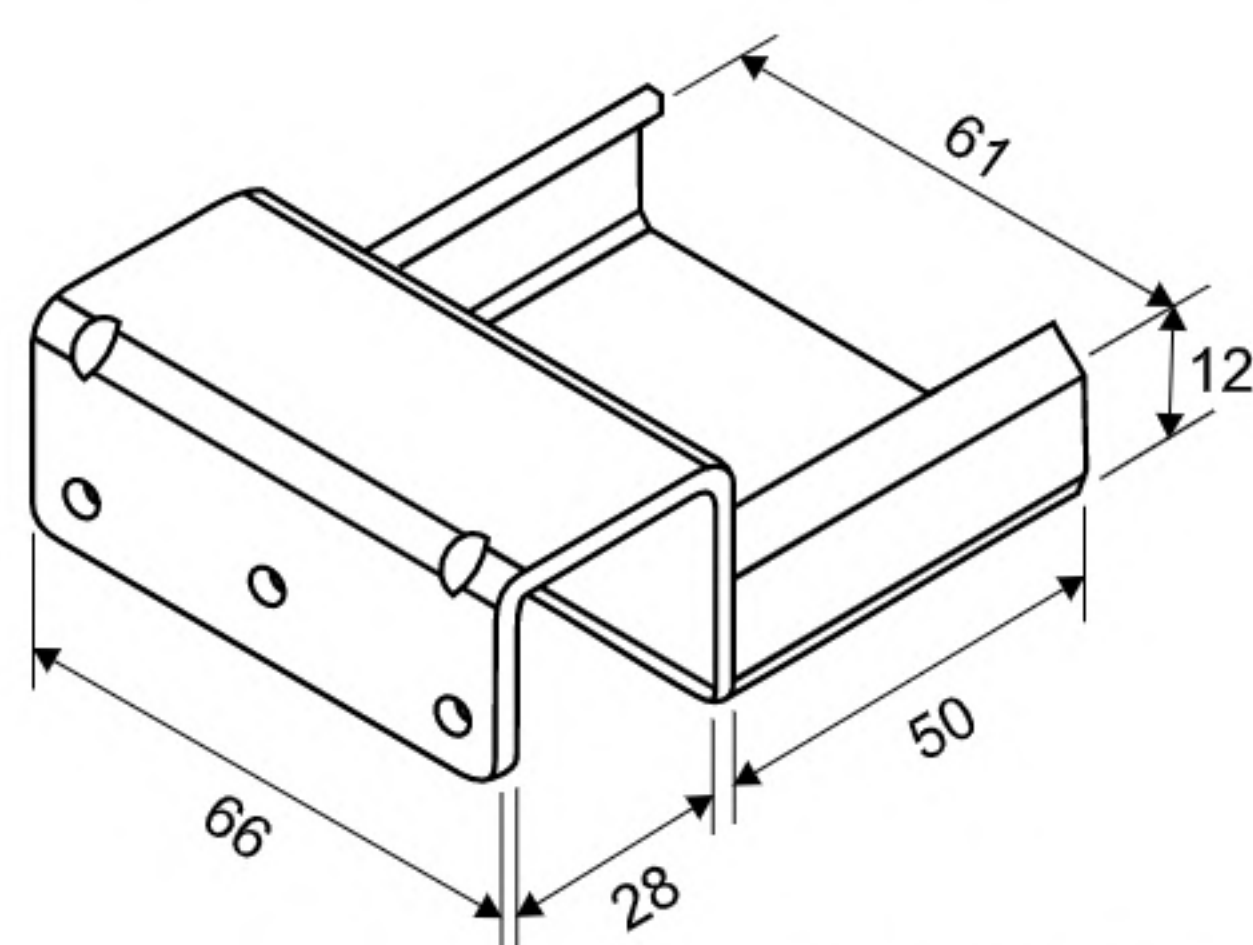
KG/ITEM 0.280
ITEM/PACK 50

RH-6016H6A



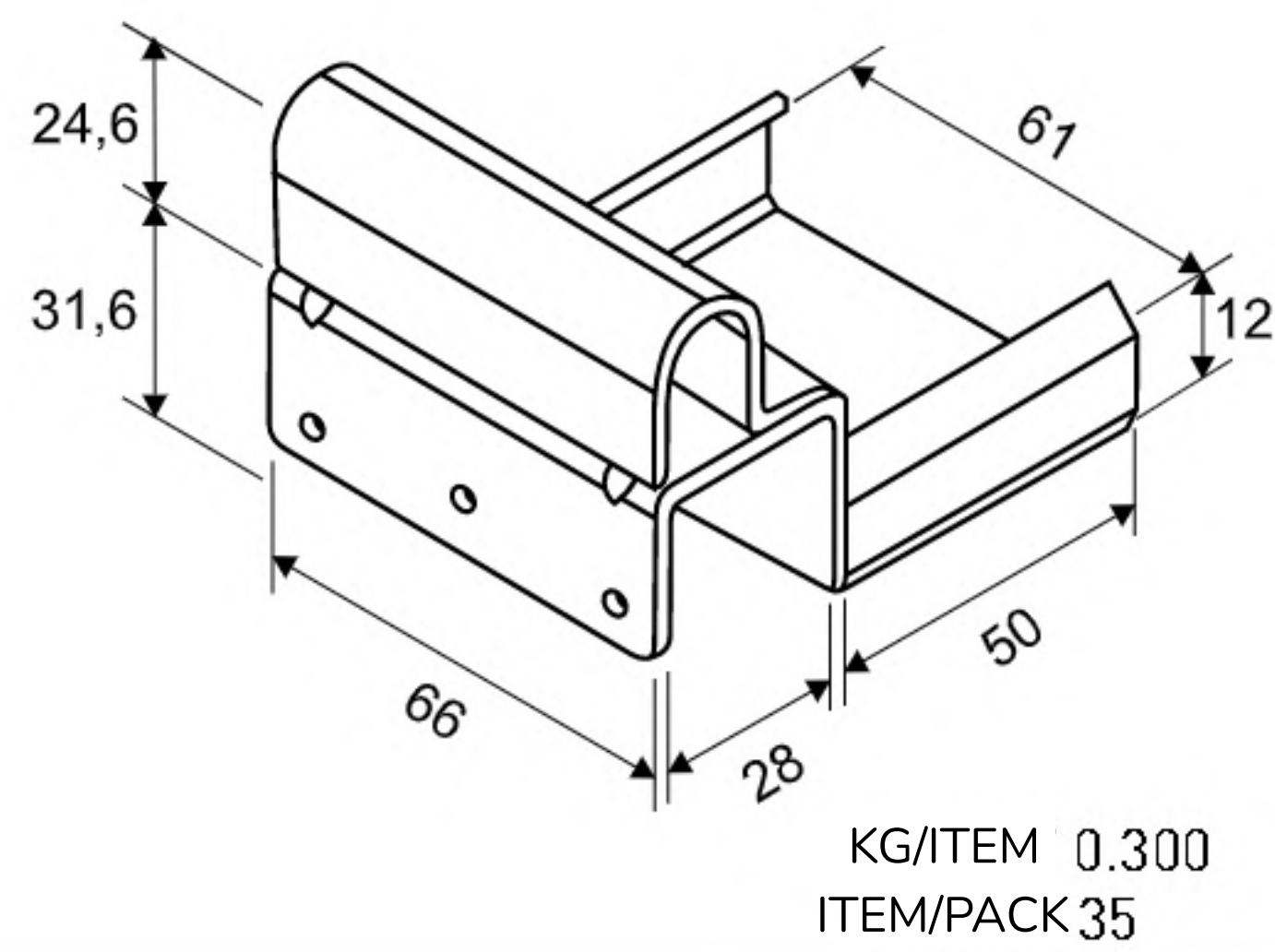
KG/ITEM 0.332
ITEM/PACK 20

RH-6016BH1

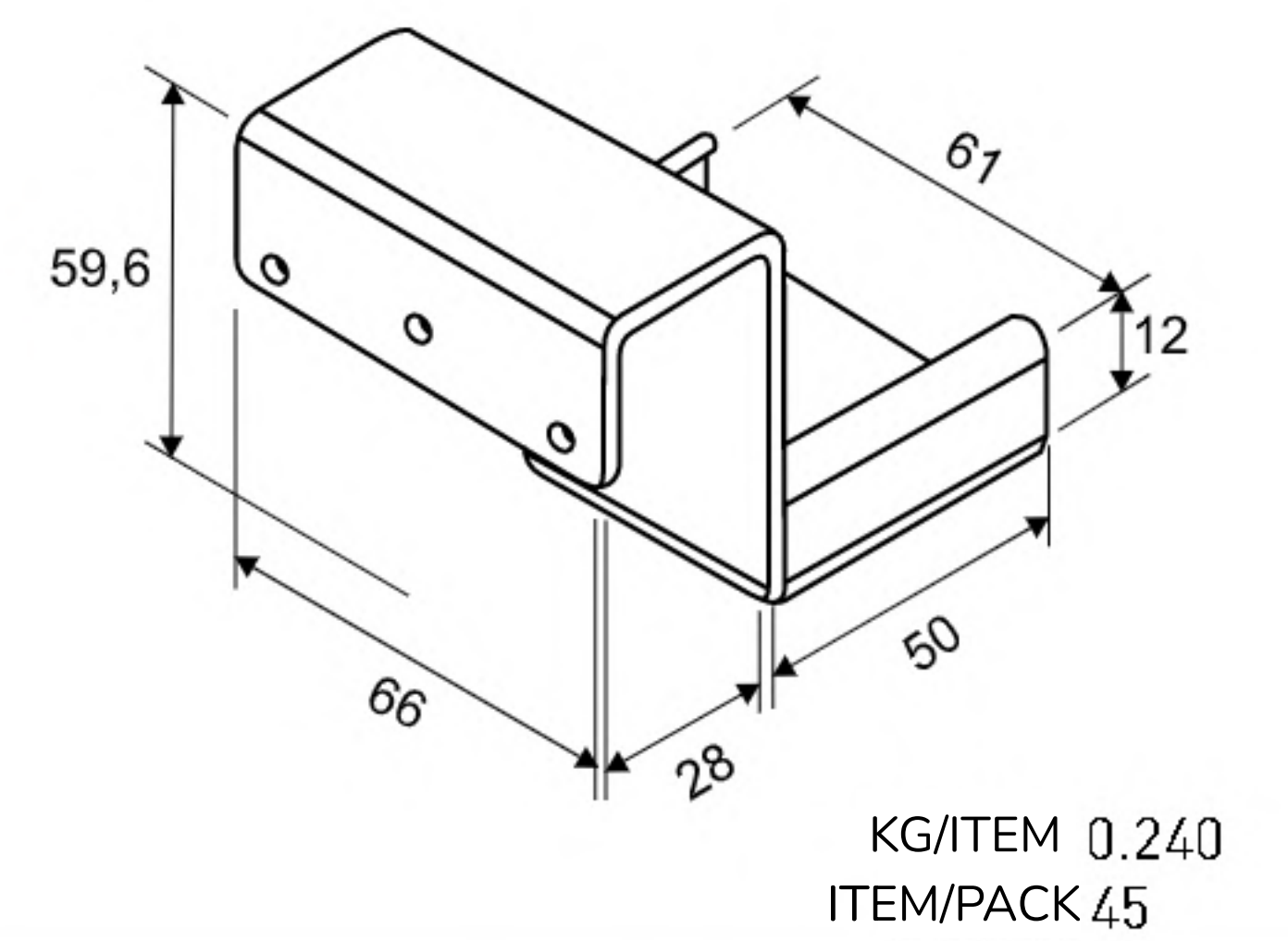


KG/ITEM 0.220
ITEM/PACK 50

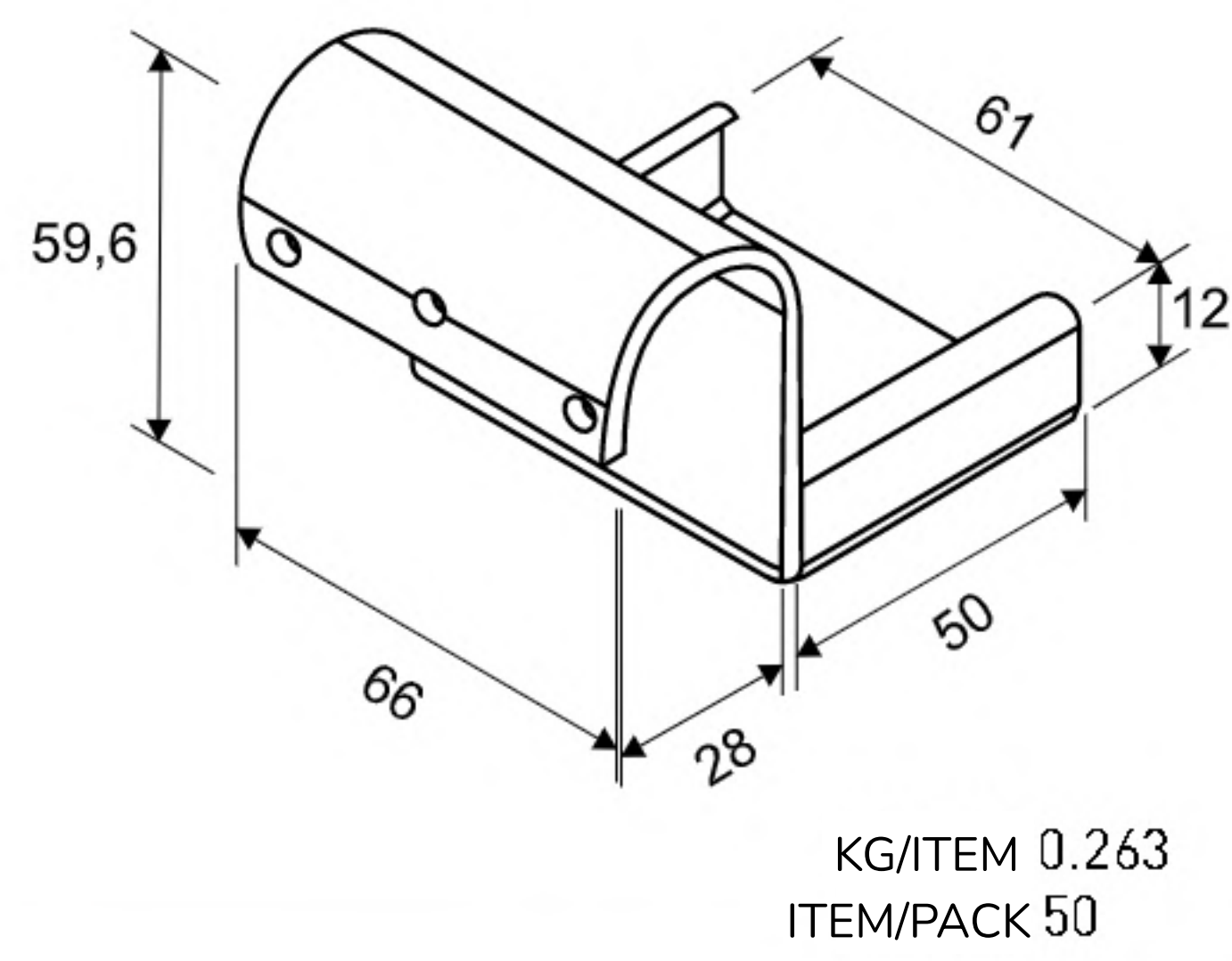
RH-6016BH2A



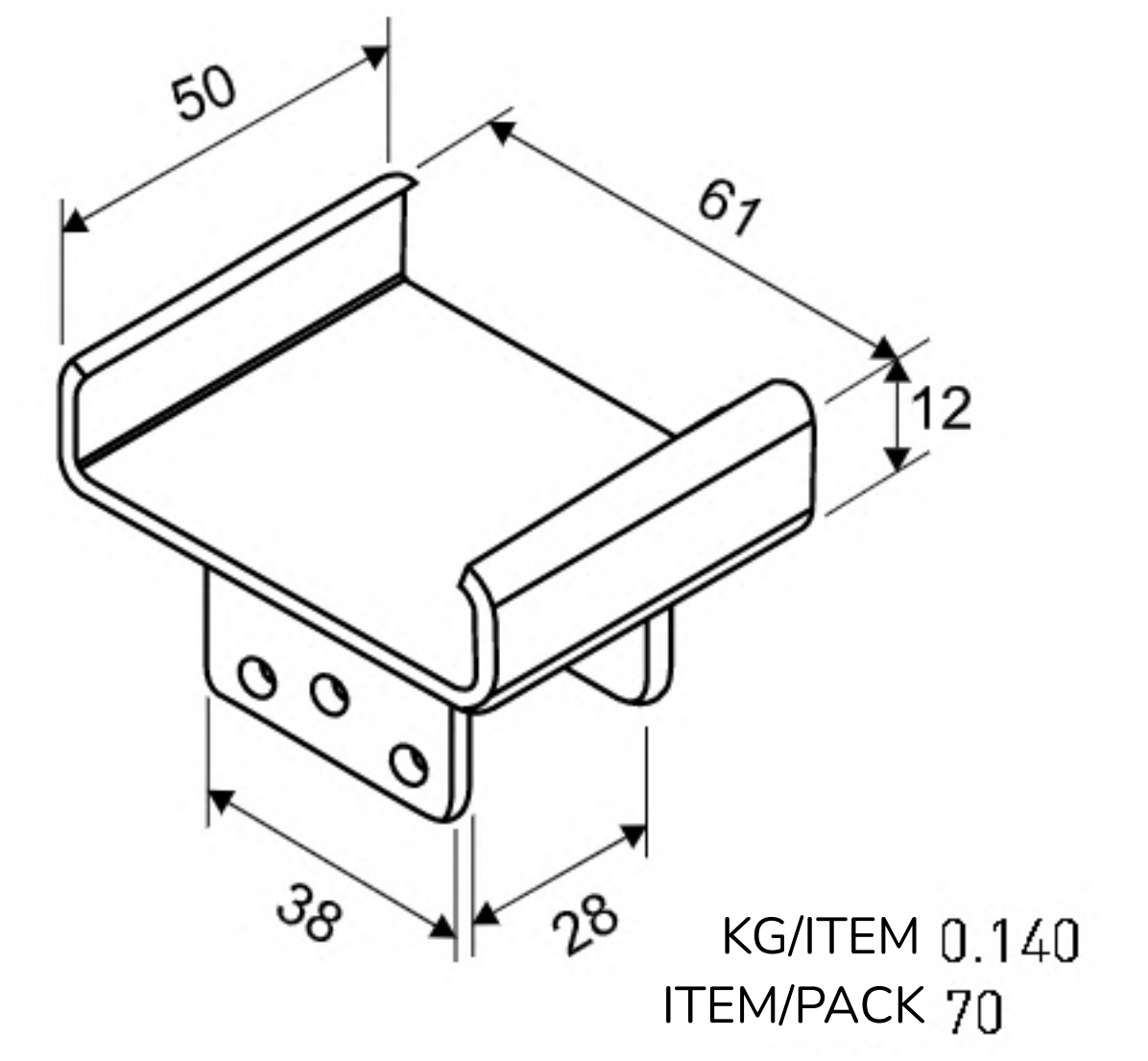
RH-6016BH3



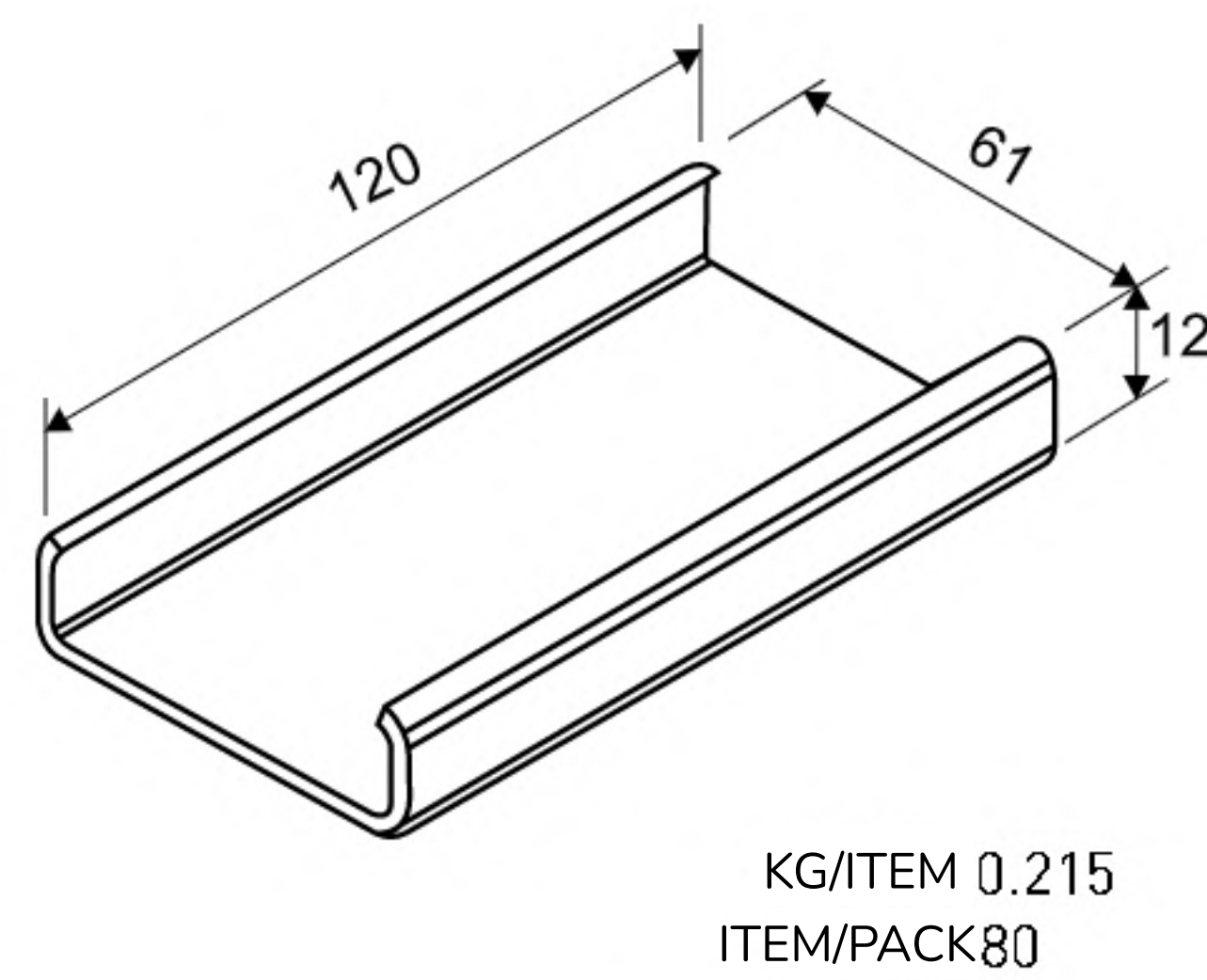
RH-6016BH3A



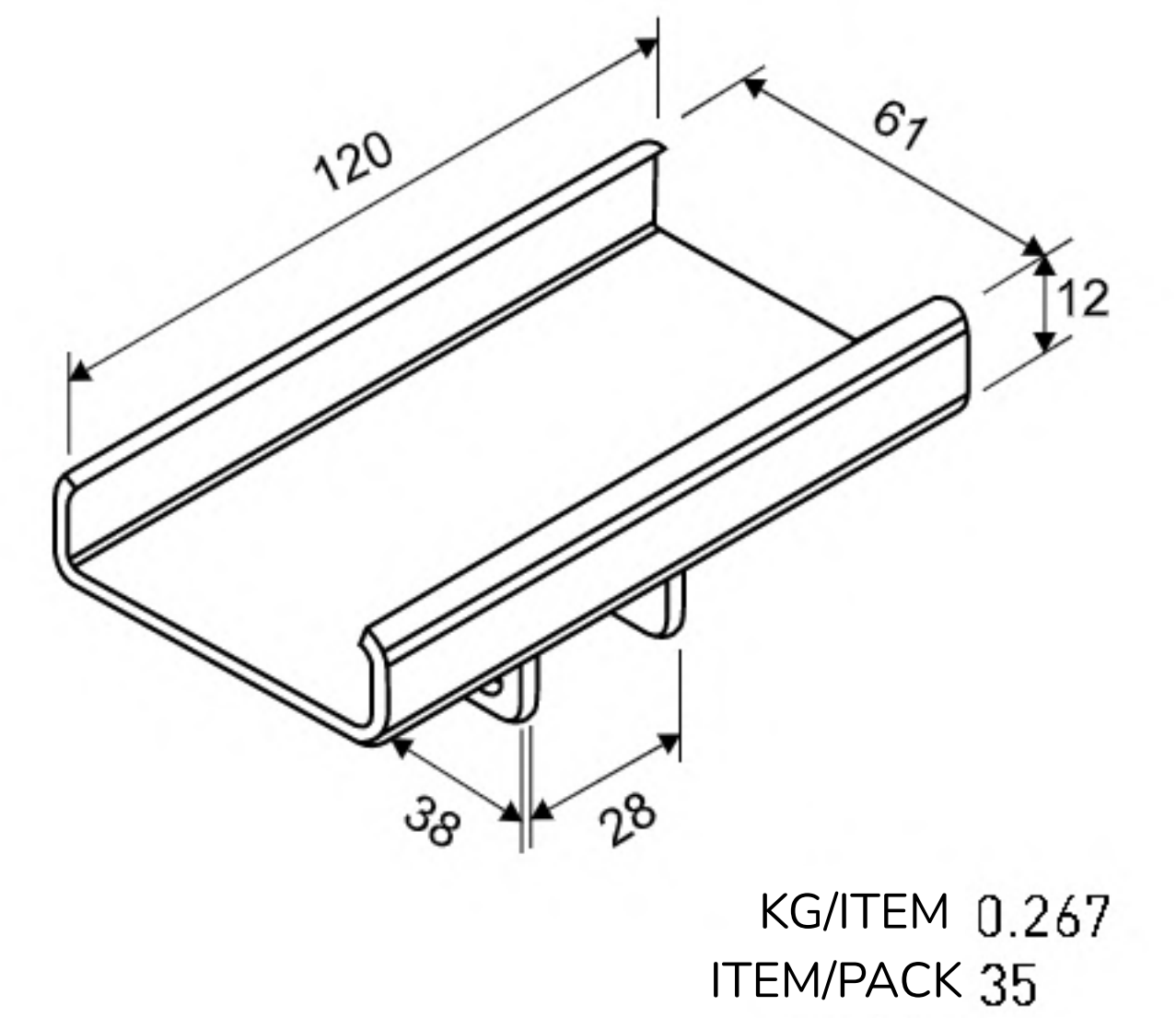
RH-6016BH5



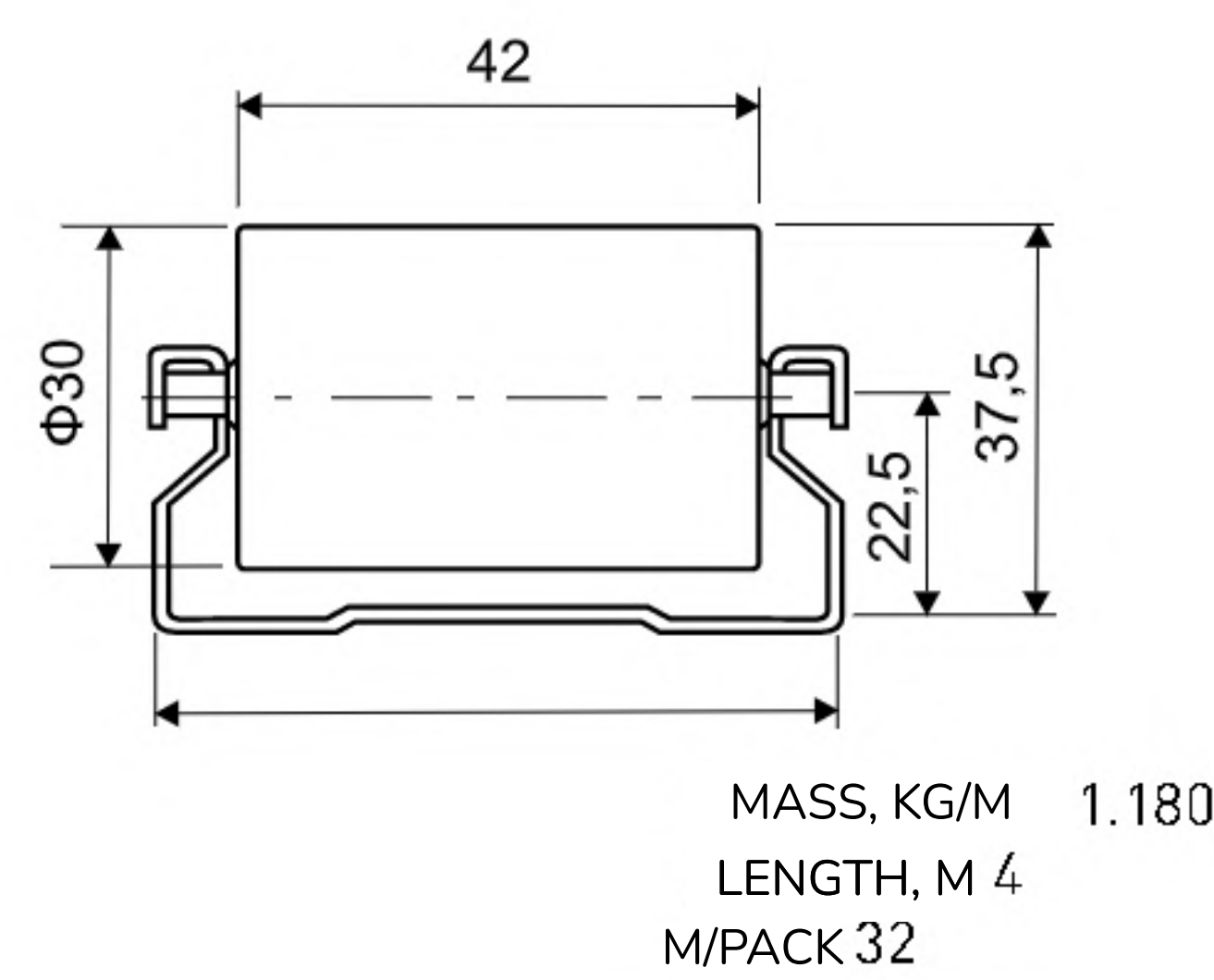
RH-6016BH6



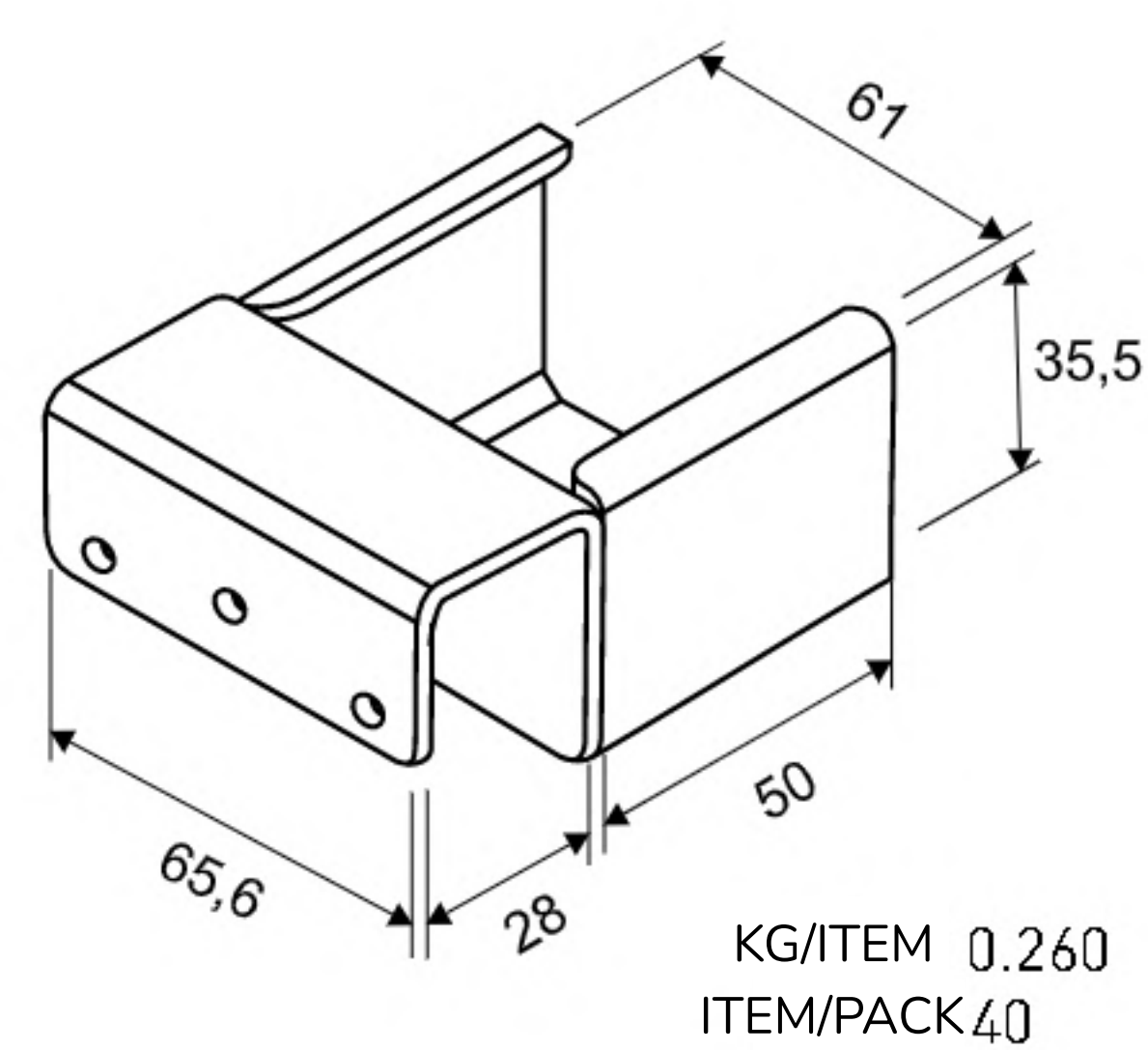
RH-6016BH6A



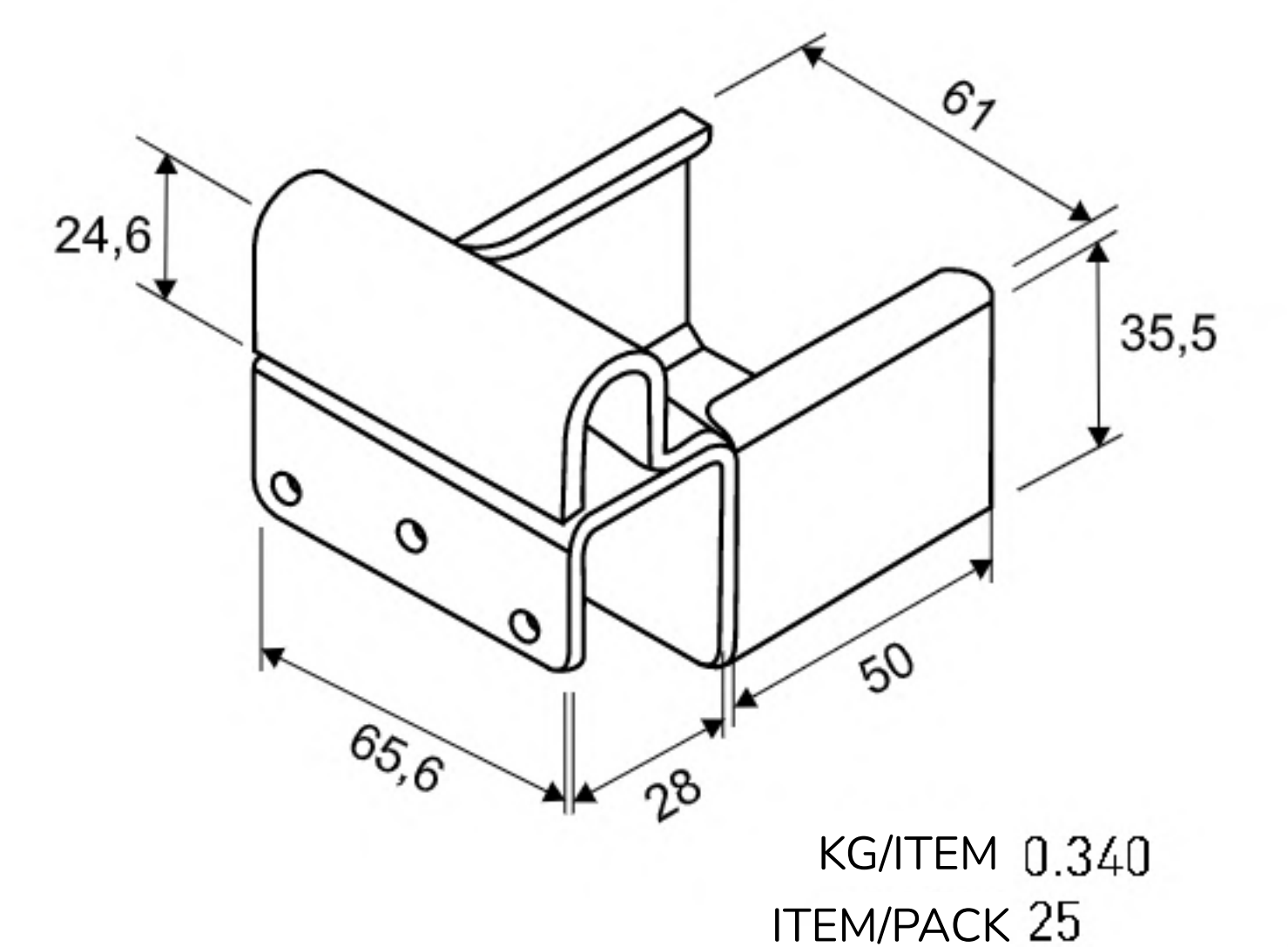
R-6032



RH-6032H1

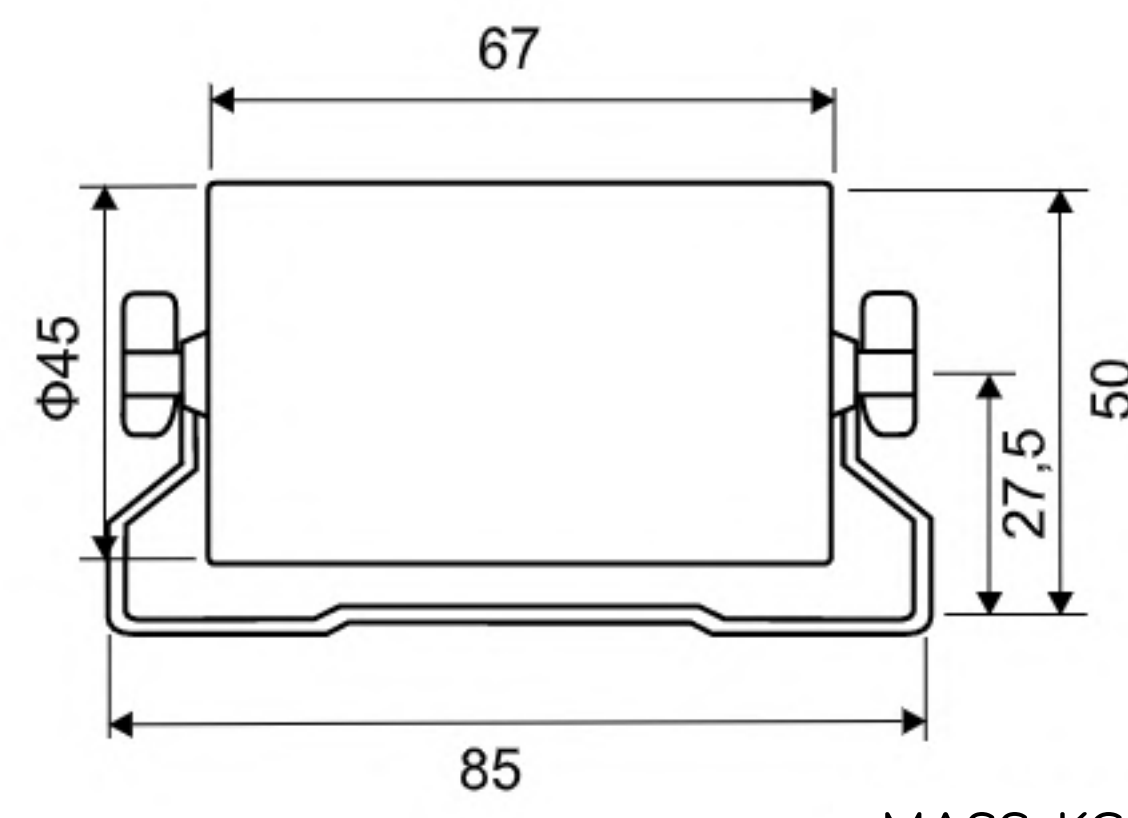


RH-6032H2A



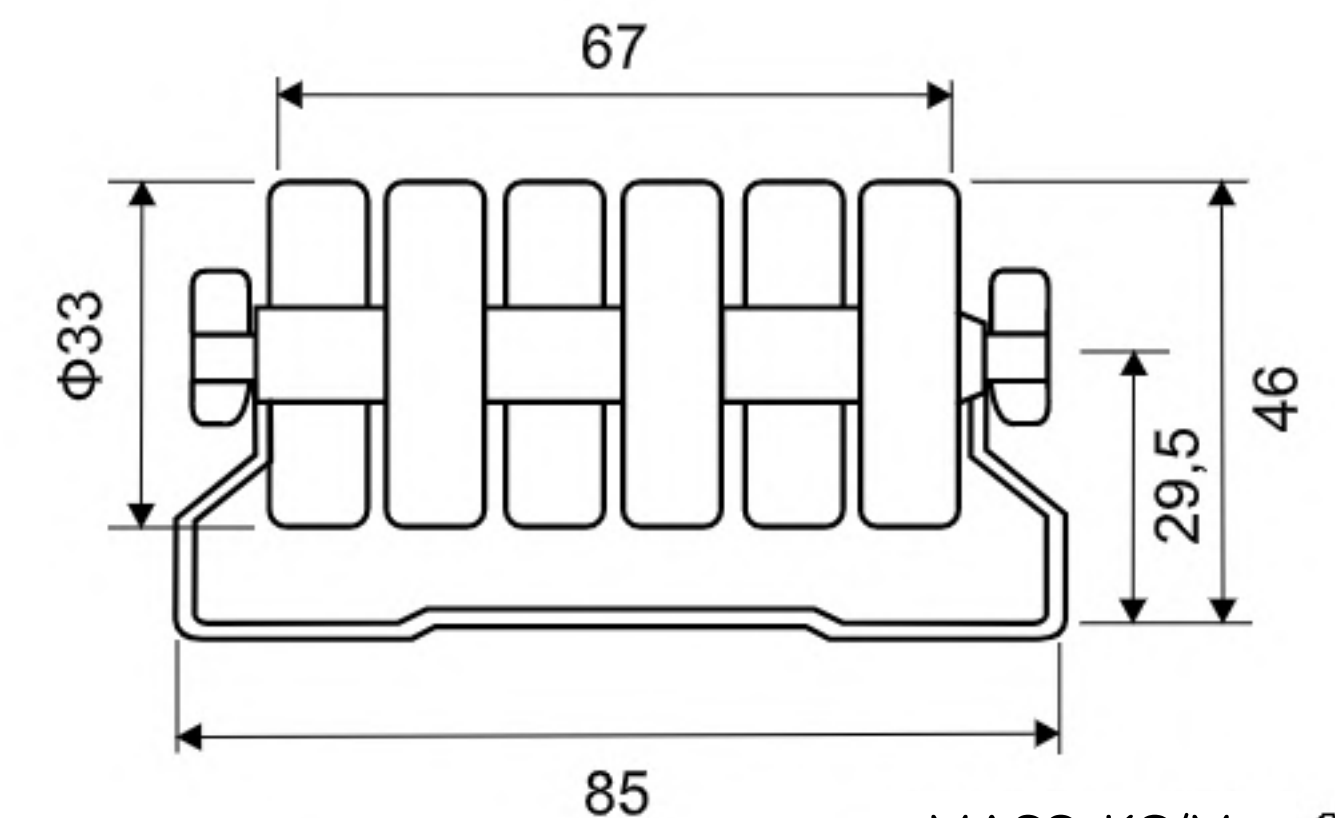
TRANSPORTATION PALLETS

R-8550



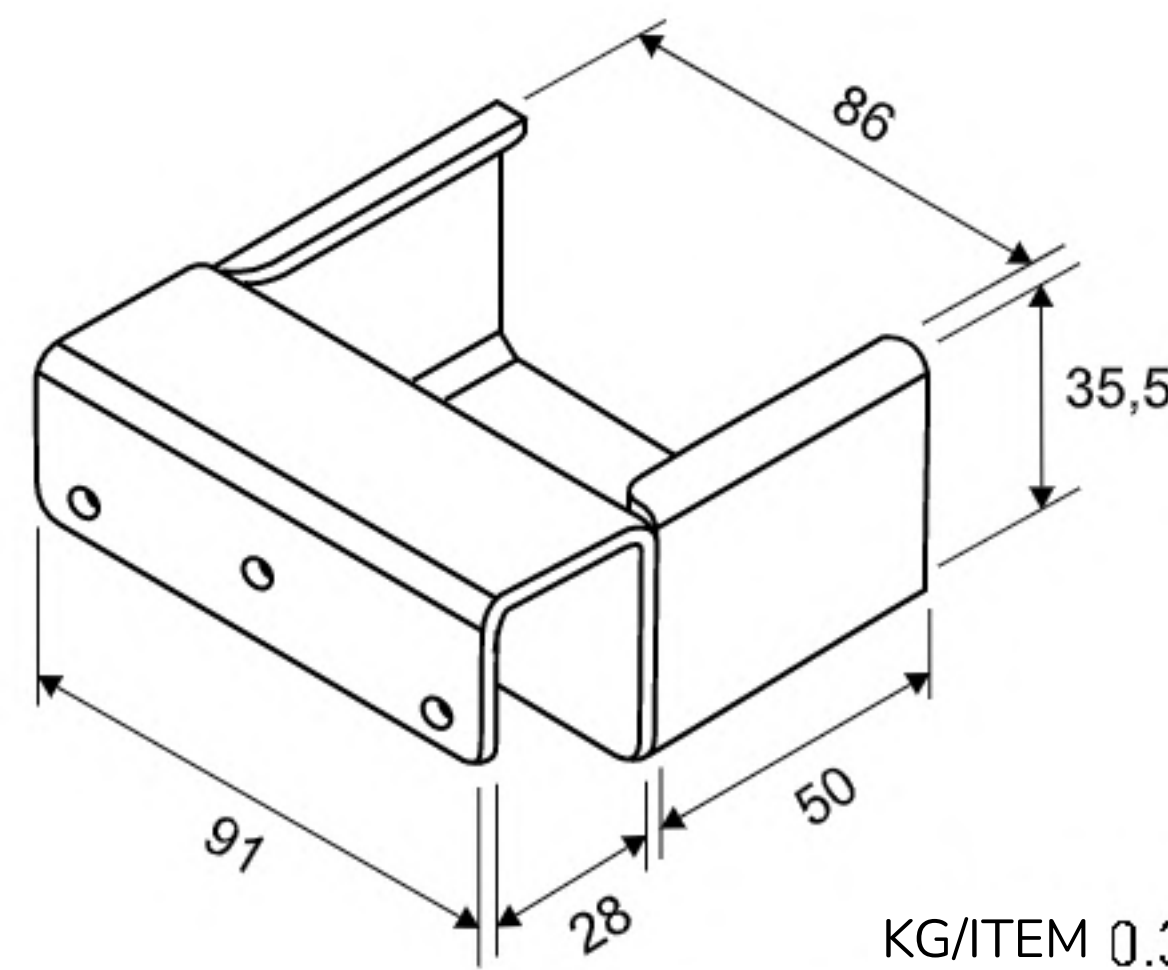
MASS, KG/M 2.380
LENGTH, M 4
M/PACK 20

R-8525



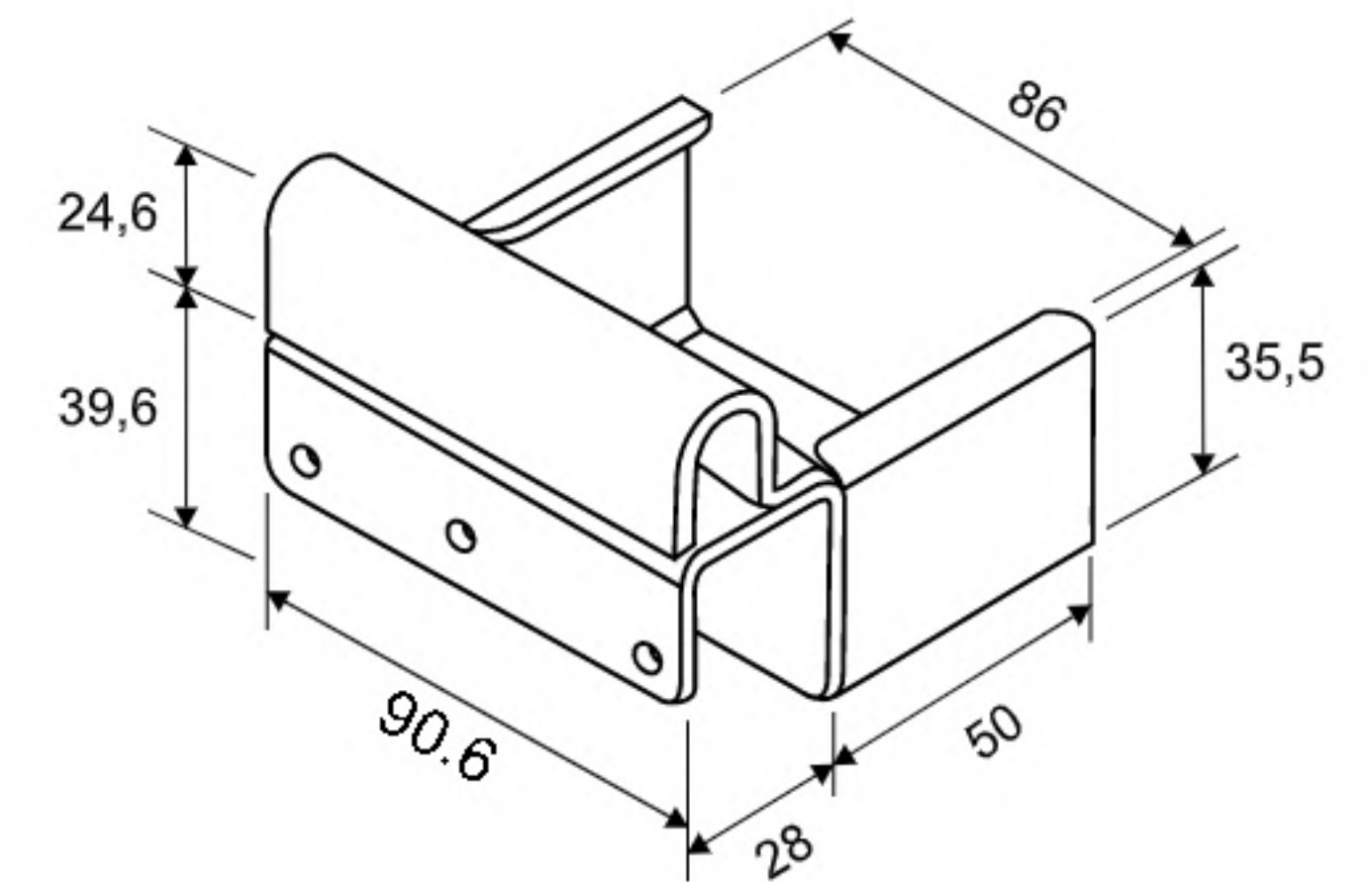
MASS, KG/M 2.650
LENGTH, M 4
M/PACK 20

RH-85H1



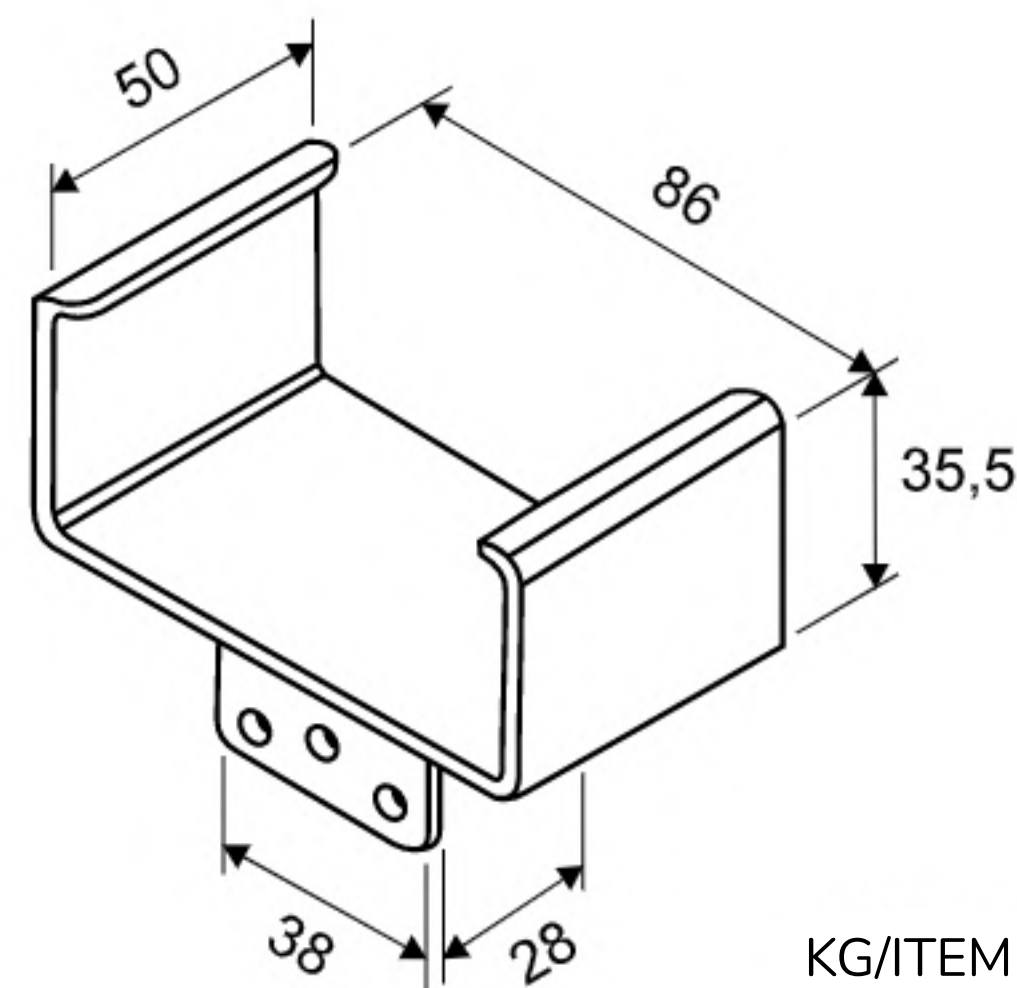
KG/ITEM 0.340
ITEM/PACK 25

RH-85H2A



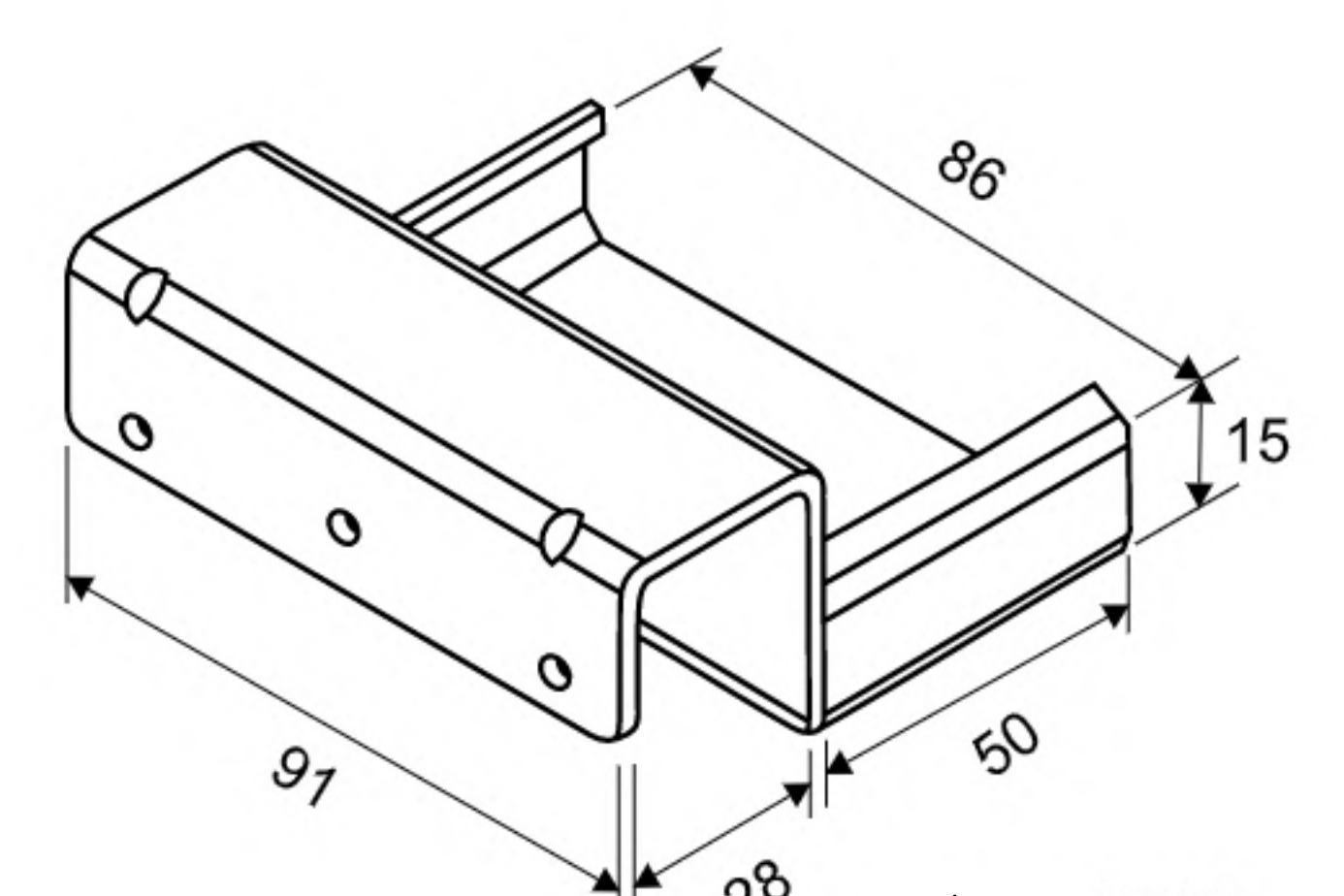
KG/ITEM 0.403
ITEM/PACK 20

RH-85H5



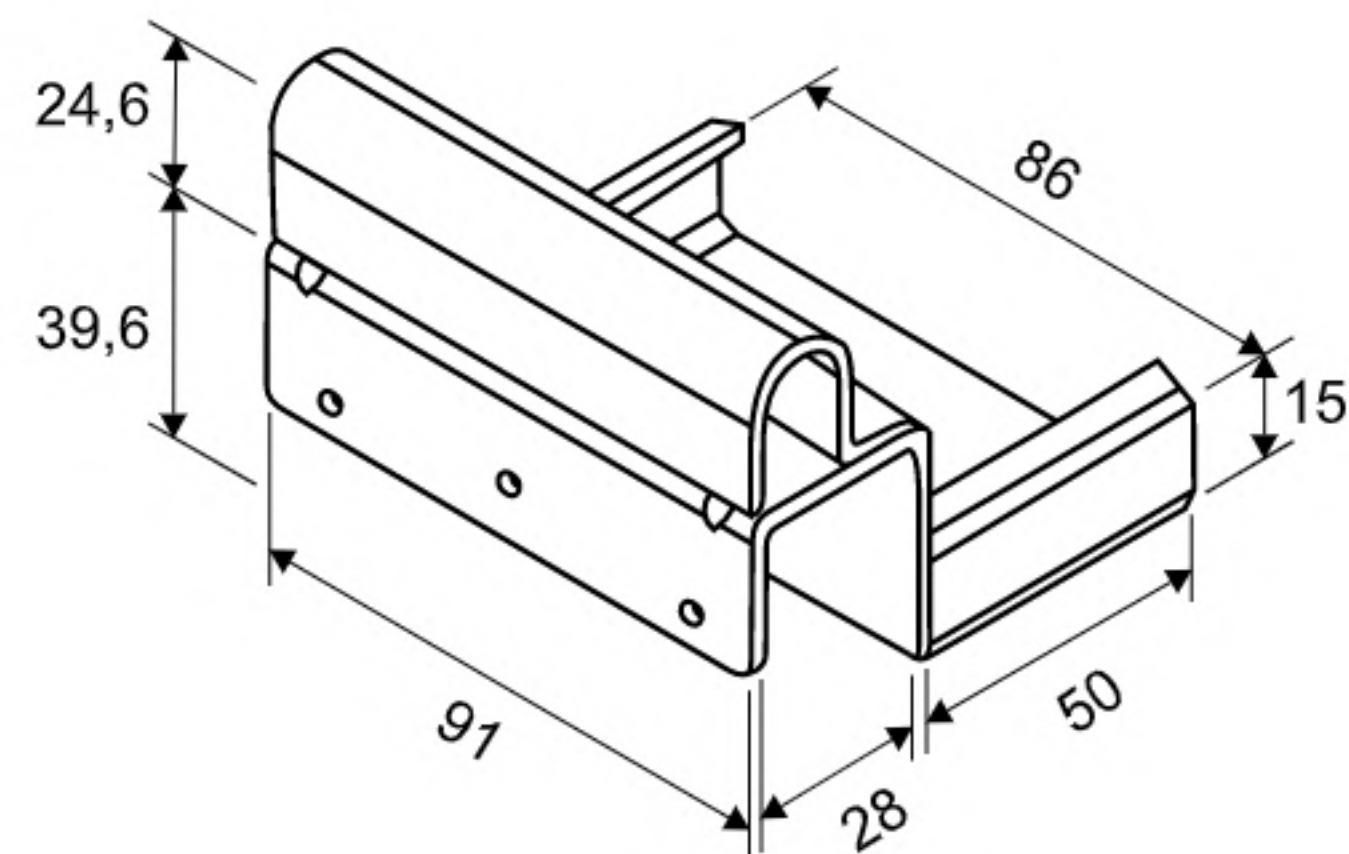
KG/ITEM 0.206
ITEM/PACK 20

RH-85BH1



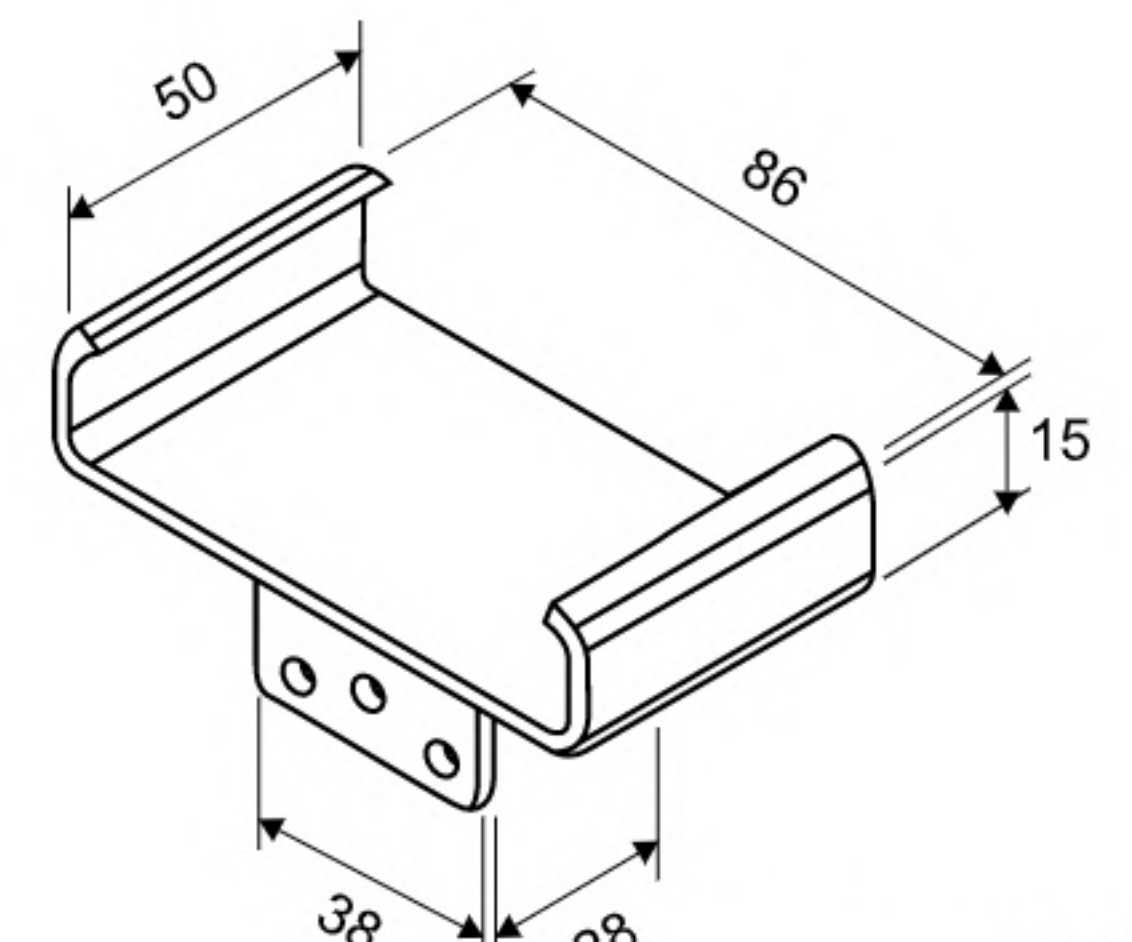
KG/ITEM 0.303
ITEM/PACK 30

RH-85BH2A



KG/ITEM 0.366
ITEM/PACK 20

RH-85BH5



KG/ITEM 0.169
ITEM/PACK 20

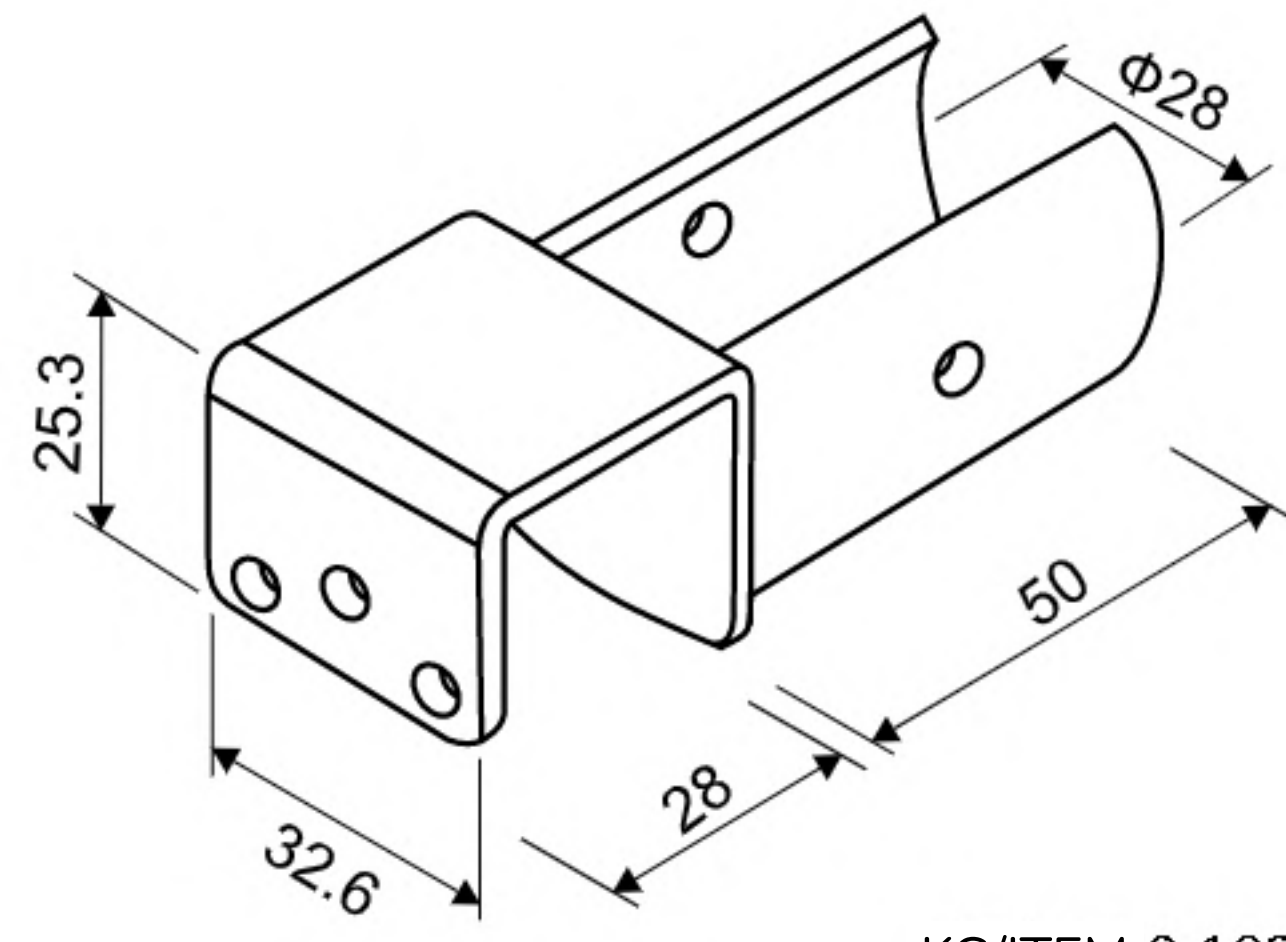


F SERIES

METAL ACCESSORIES

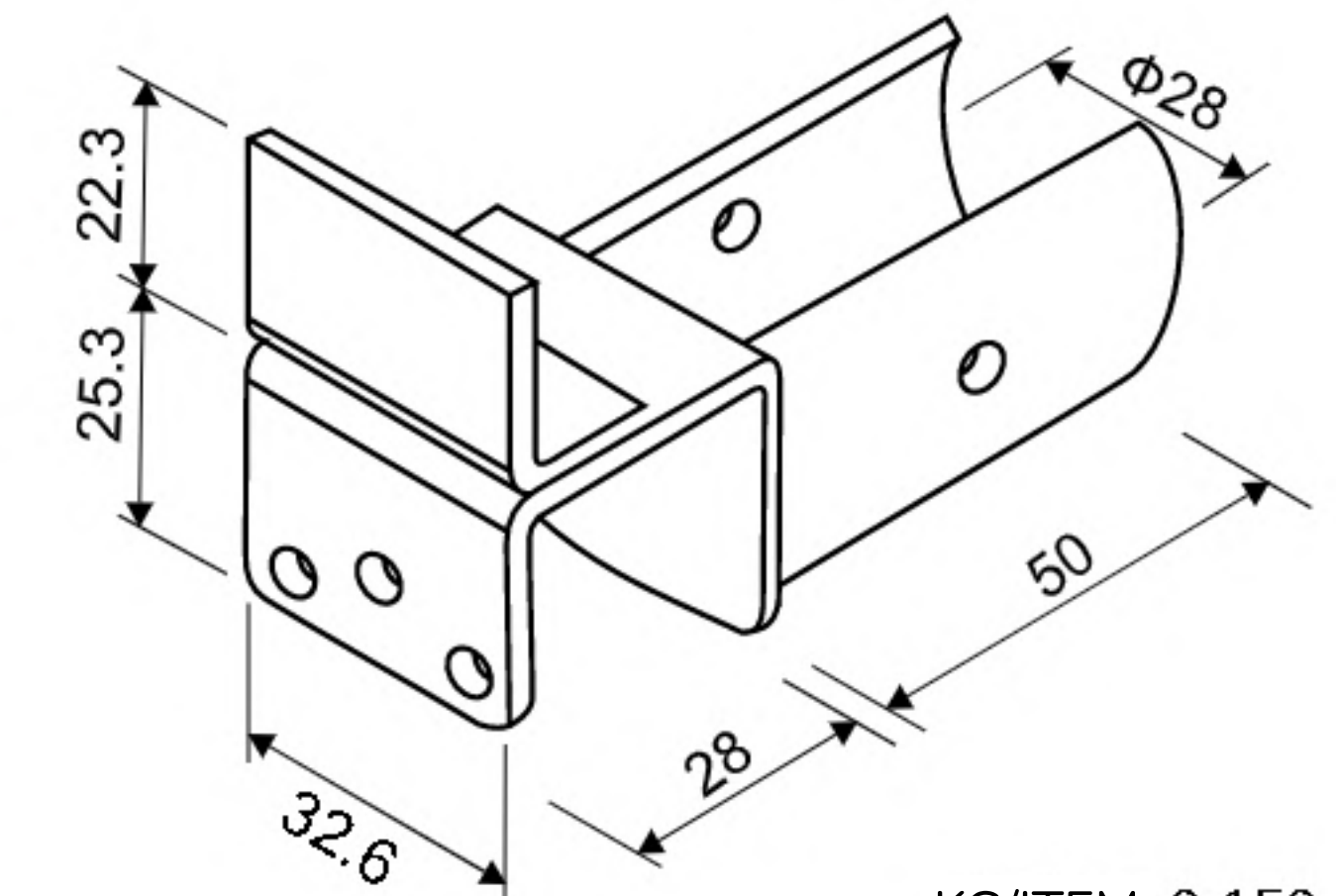
METAL ACCESSORIES

R-28H1



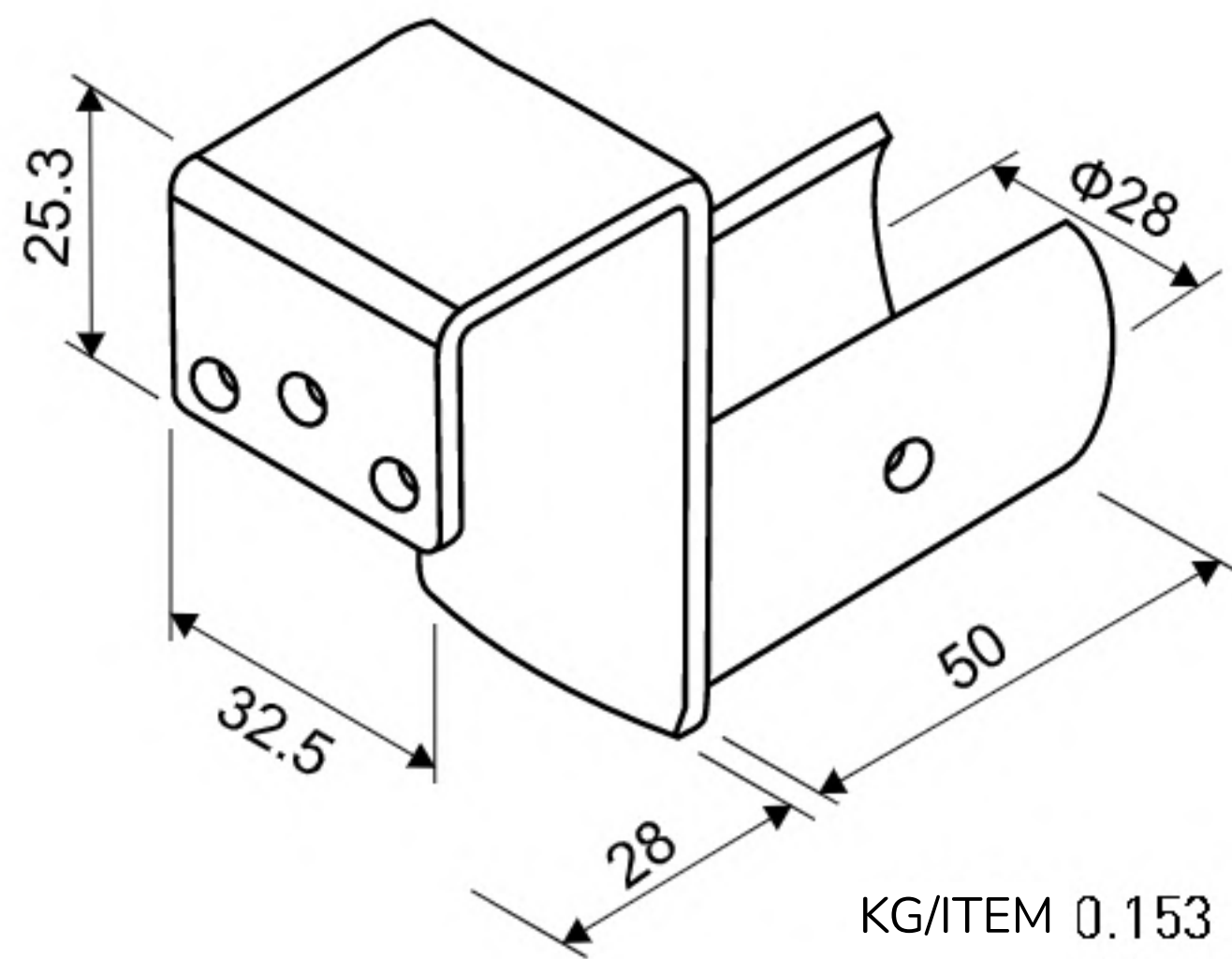
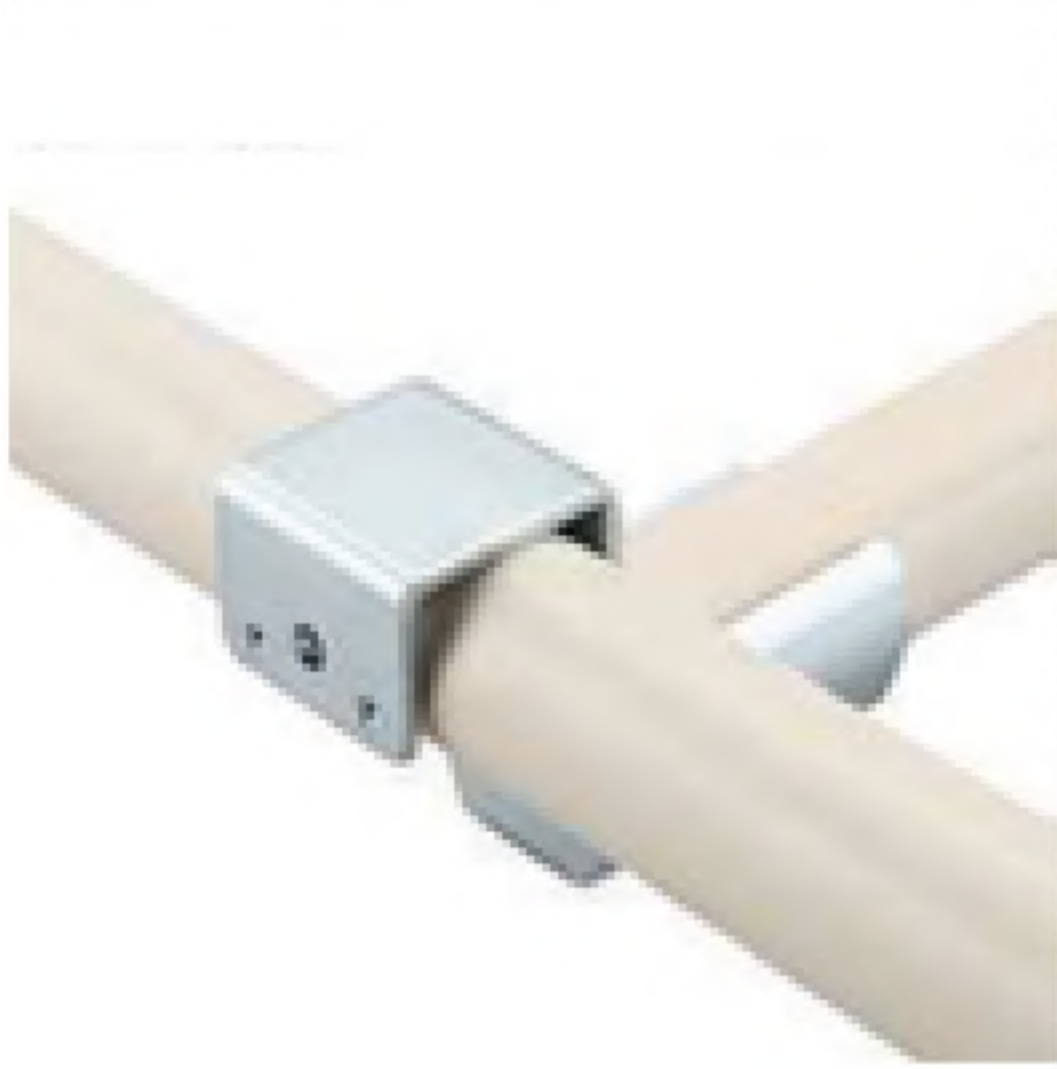
KG/ITEM 0.128
ITEM/PACK 95

R-28H2



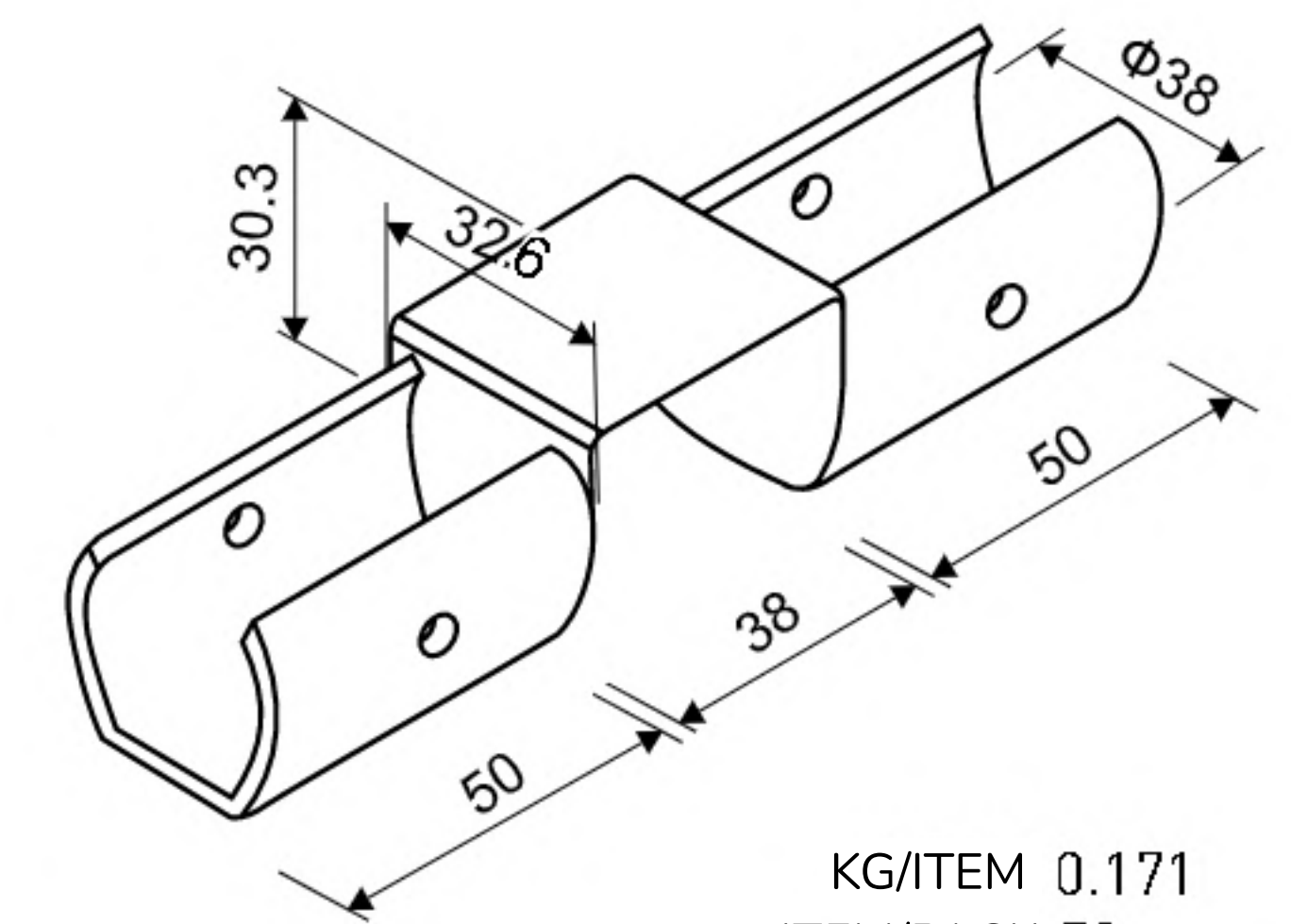
KG/ITEM 0.150
ITEM/PACK 85

R-28H3



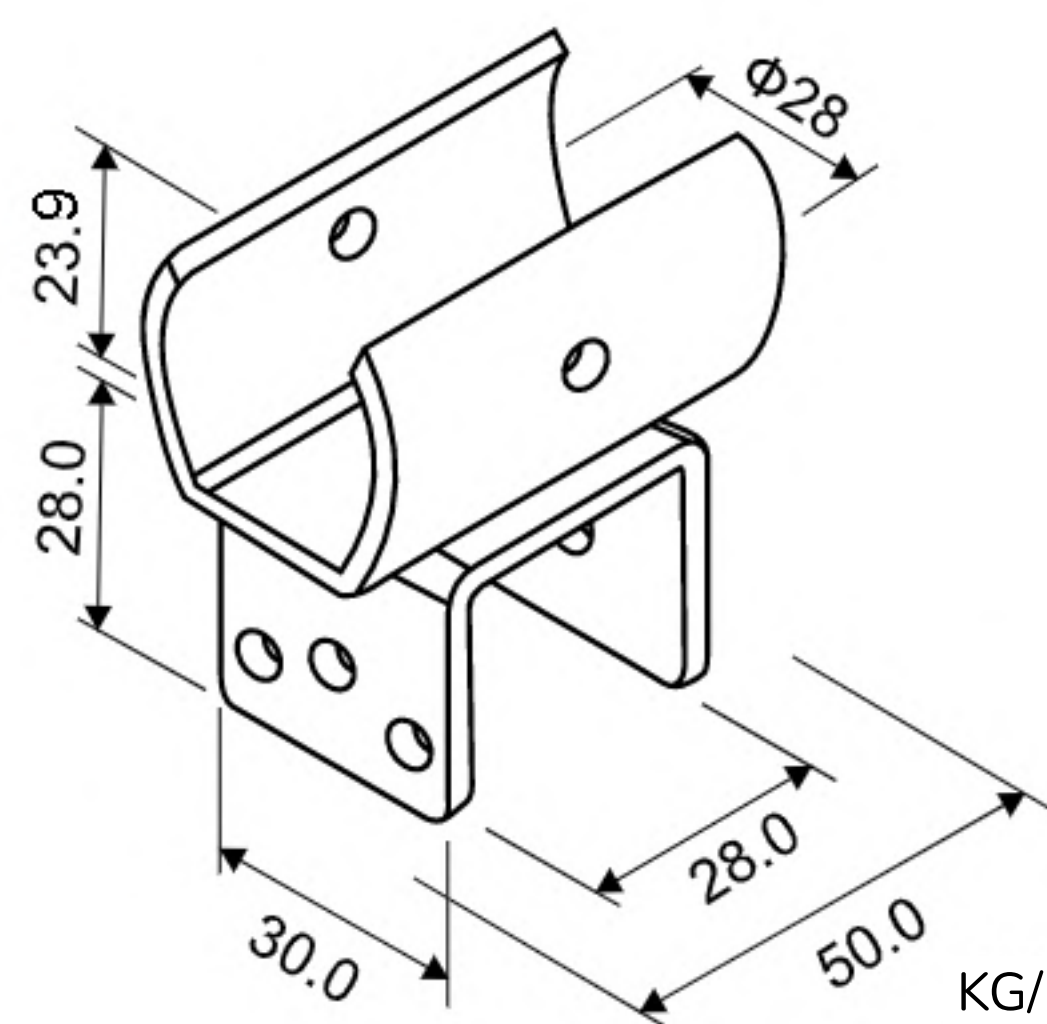
KG/ITEM 0.153
ITEM/PACK 80

R-28H4B



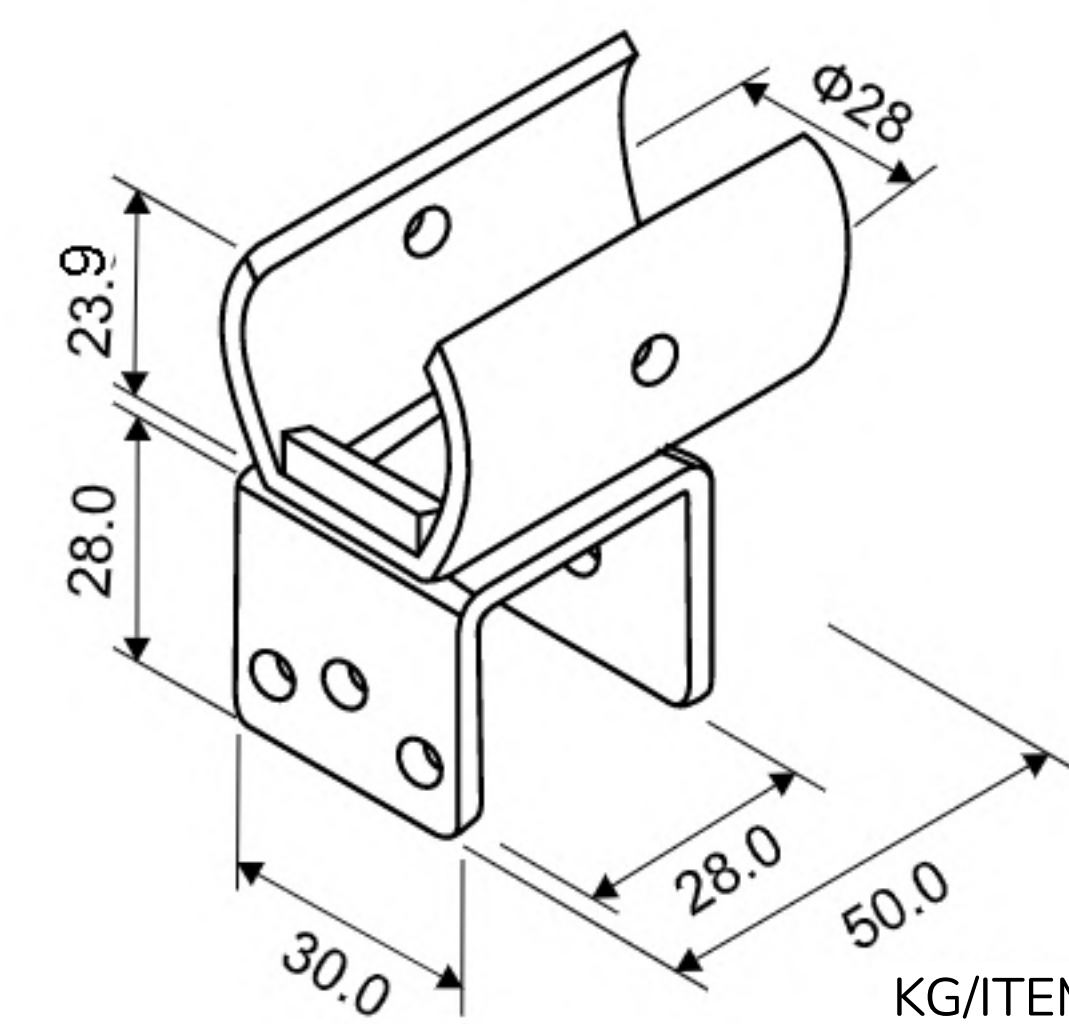
KG/ITEM 0.171
ITEM/PACK 50

R-28H5



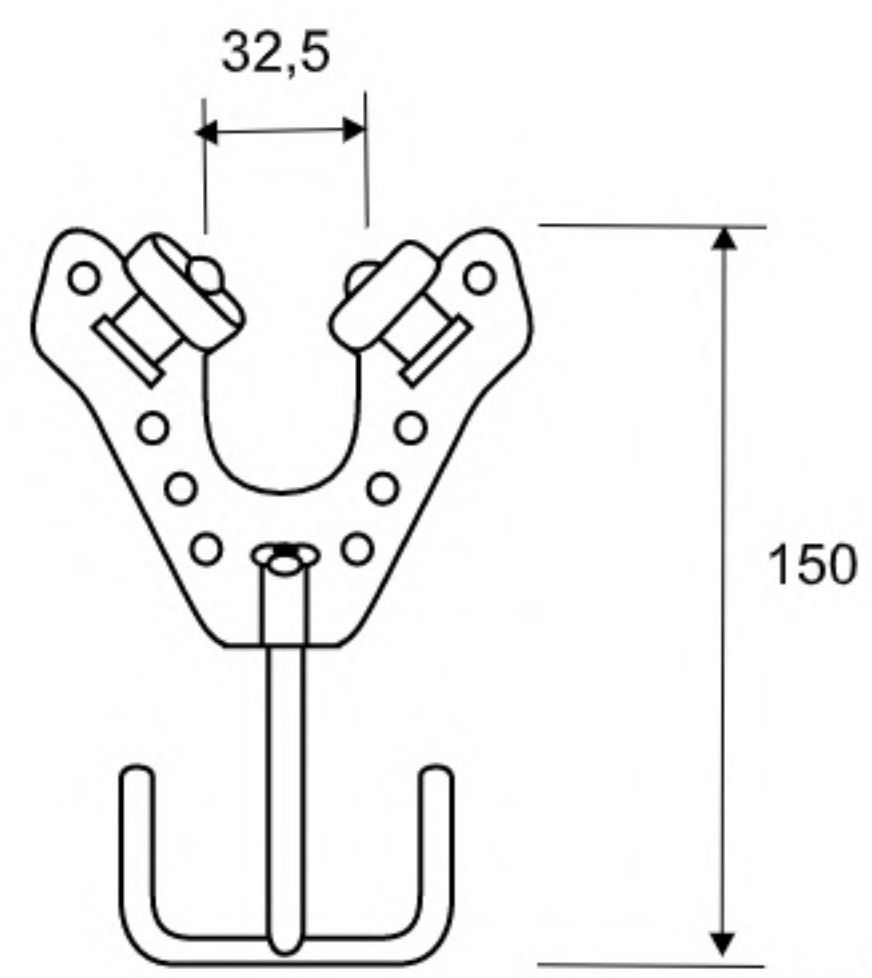
KG/ITEM 0.112
ITEM/PACK 110

R-28H5B



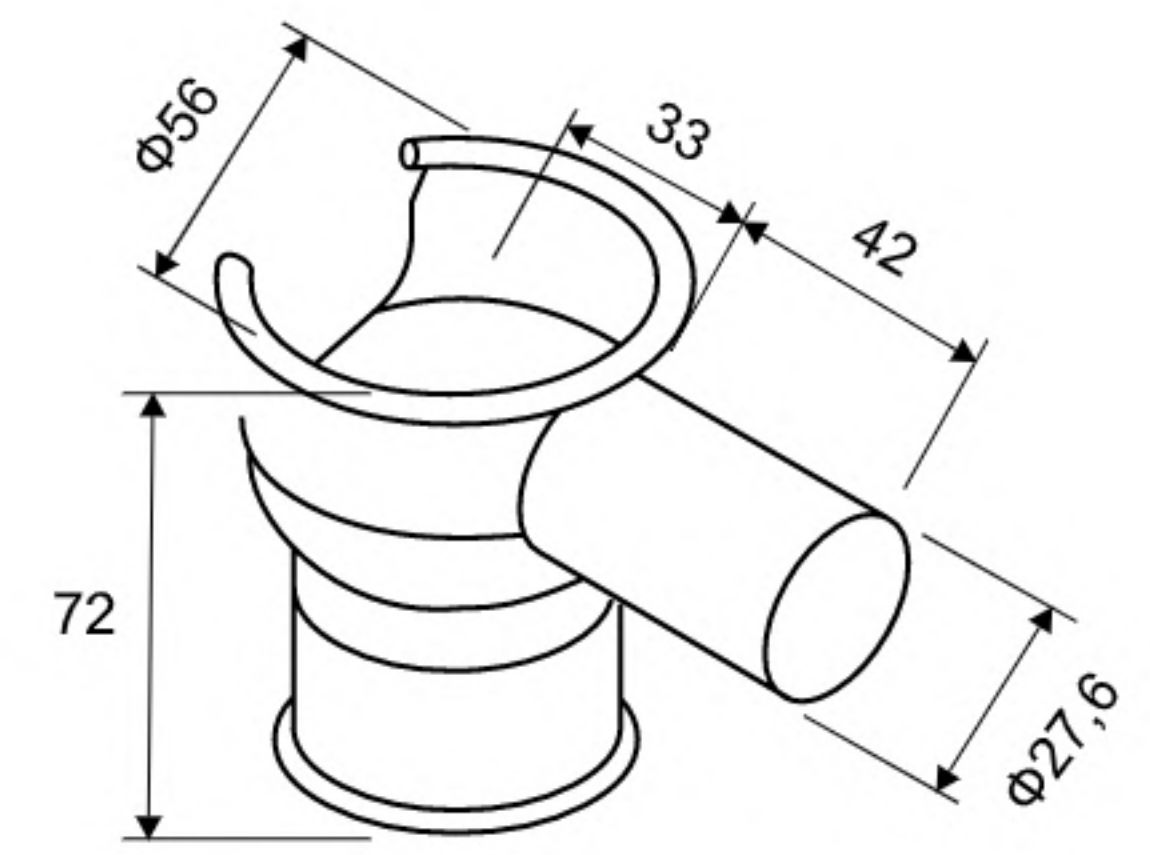
KG/ITEM 0.117
ITEM/PACK 110

F-1



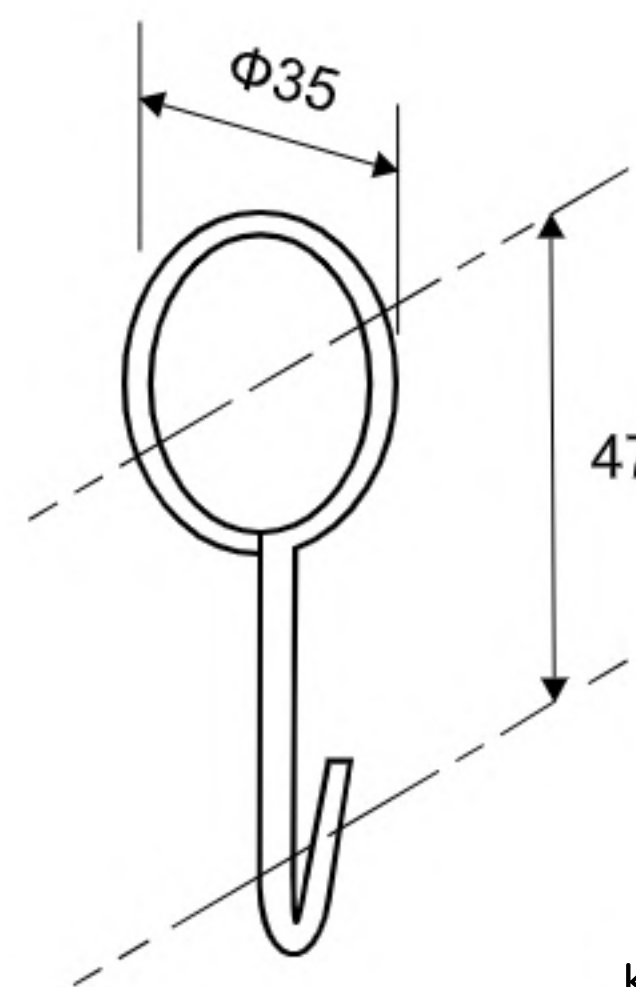
KG/ITEM 0.158
ITEM/PACK 50

F-2



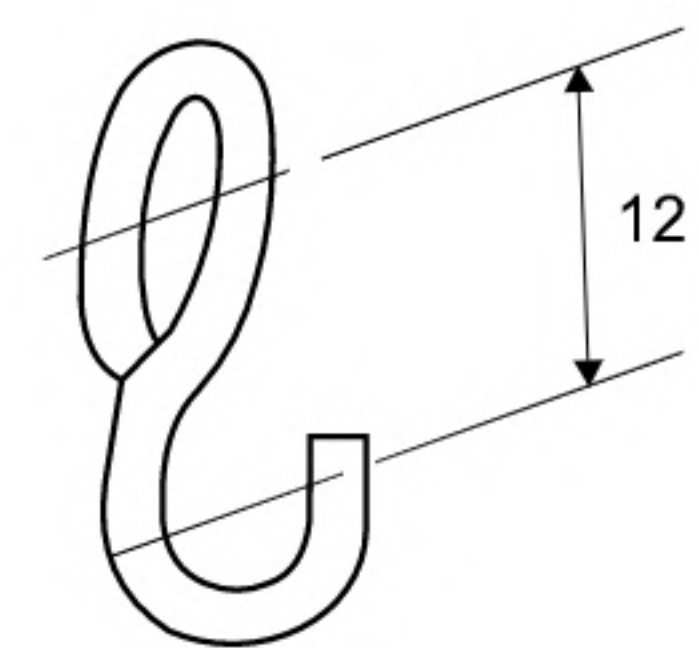
KG/ITEM 0.198
ITEM/PACK 20

F-3



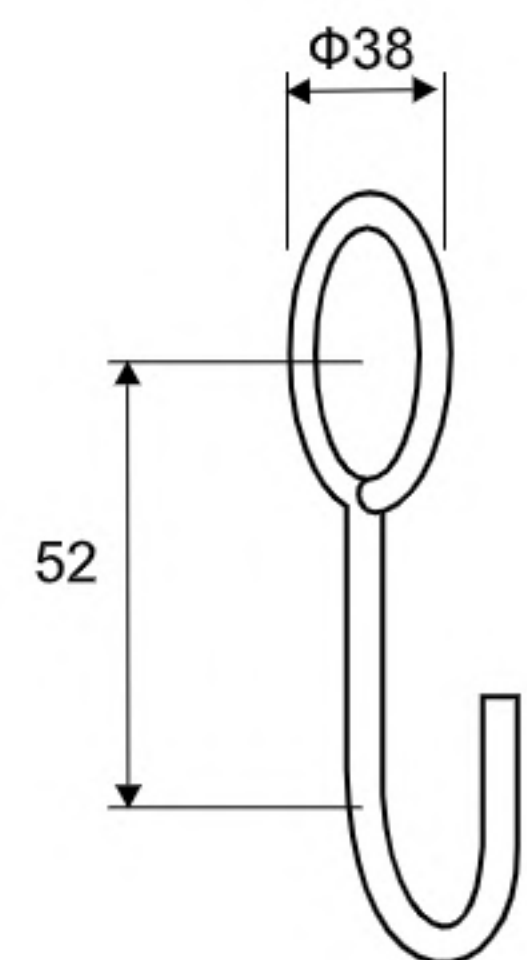
KG/ITEM 0.006
ITEM/PACK 800

F-3A



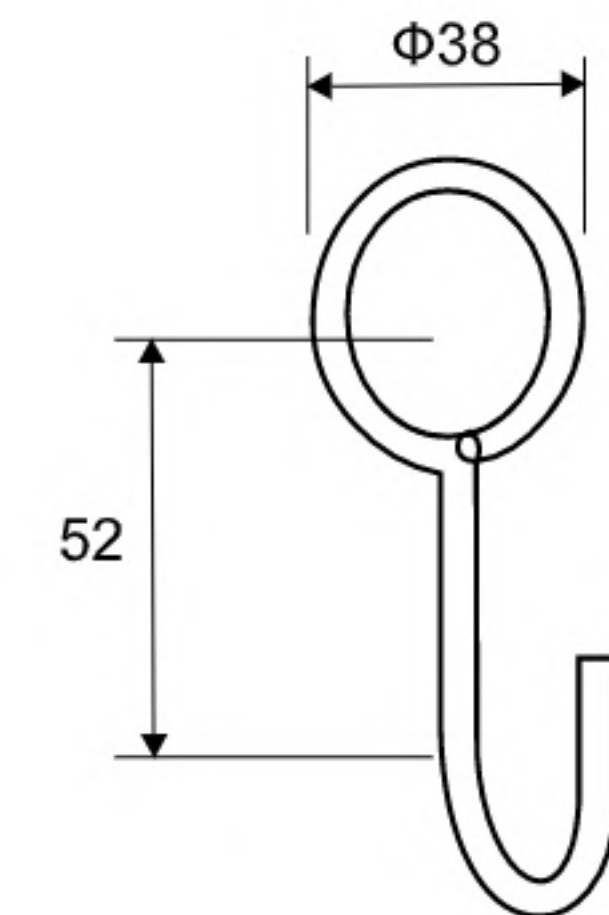
KG/ITEM 0.001
ITEM/PACK 10000

F-3B



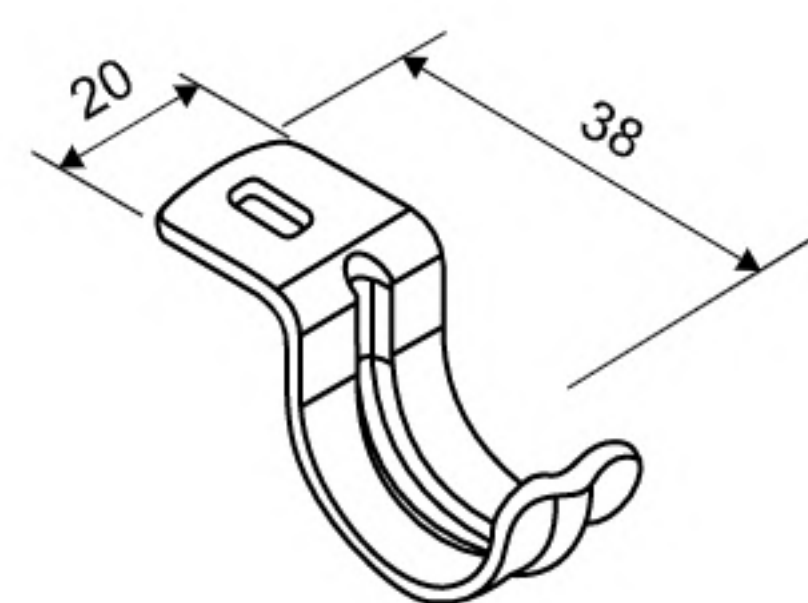
KG/ITEM 0.020
ITEM/PACK 300

F-3C



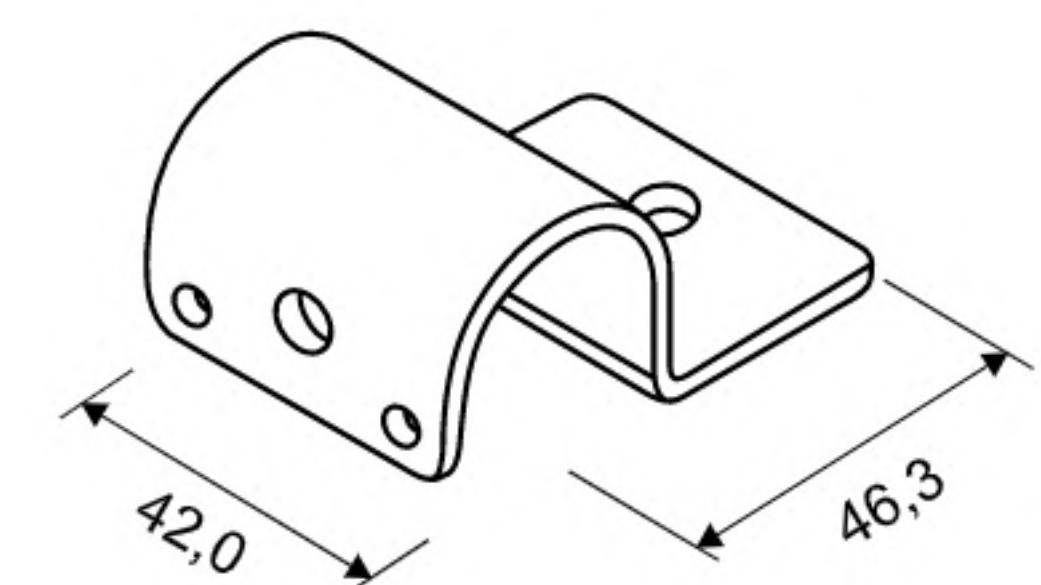
KG/ITEM 0.020
ITEM/PACK 300

F-4



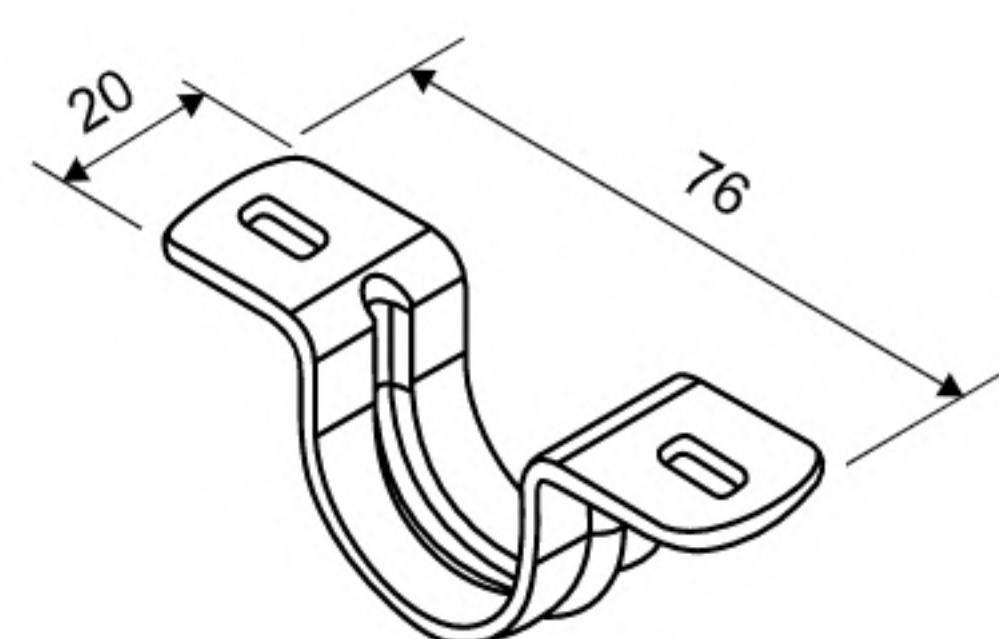
KG/ITEM 0.020
ITEM/PACK 300

F-4A (USED WITH F-10/F-10A/F-21)



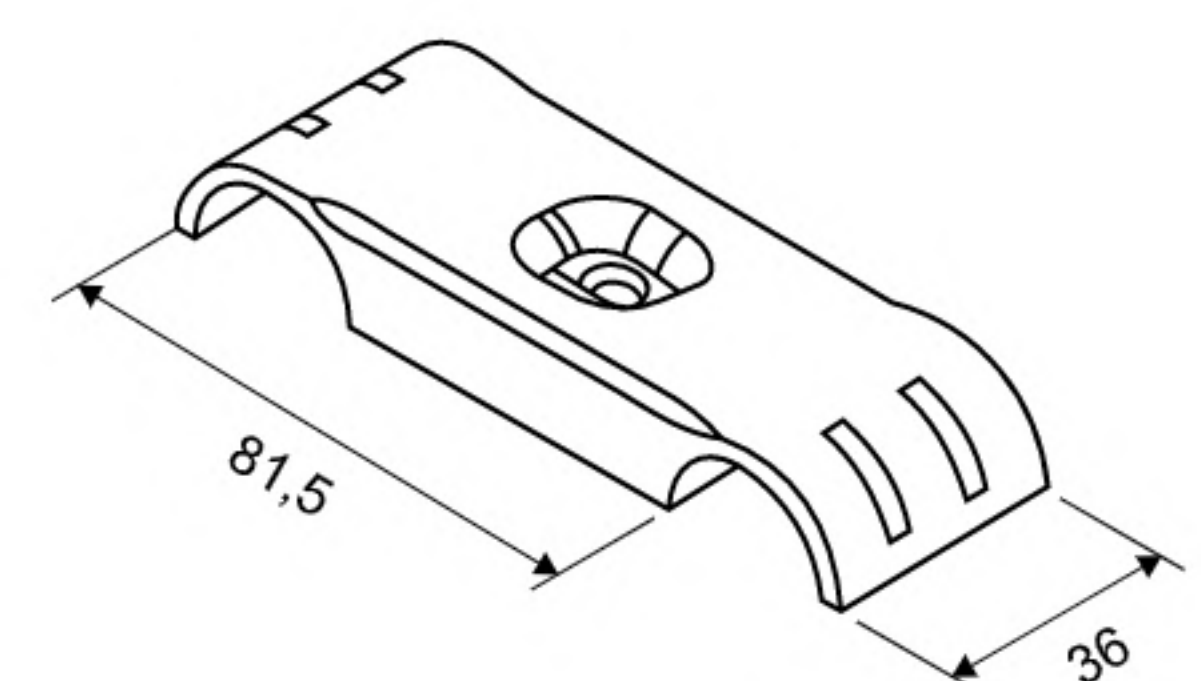
KG/ITEM 0.070
ITEM/PACK 150

F-5



KG/ITEM 0.026
ITEM/PACK 200

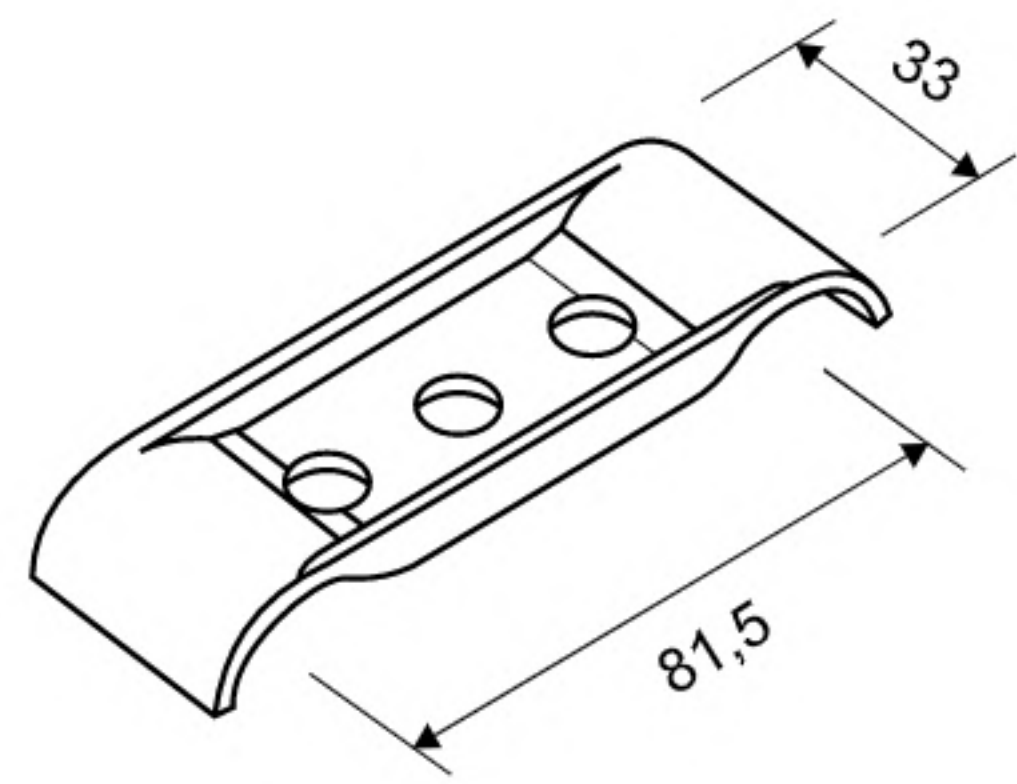
F-6



KG/ITEM 0.104
ITEM/PACK 130

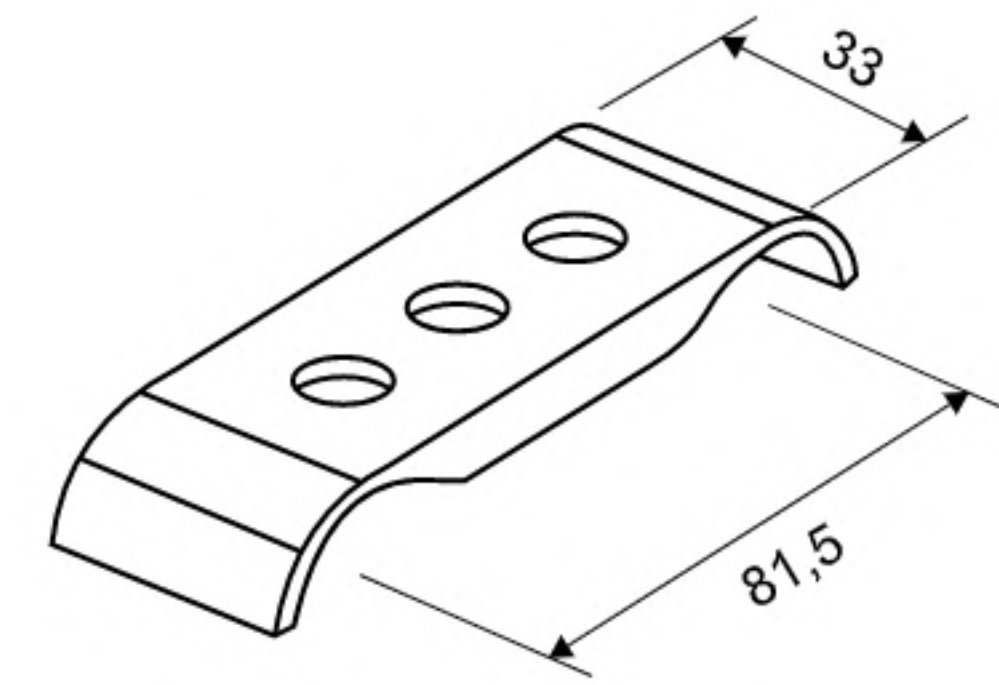
METAL ACCESSORIES

F-7



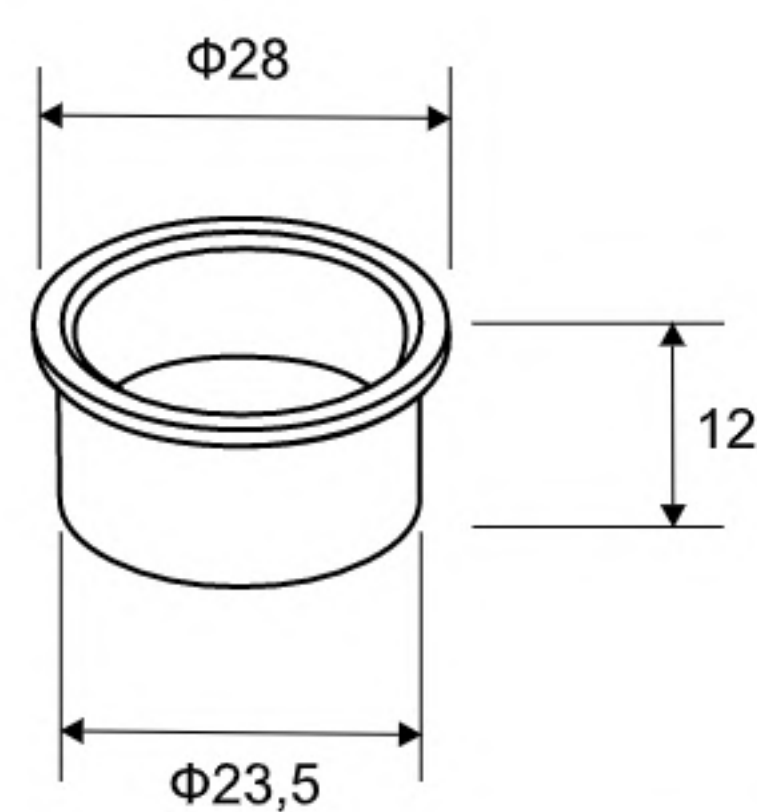
KG/ITEM 0.079
ITEM/PACK 240

F-8



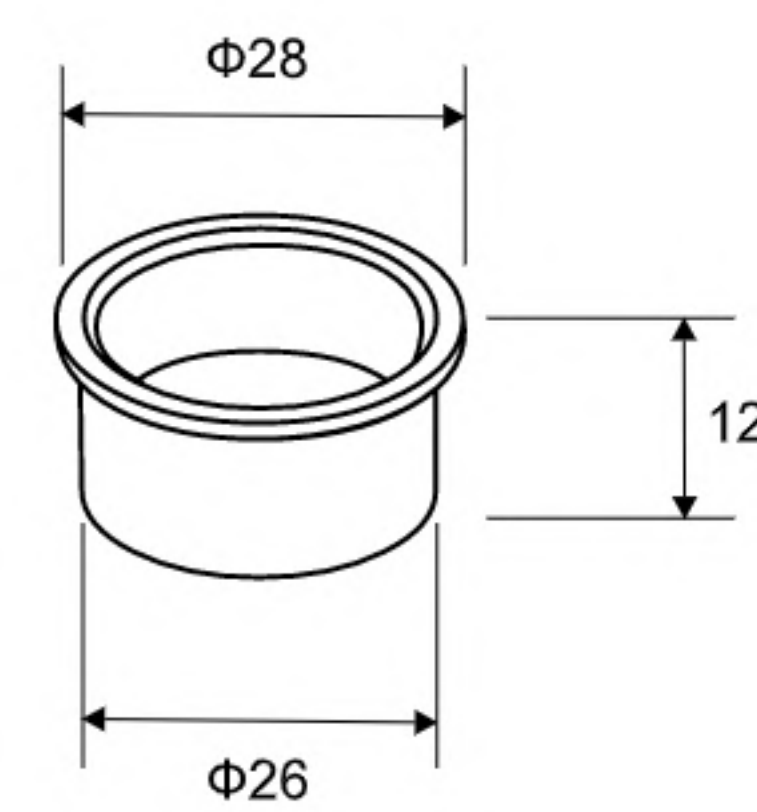
KG/ITEM 0.082
ITEM/PACK 240

F-9



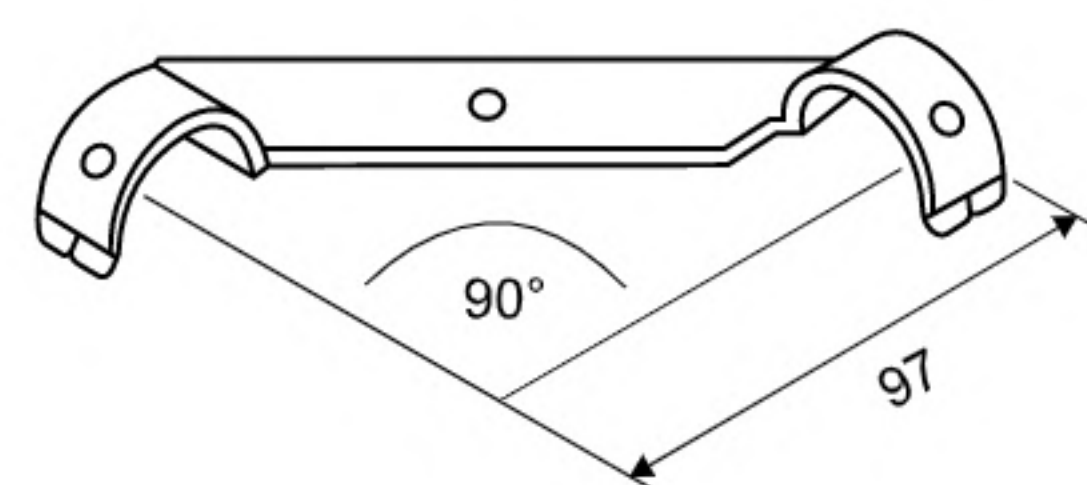
KG/ITEM 0.013
ITEM/PACK 800

F-9A



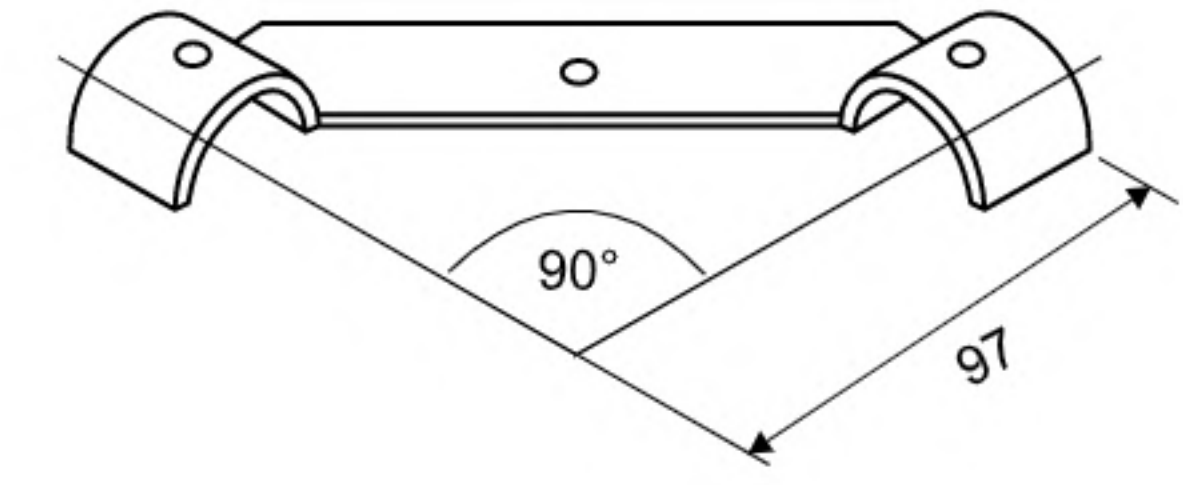
KG/ITEM 0.013
ITEM/PACK 800

F-10 (USED WITH F-4A/F-10A/F-21)



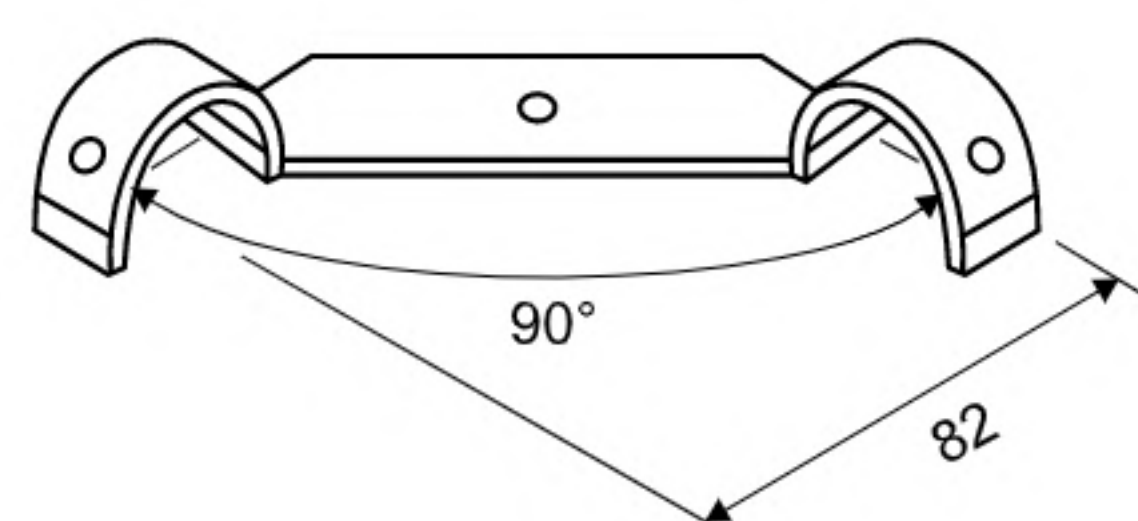
KG/ITEM 0.072
ITEM/PACK 90

F-10A (USED WITH F-4A/F-10A/F-21)



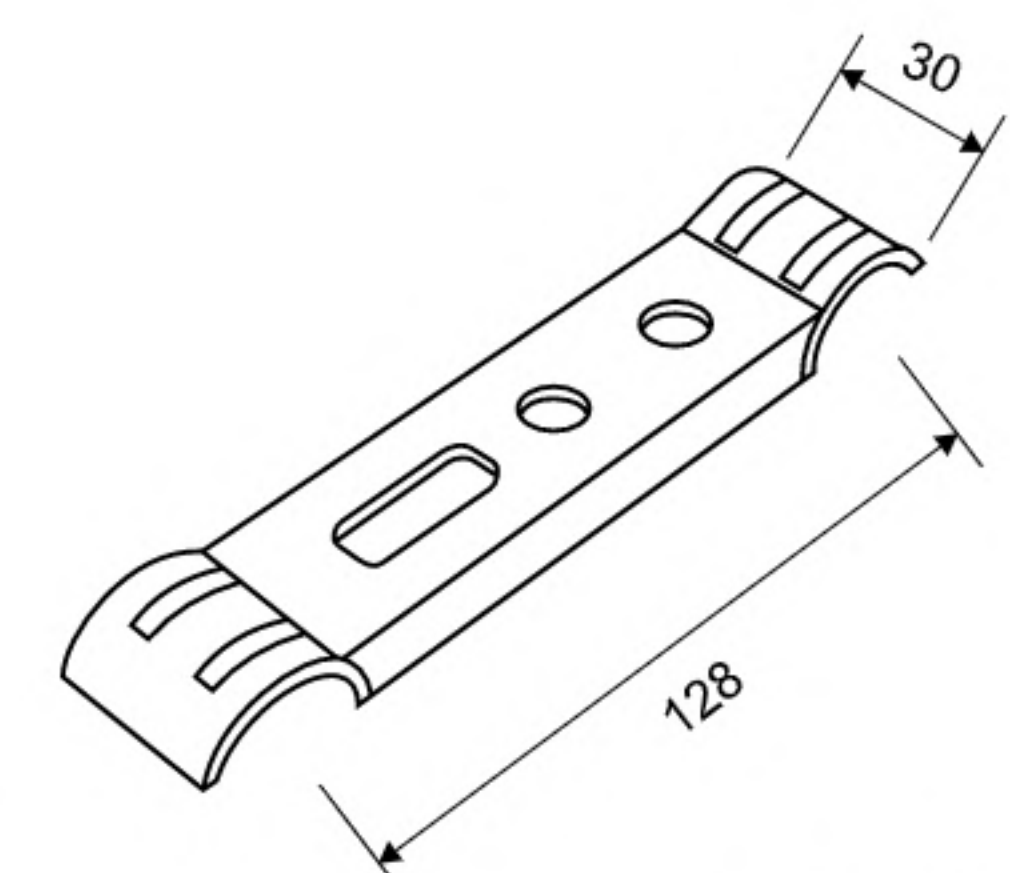
KG/ITEM 0.106
ITEM/PACK 75

F-10B (USED WITH F-4A/F-10A/F-21)



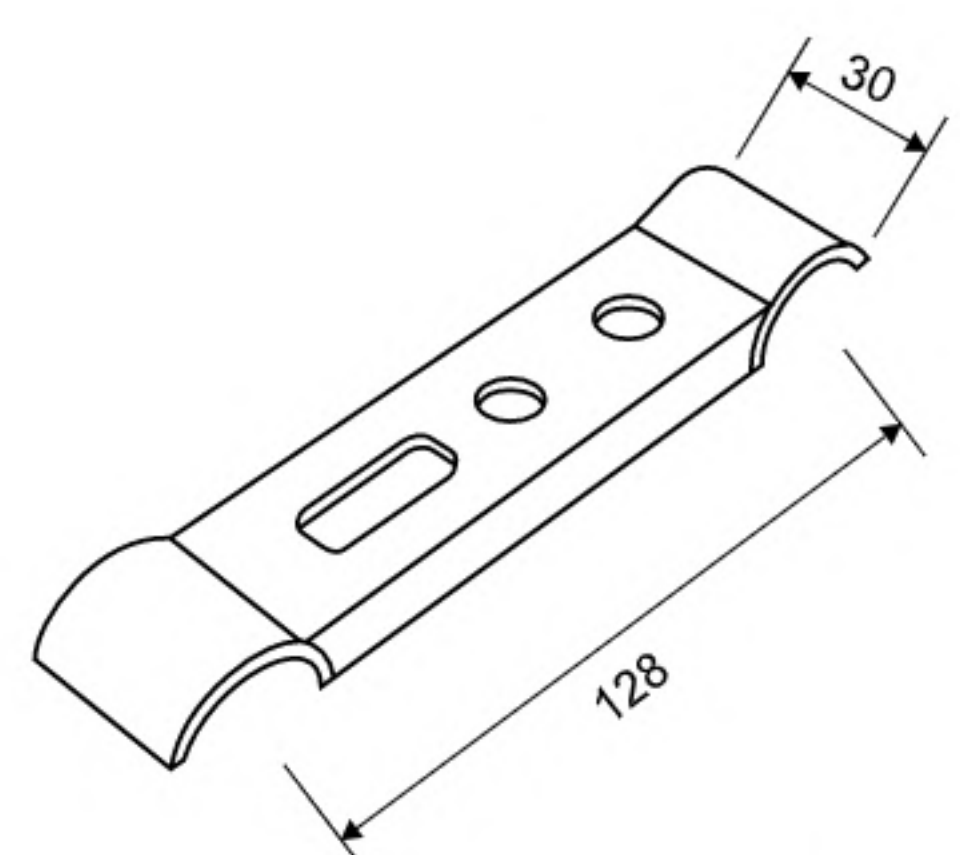
KG/ITEM 0.065
ITEM/PACK 75

F-11



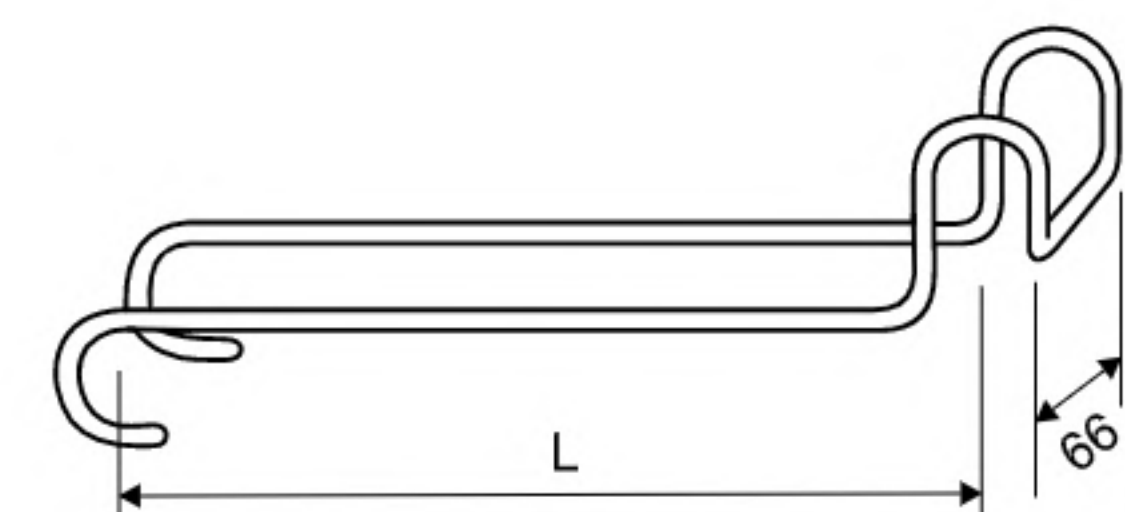
KG/ITEM 0.108
ITEM/PACK 120

F-11A



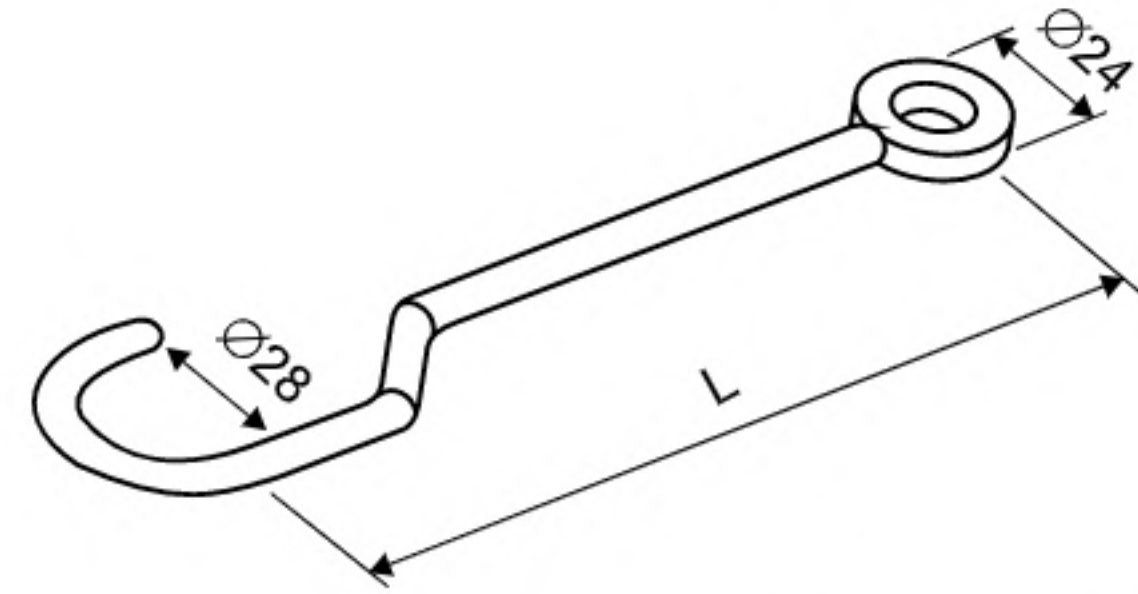
KG/ITEM 0.109
ITEM/PACK 120

F-12A/F-12B/F-12C



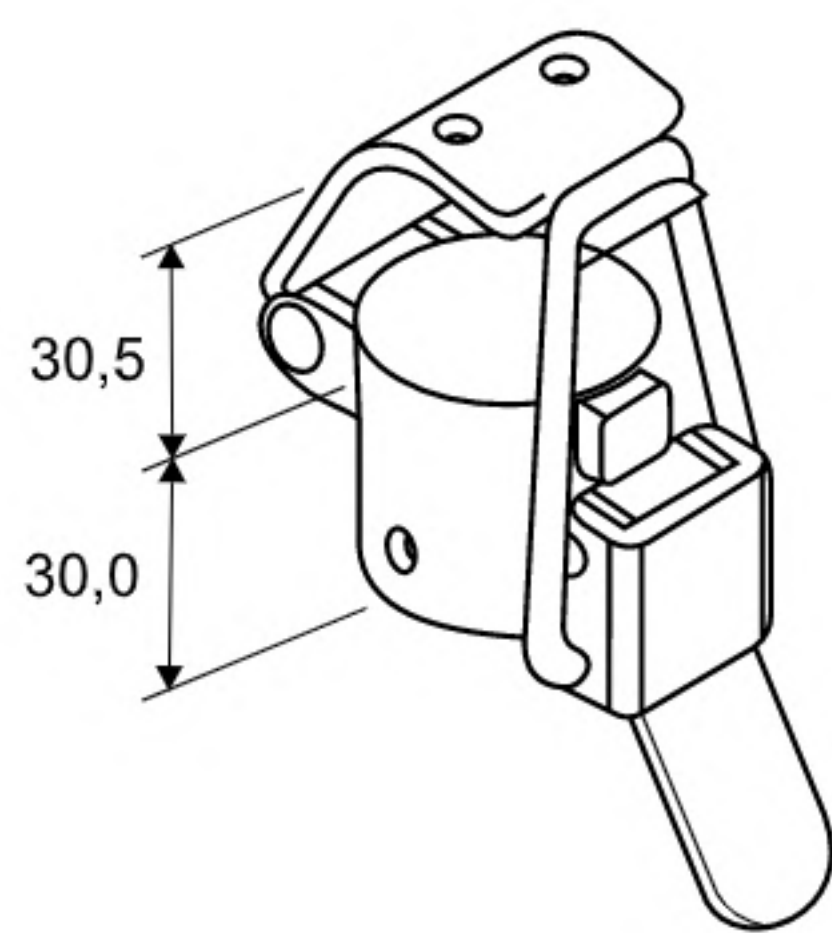
CODE	F-12A	F-12B	F-12C
LENGTH	235	335	435
KG/ITEM	0.183	0.225	0.255
ITEM/PACK	40	30	25

F-13A/F-13B/F-13C/F-13D



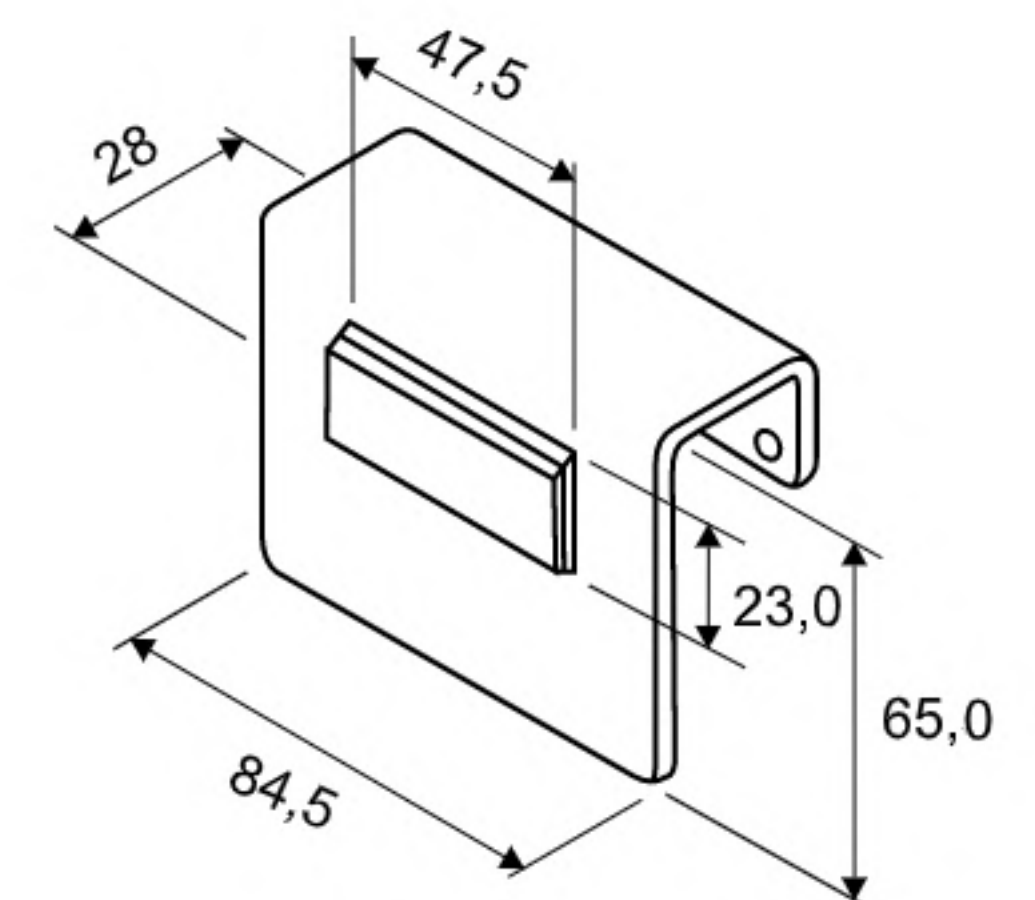
CODE	F-13A	F-13B	F-13C	F-13D
LENGTH	60	100	150	200
KG/ITEM	0.039	0.048	0.059	0.070
ITEM/PACK	350	230	180	150

F-15



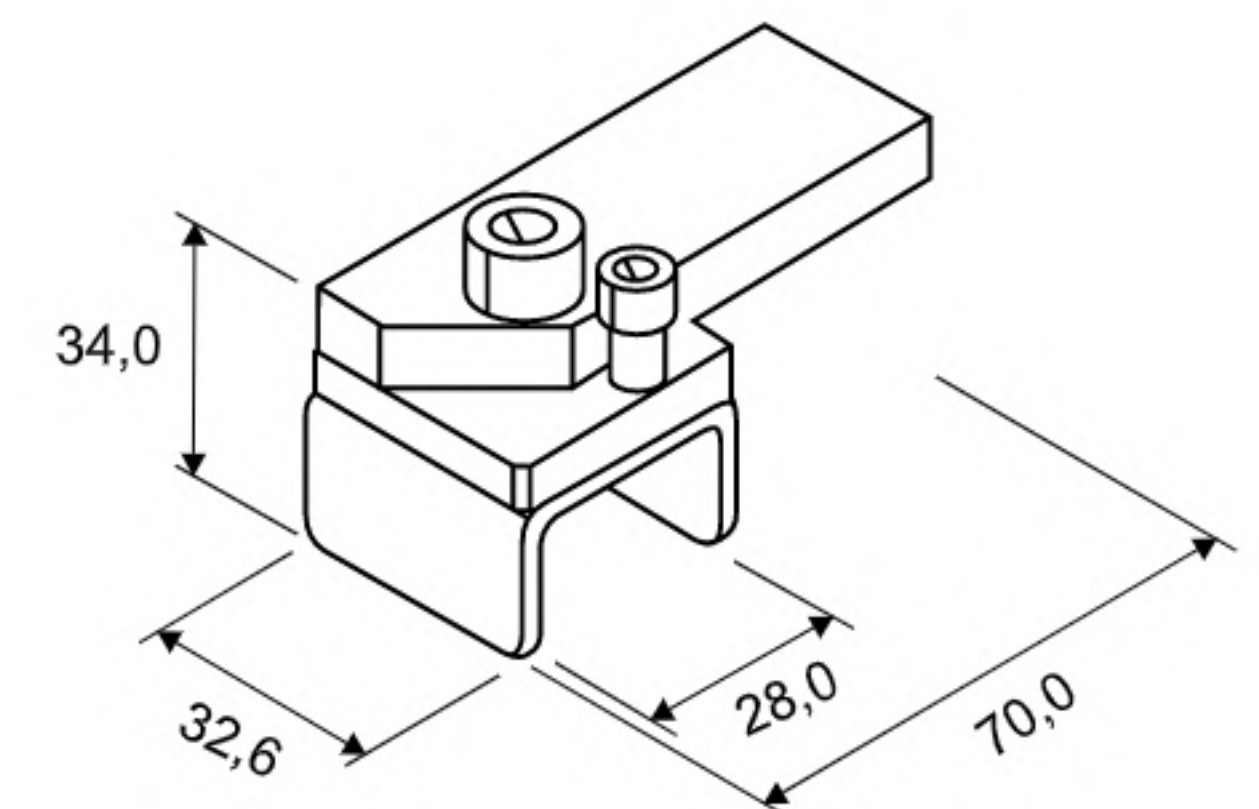
KG/ITEM 0.145
ITEM/PACK 75

F-14



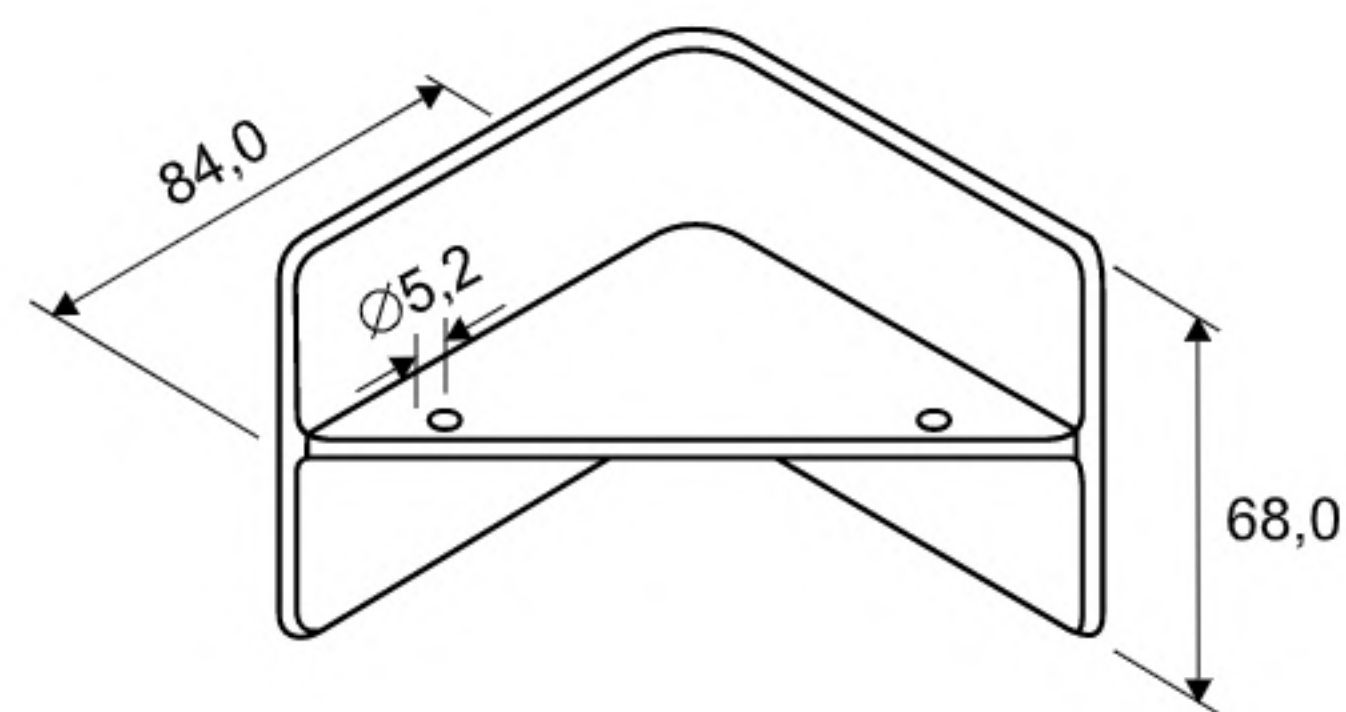
KG/ITEM 0.188
ITEM/PACK 60

F-16



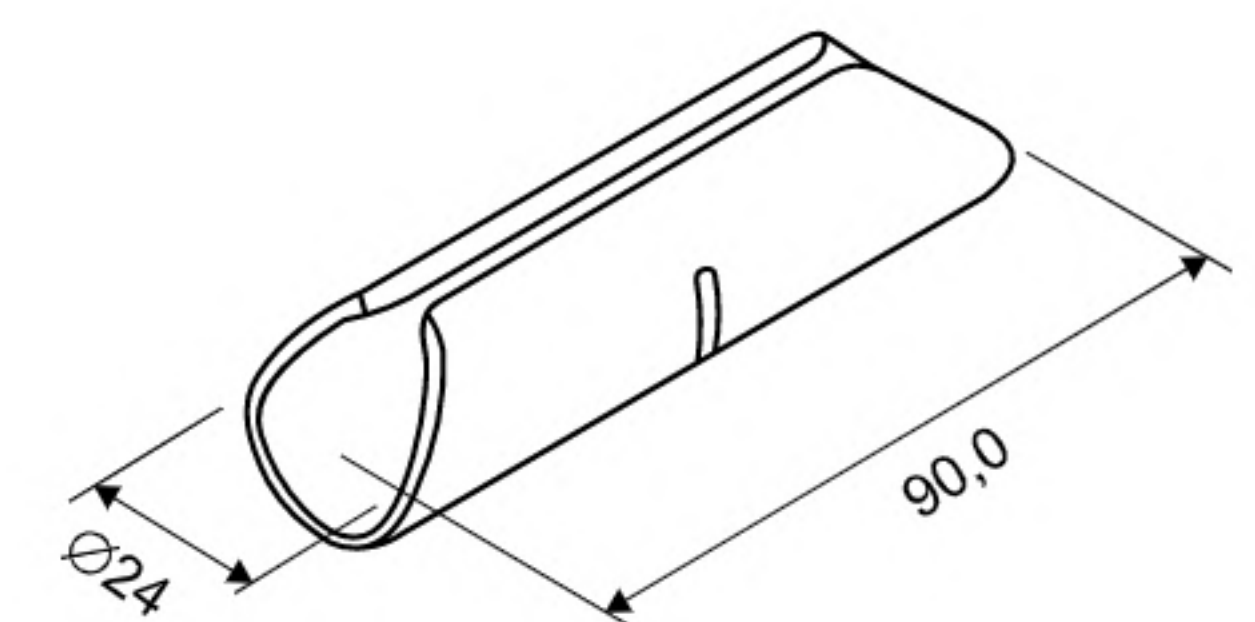
KG/ITEM 0.230
ITEM/PACK 130

F-17



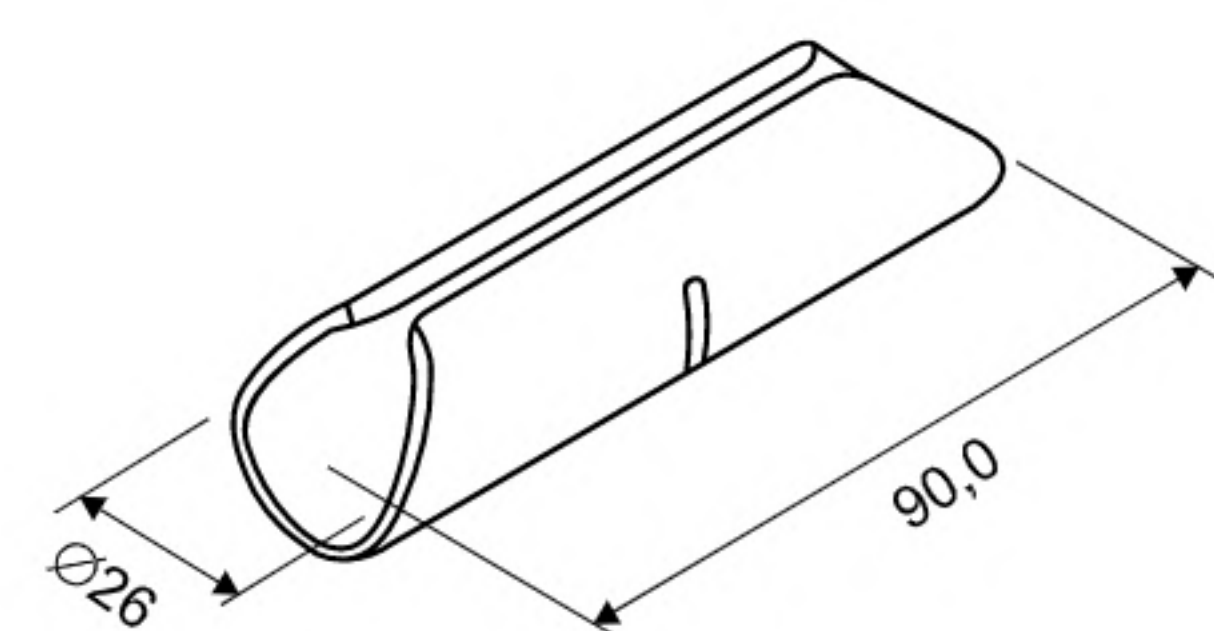
KG/ITEM 0.275
ITEM/PACK 25

F-18



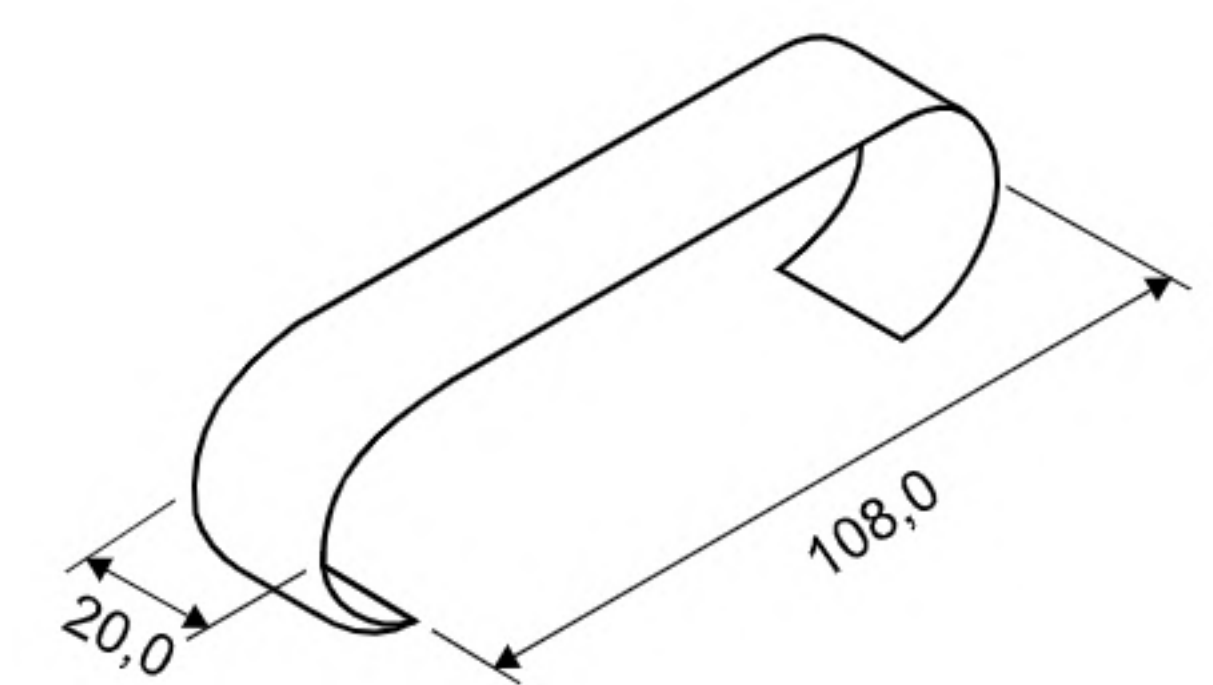
KG/ITEM 0.060
ITEM/PACK 120

F-18A



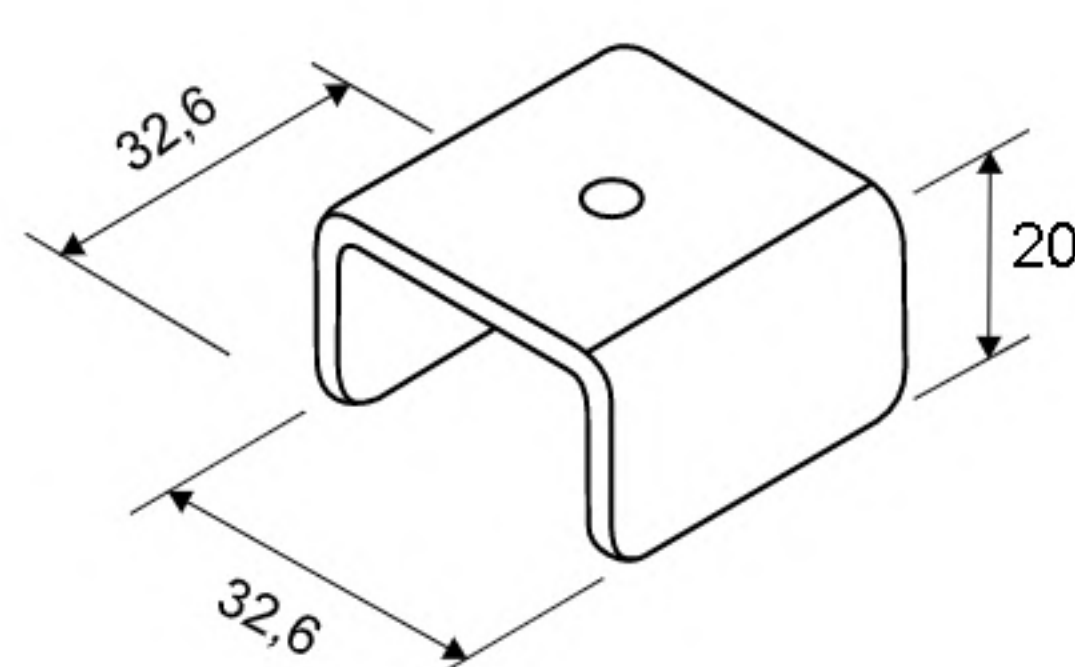
KG/ITEM 0.060
ITEM/PACK 120

F-19



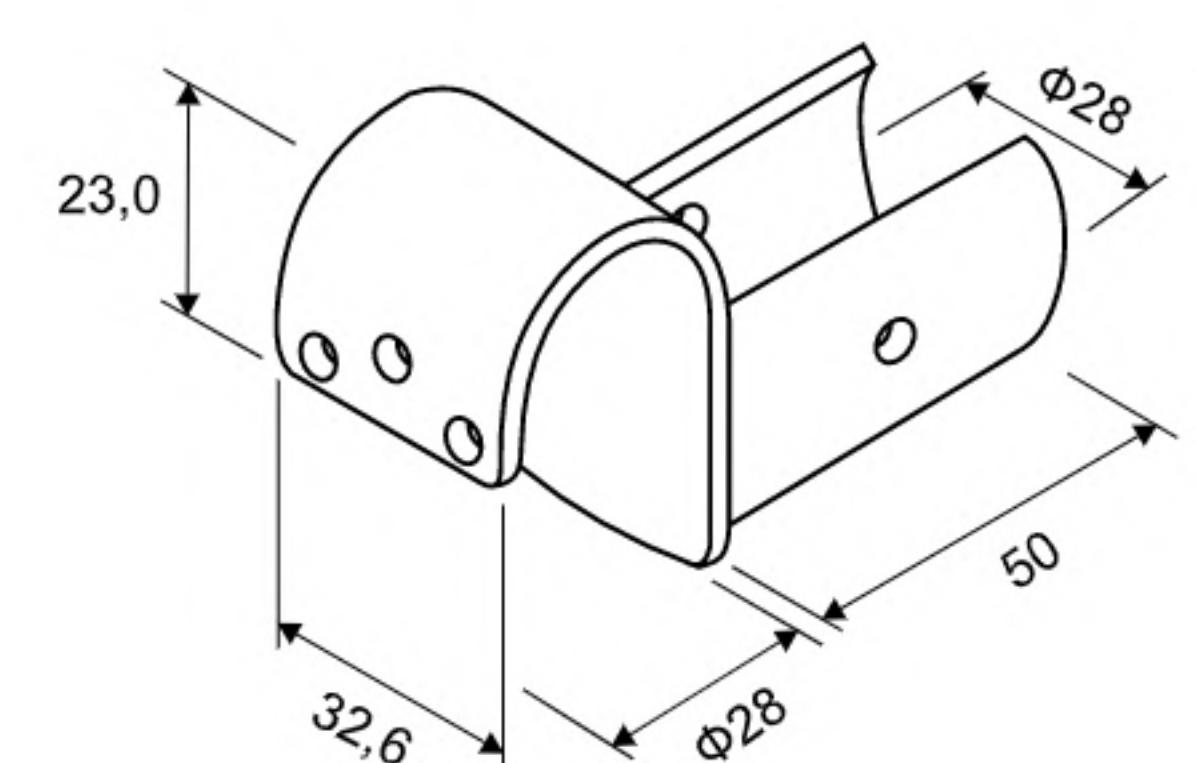
KG/ITEM 0.015
ITEM/PACK 200

F-20



KG/ITEM 0.037
ITEM/PACK 500

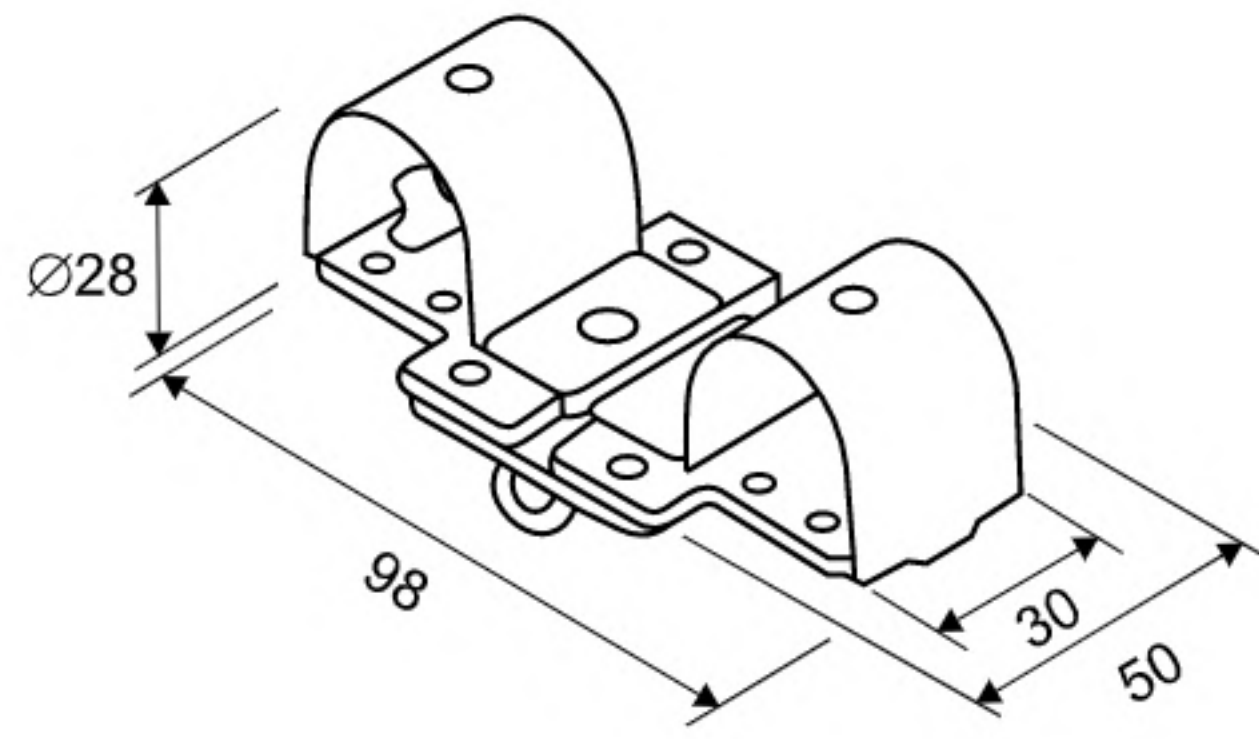
F-21 (USED WITH F-4A/F-10/F-10A)



KG/ITEM 0.130
ITEM/PACK 80

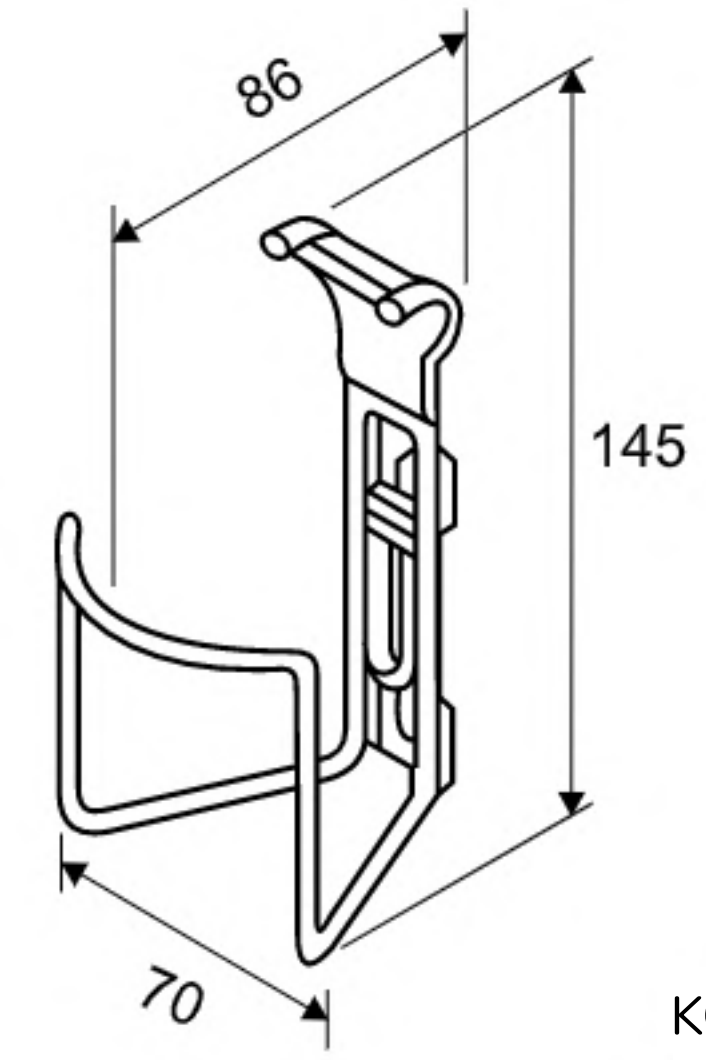
METAL ACCESSORIES

F-22



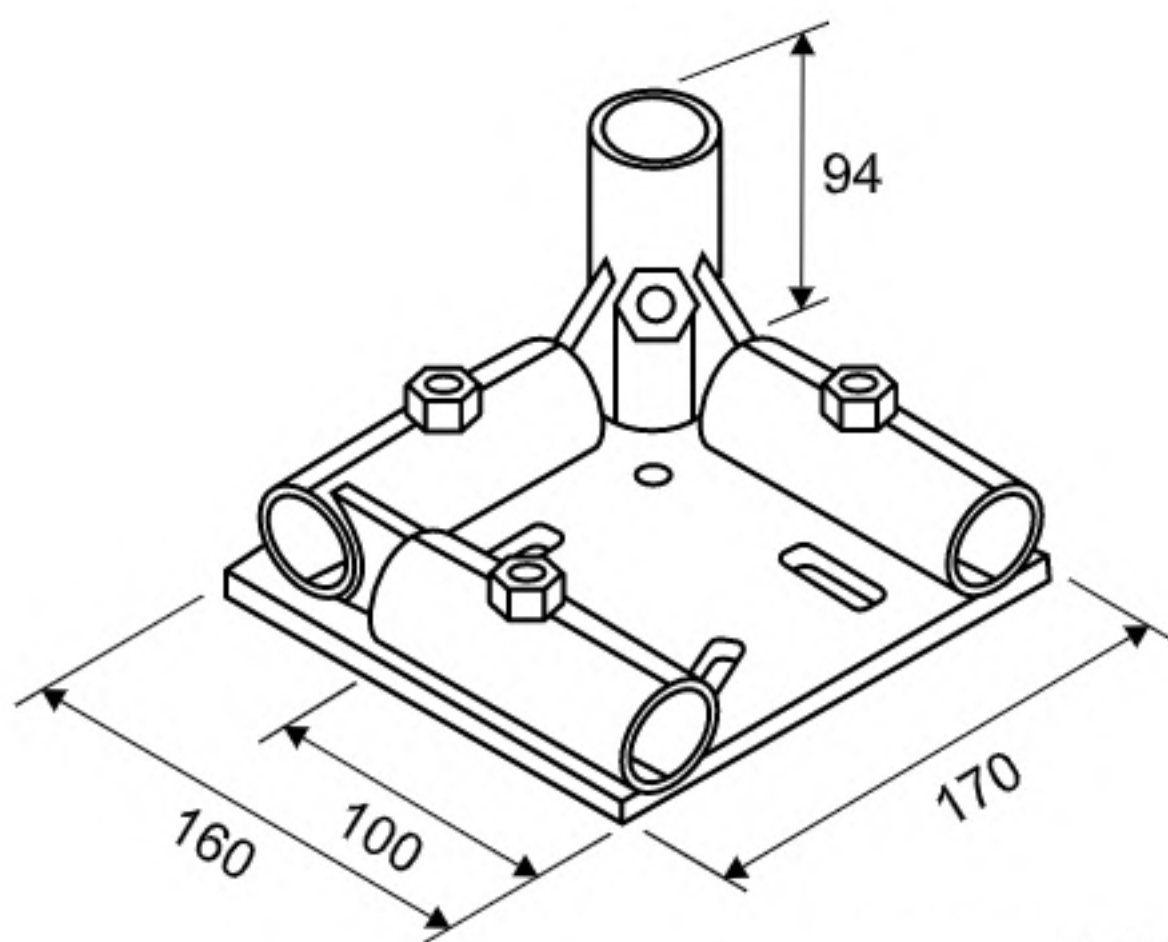
KG/ITEM 0.190
ITEM/PACK 40

F-23



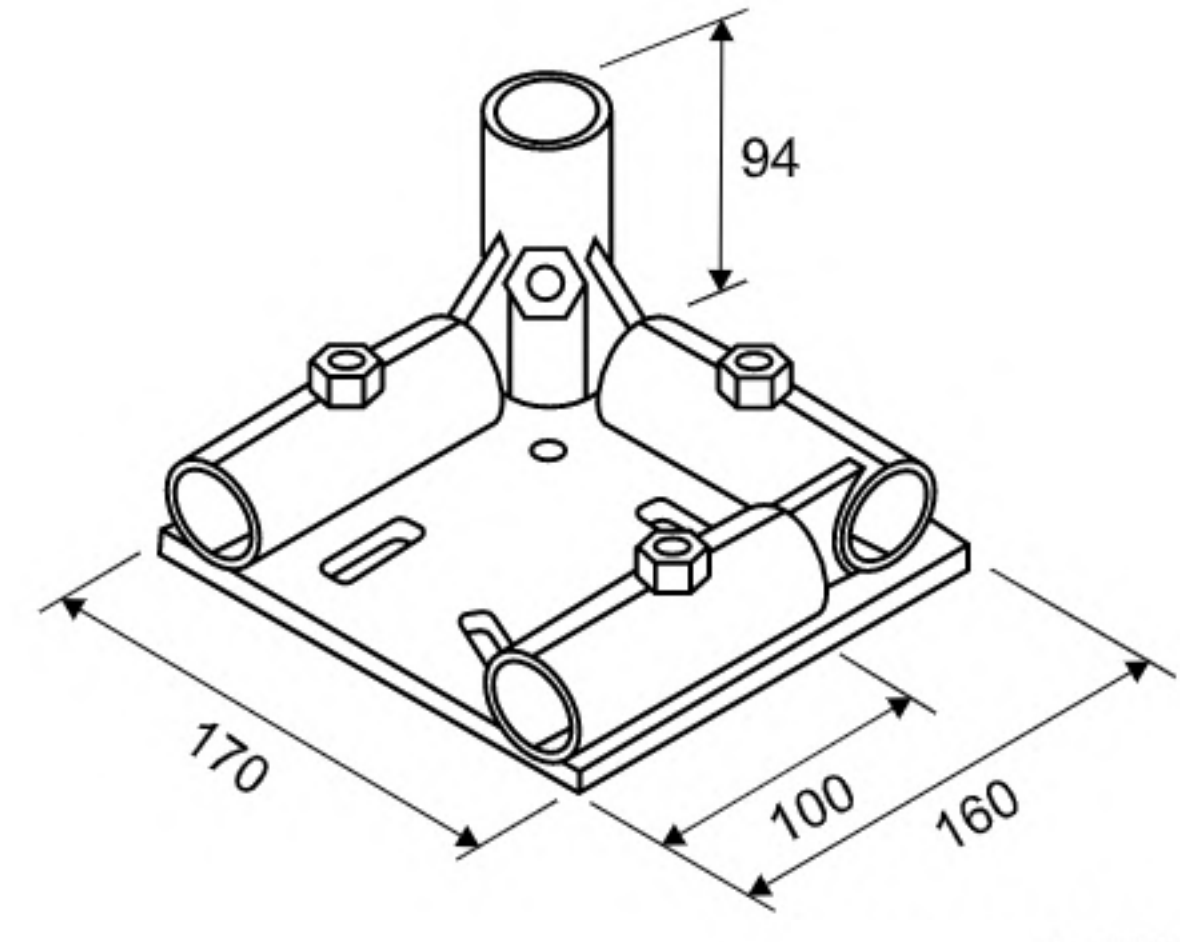
KG/ITEM 0.040
ITEM/PACK 30

F-24A



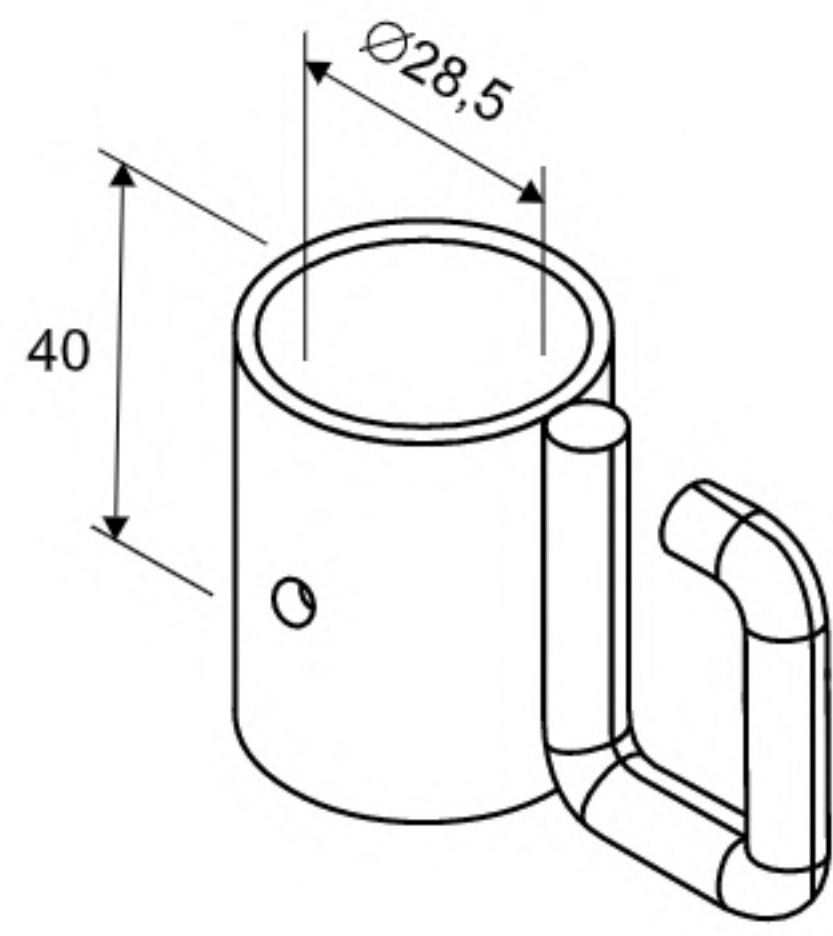
KG/ITEM 1.930
ITEM/PACK 4

F-24B



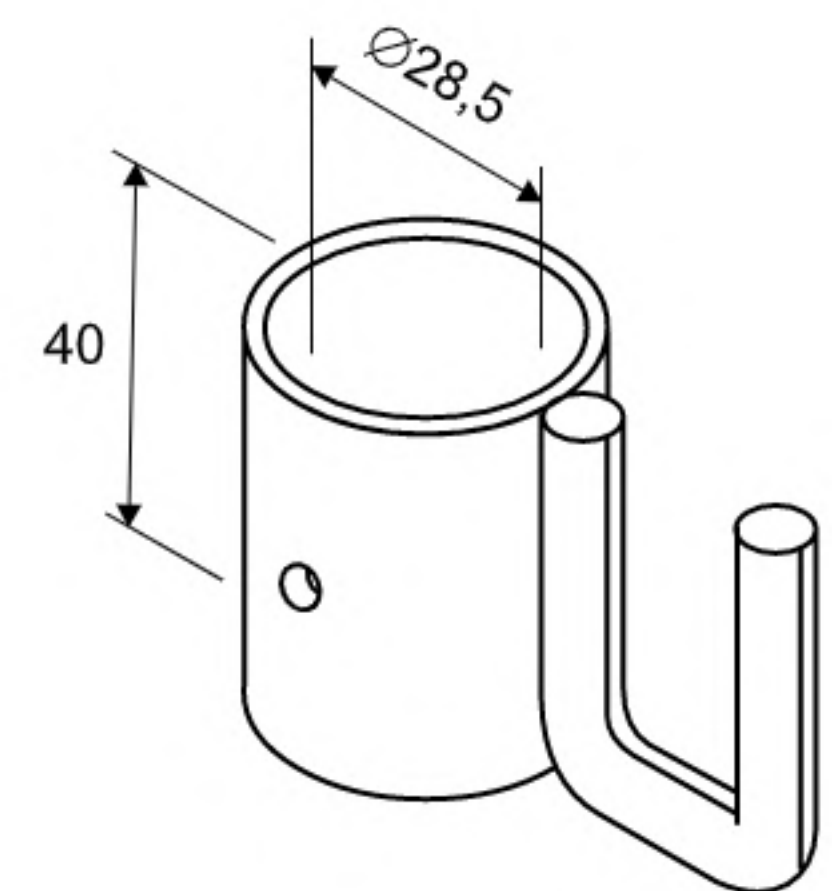
KG/ITEM 1.930
ITEM/PACK 4

F-25A



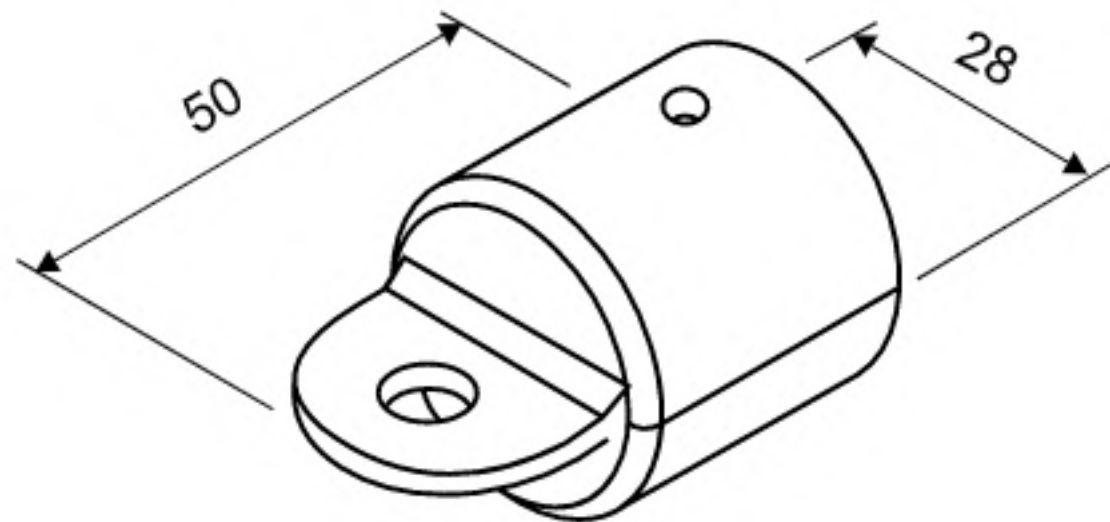
KG/ITEM 0.075
ITEM/PACK 120

F-25B



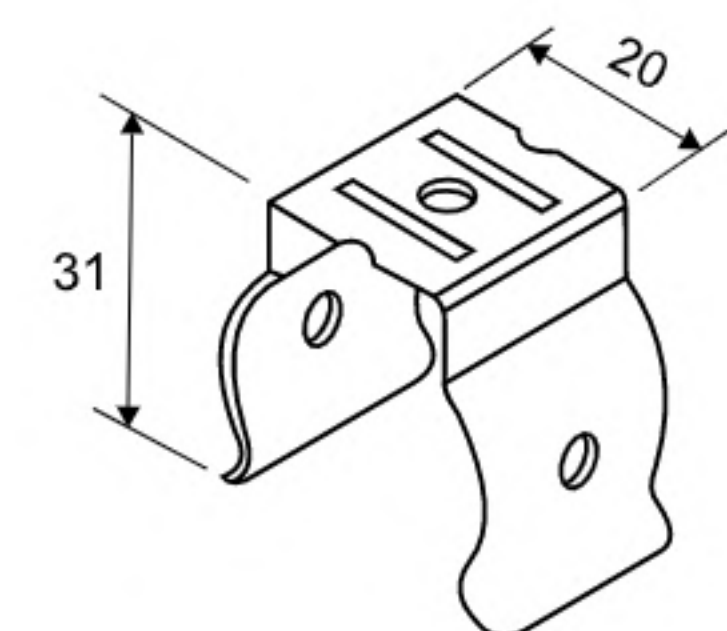
KG/ITEM 0.073
ITEM/PACK 120

F-25C



KG/ITEM 0.041
ITEM/PACK 220

F-26



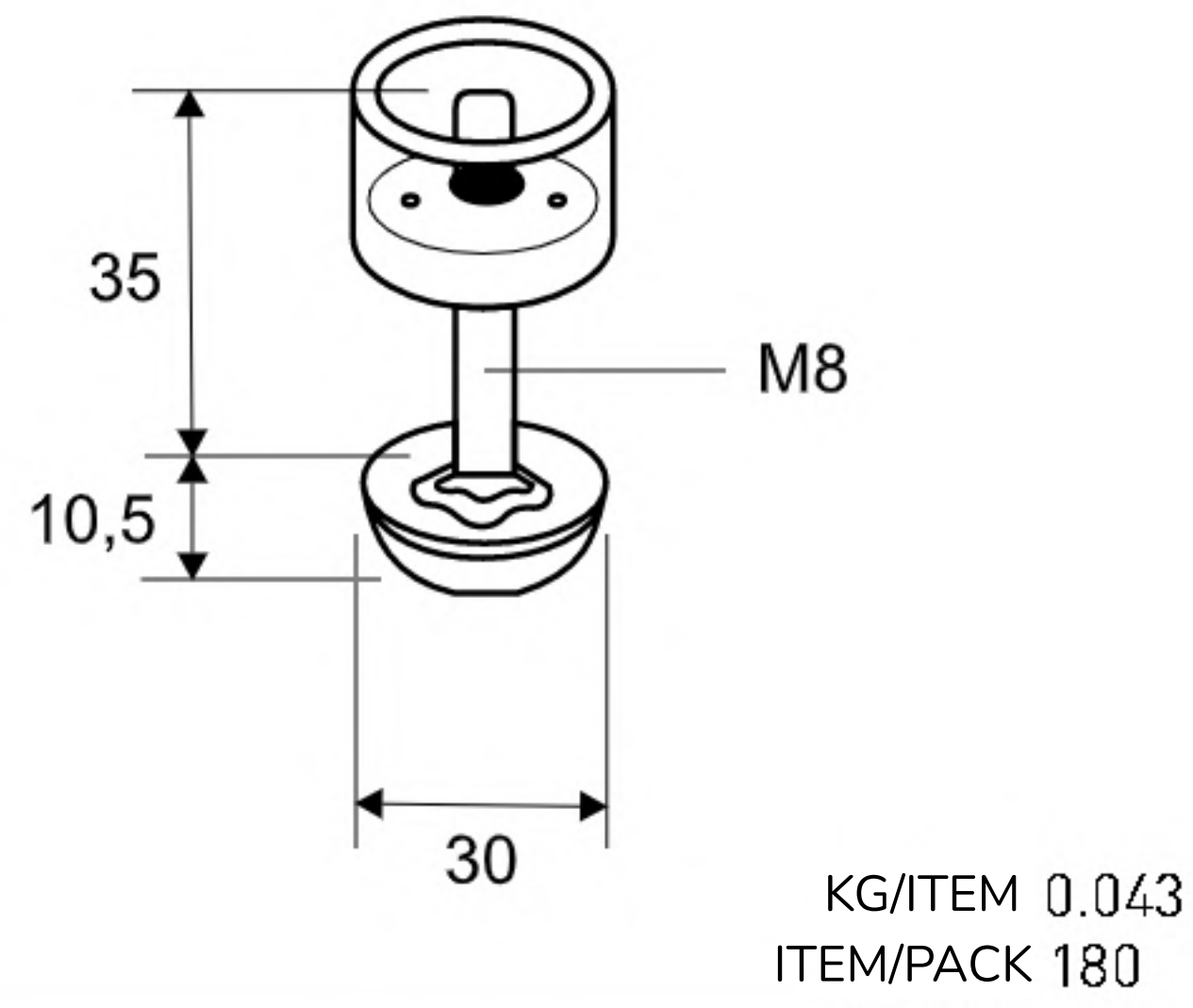
KG/ITEM 0.009
ITEM/PACK 400

L SERIES ADJUSTABLE SUPPORTS

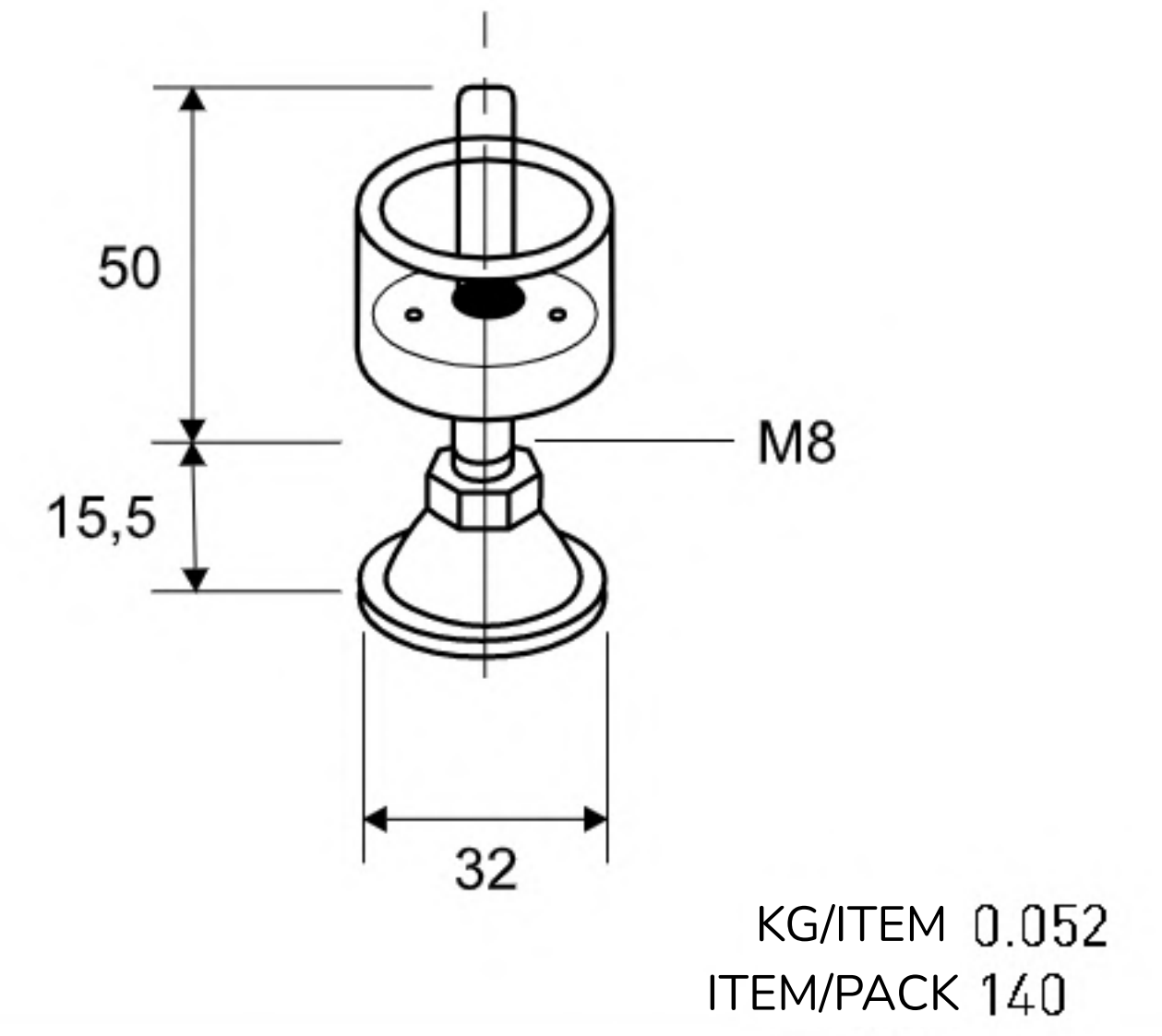


ADJUSTABLE SUPPORTS

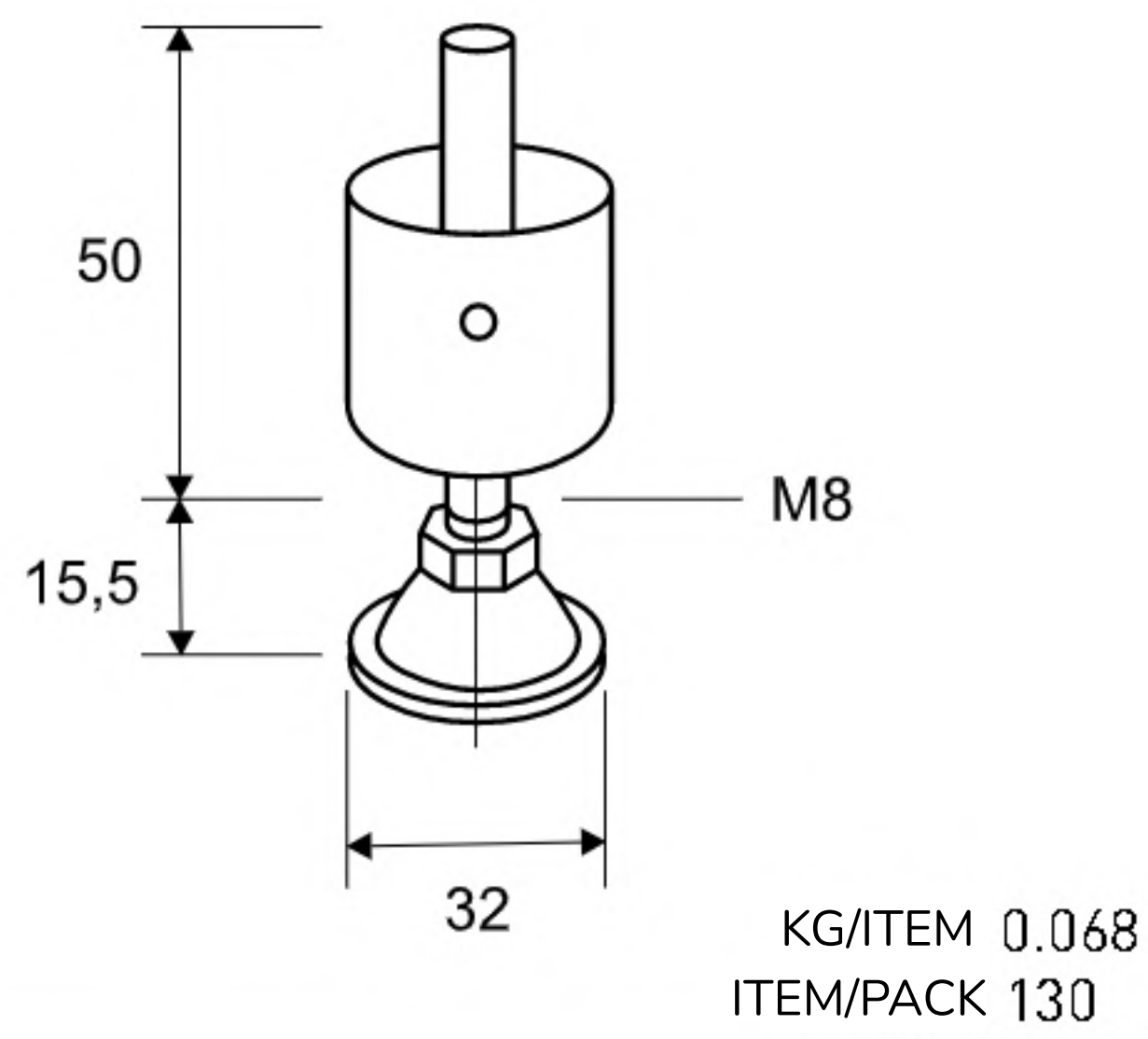
L-1



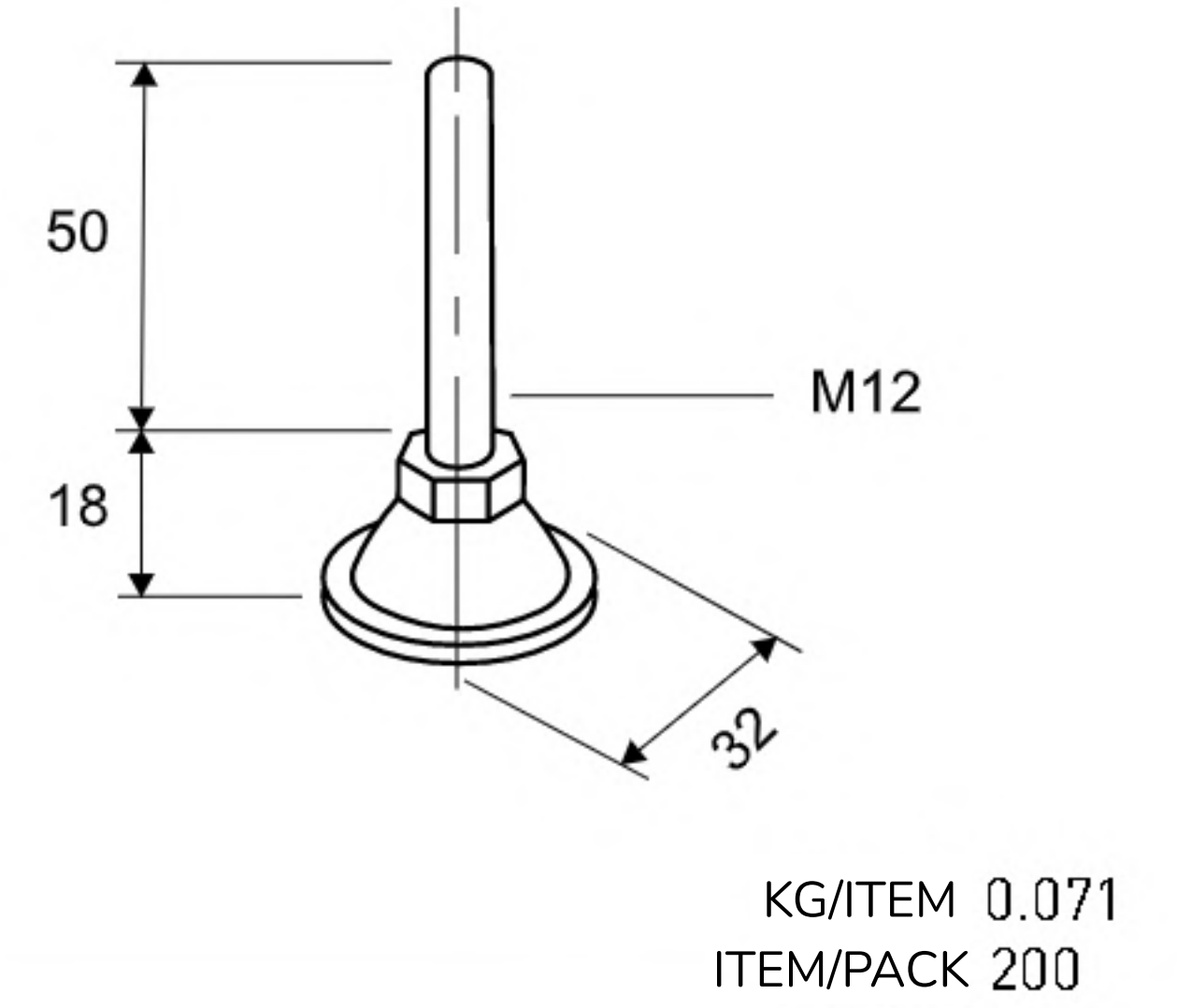
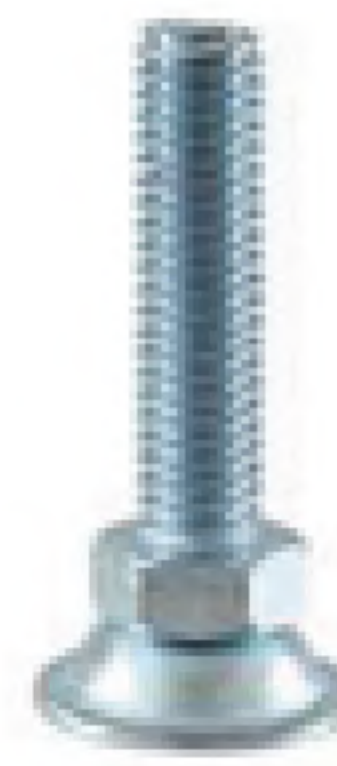
L-2



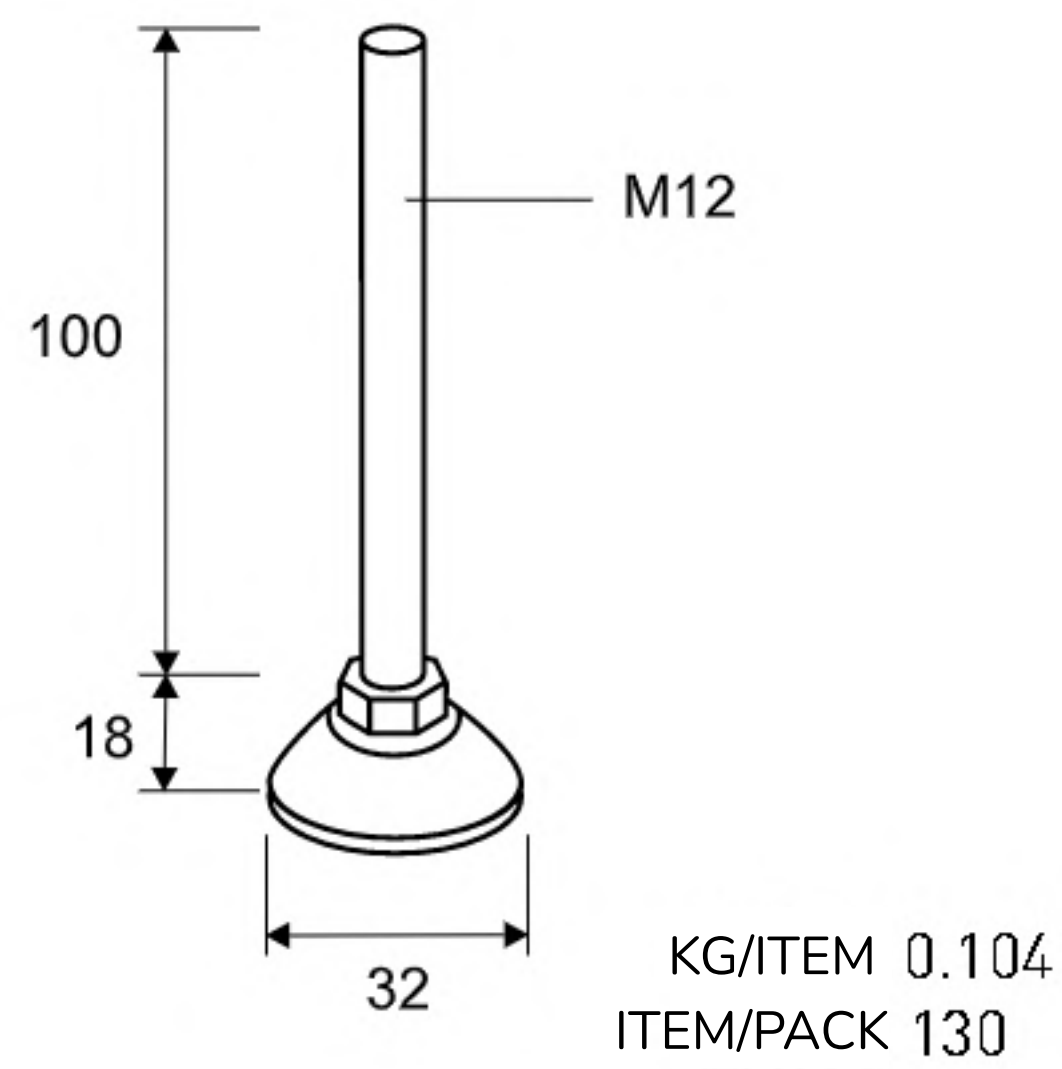
L-2A



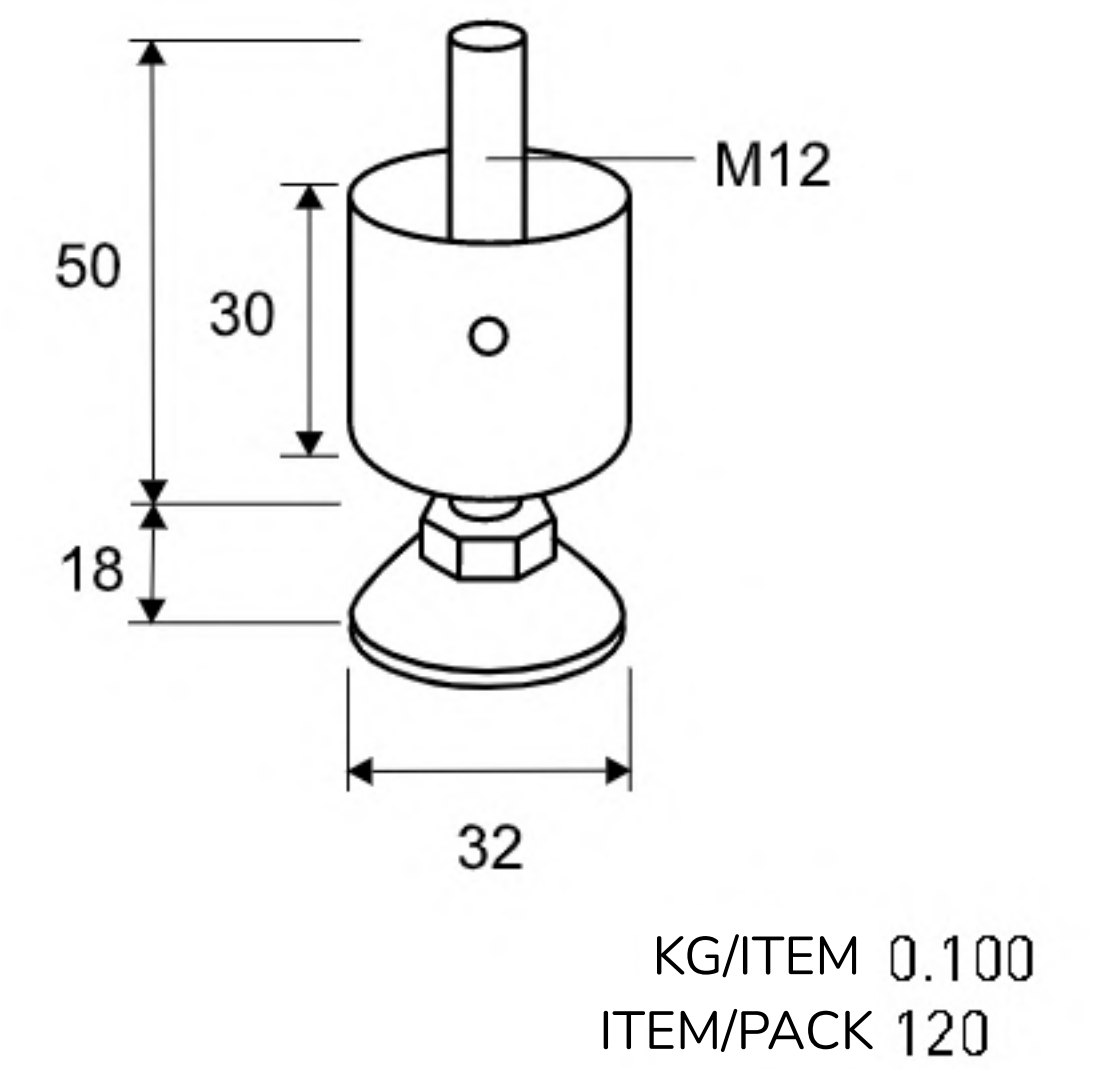
L-3



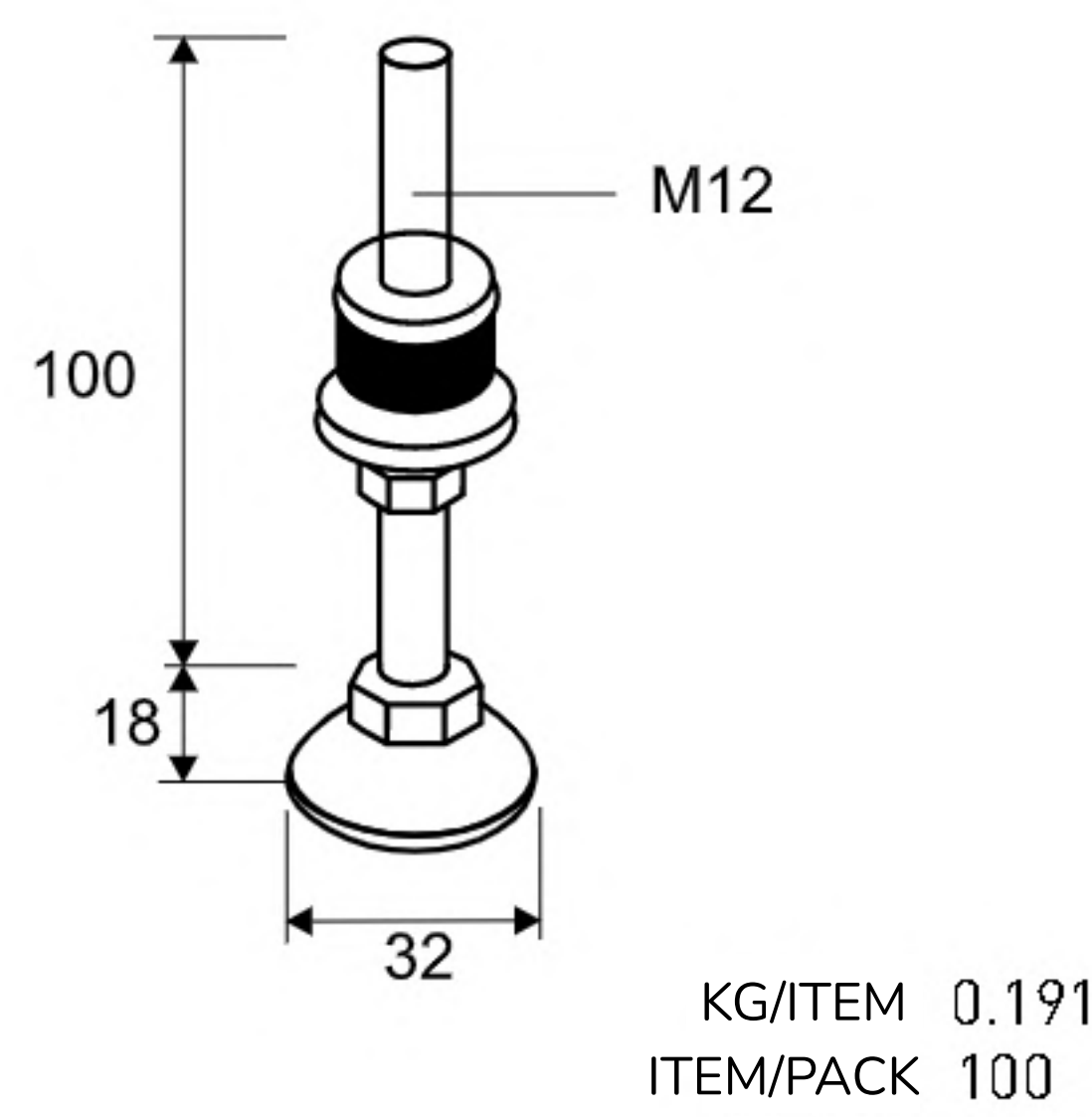
L-3A



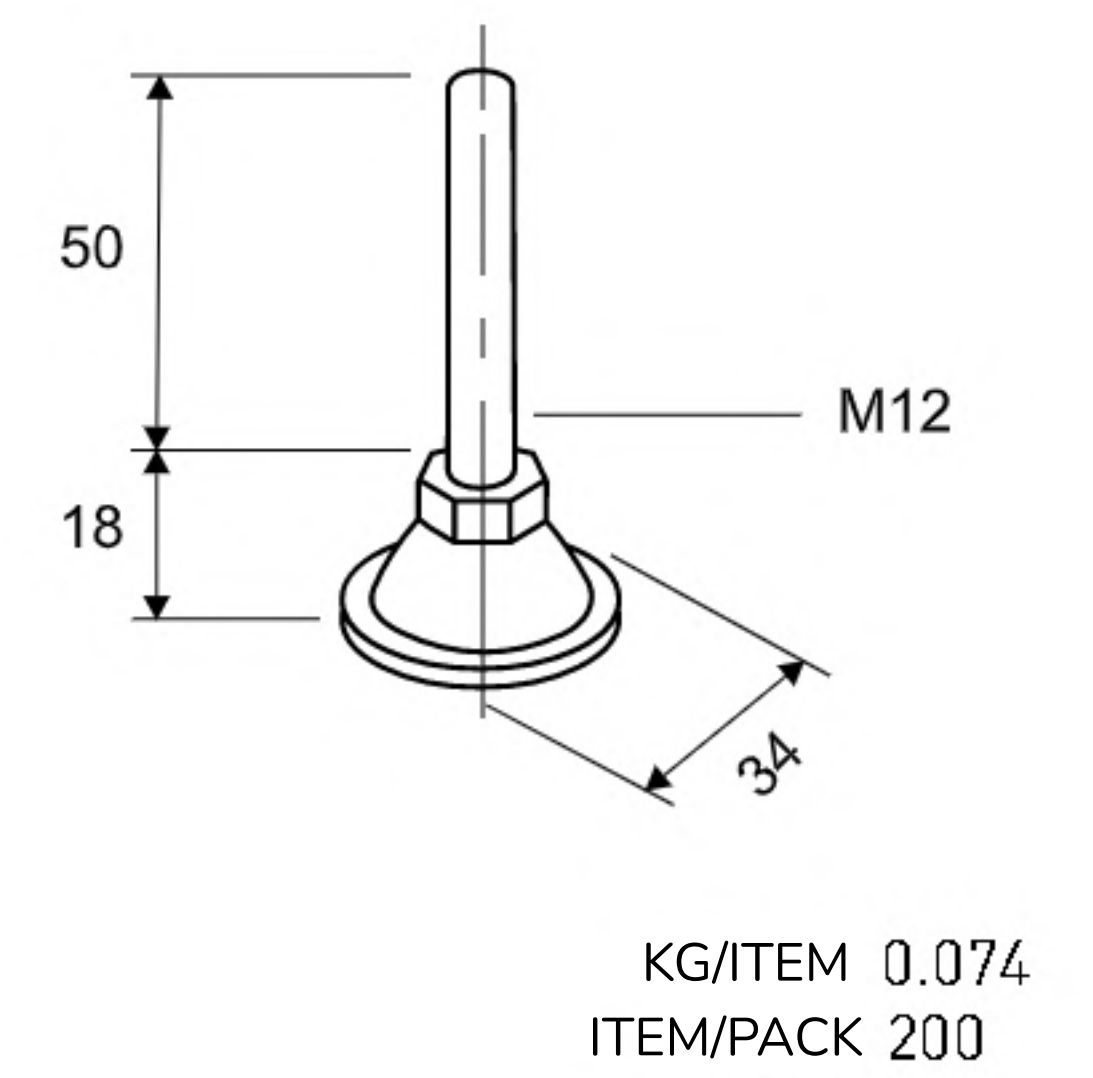
L-3B



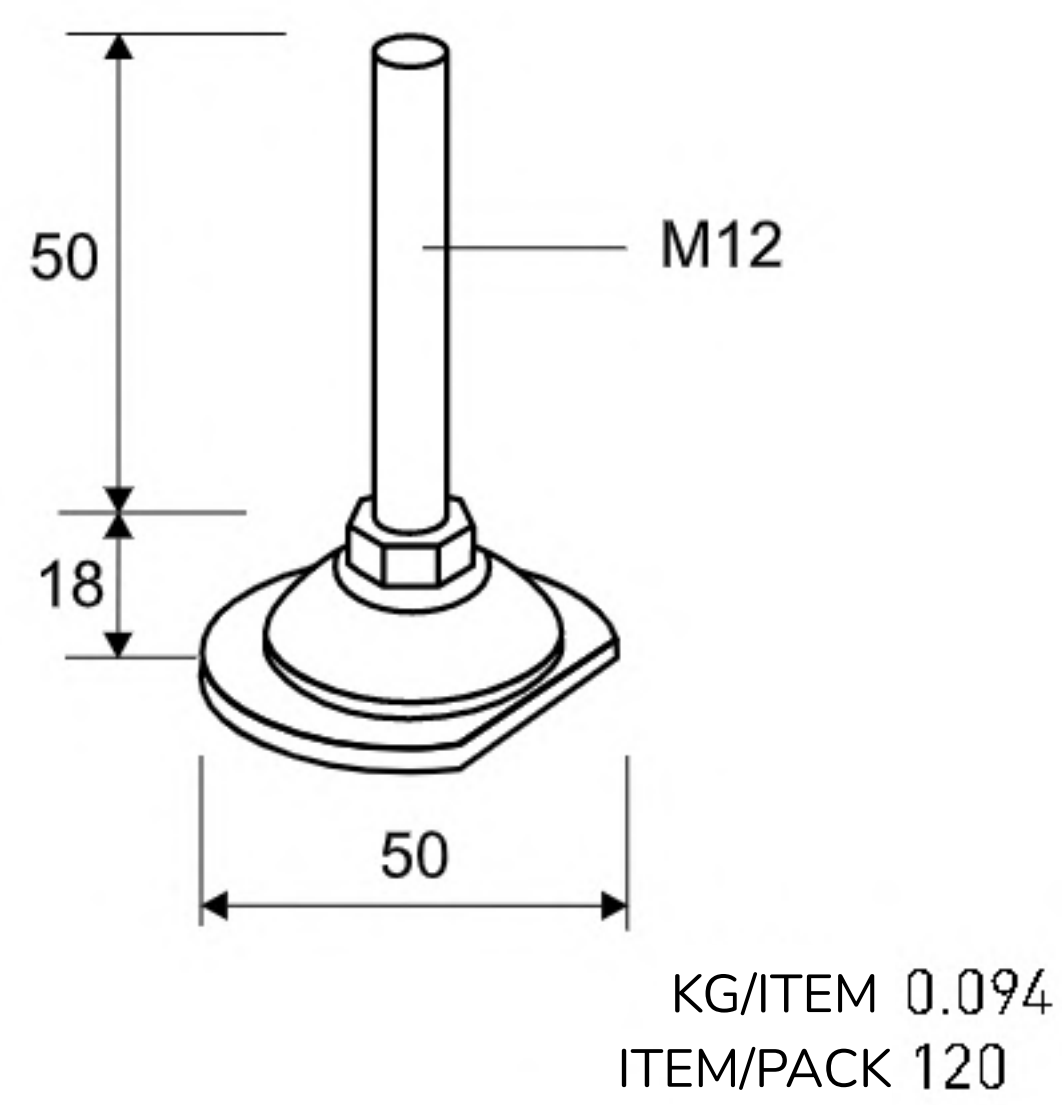
L-3C



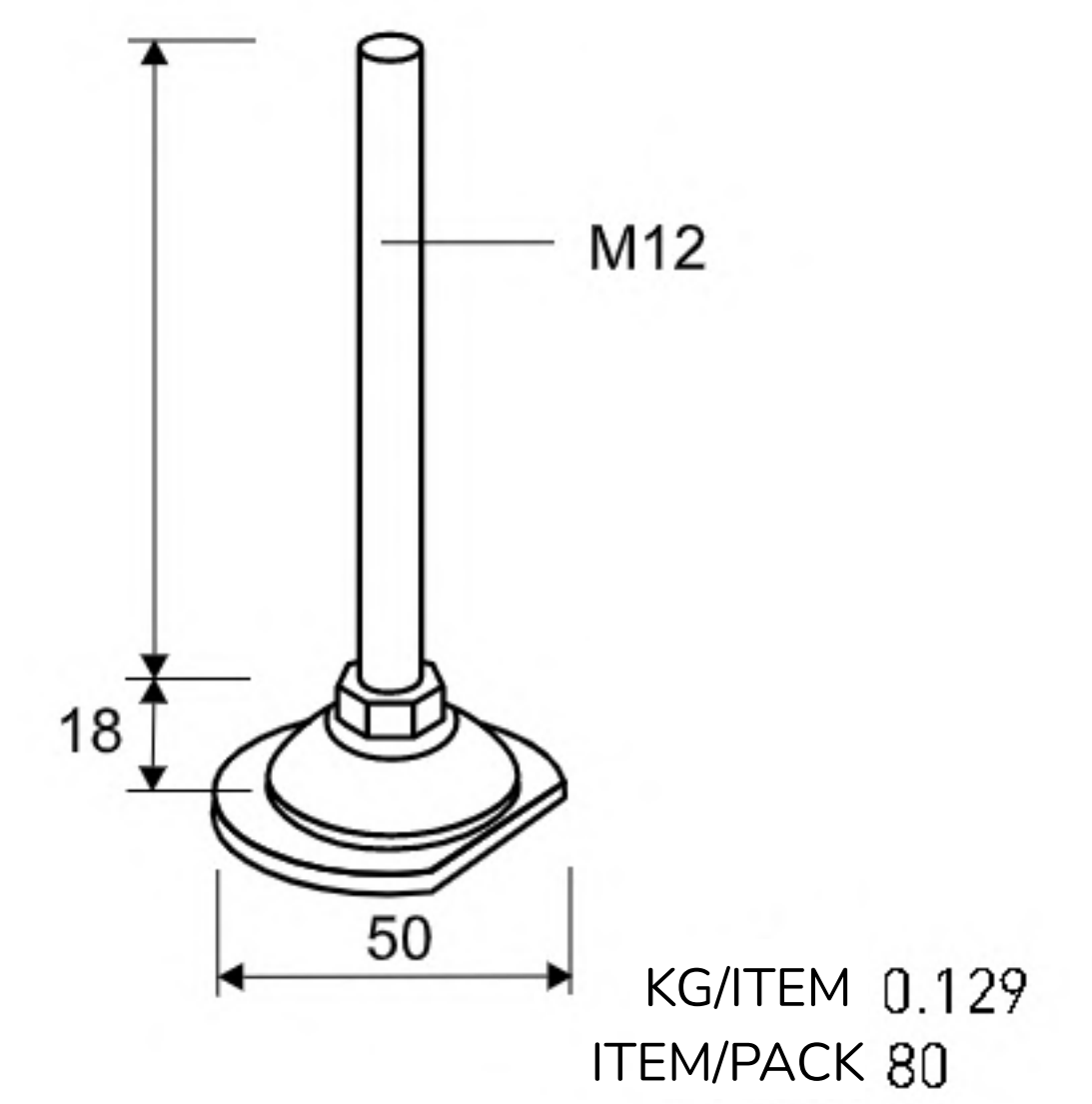
L-3D



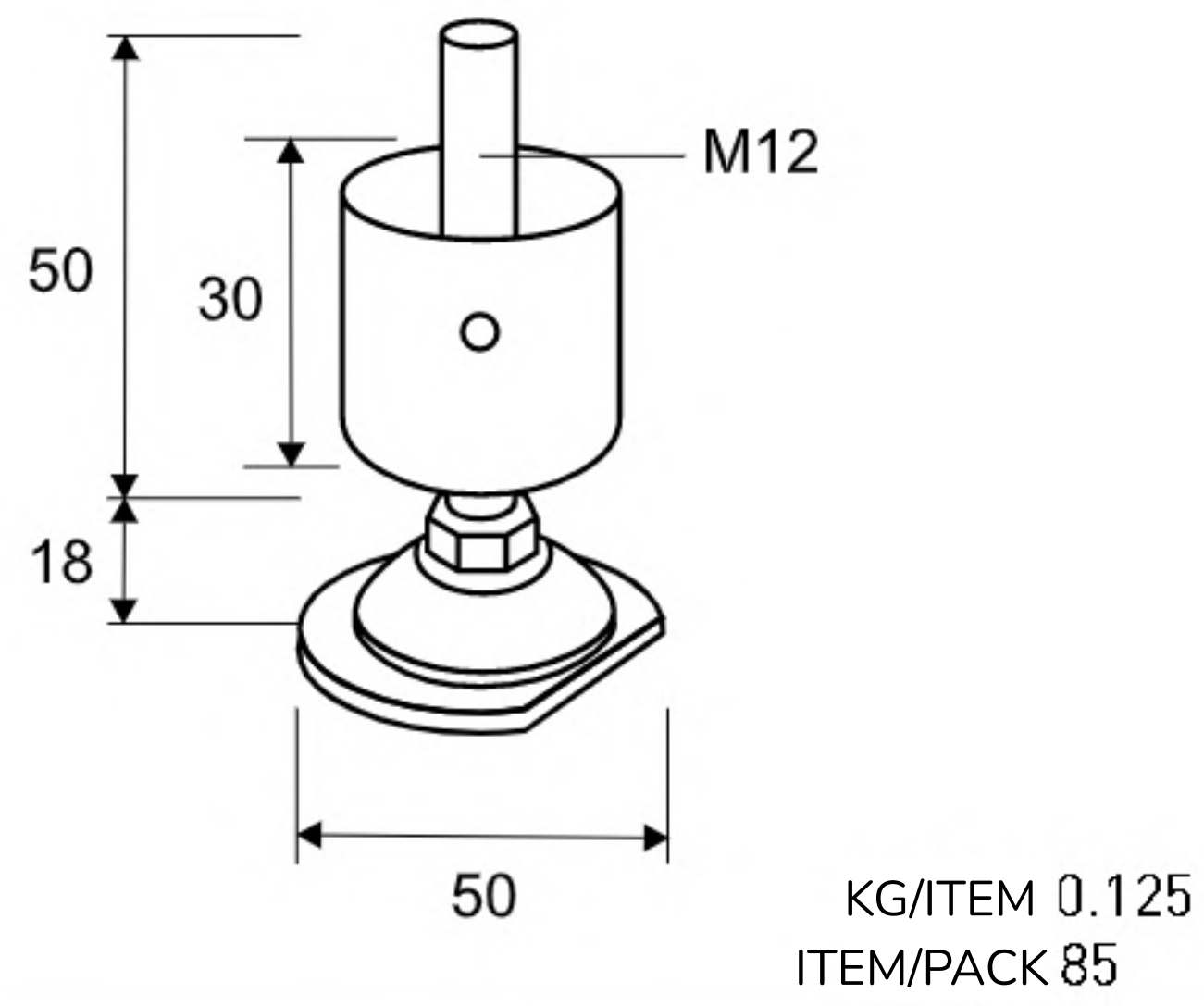
L-4



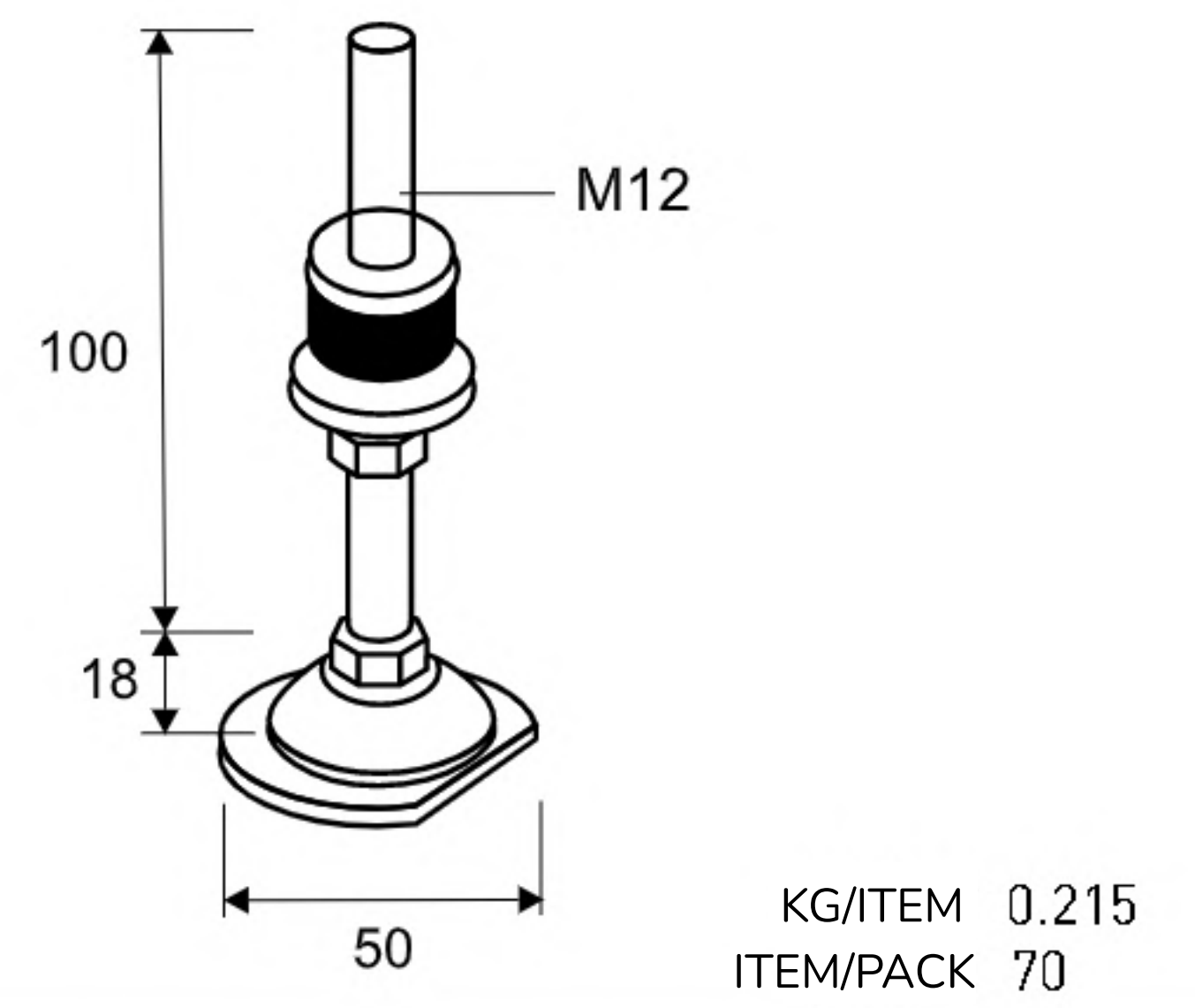
L-4A



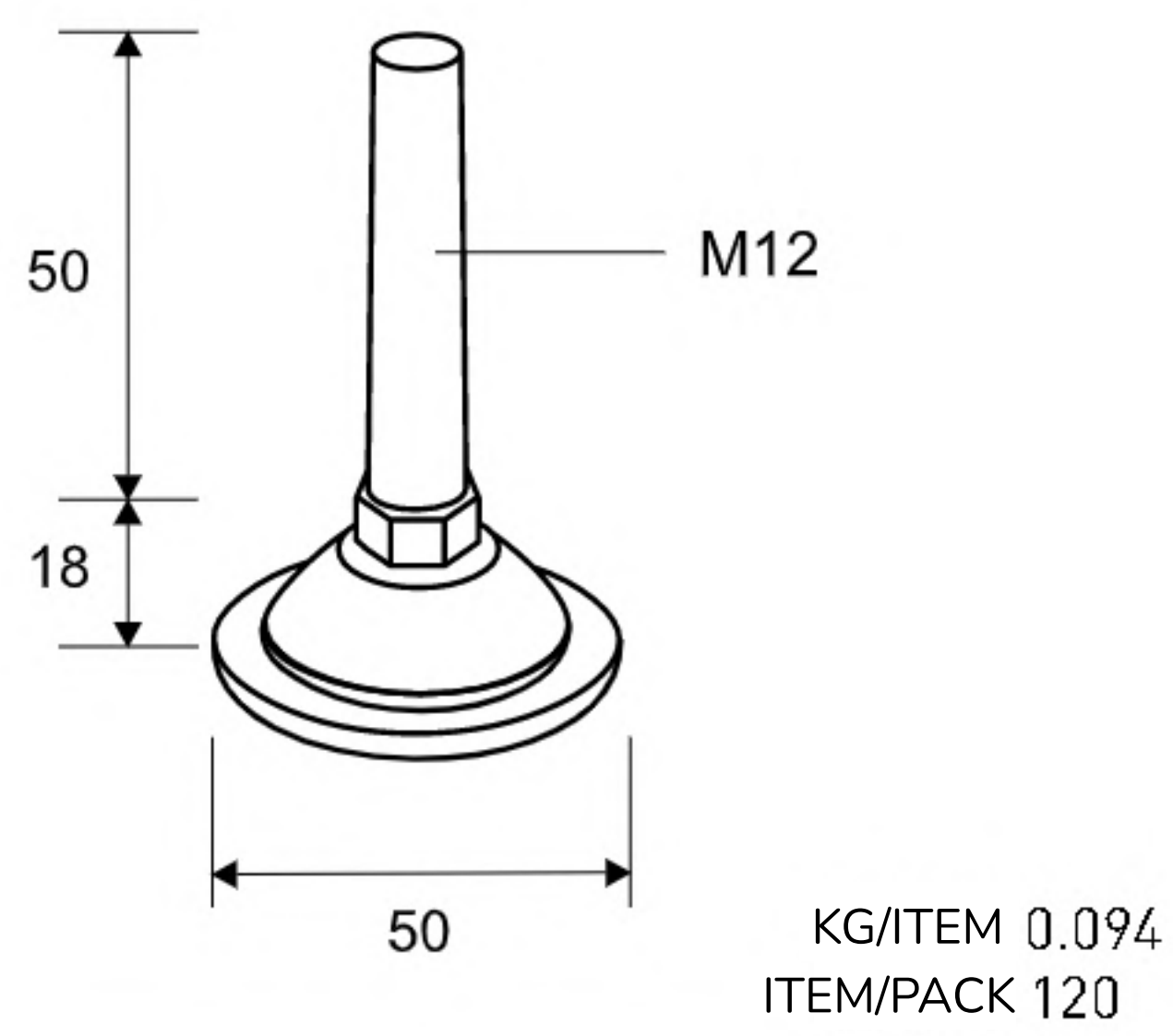
L-4B



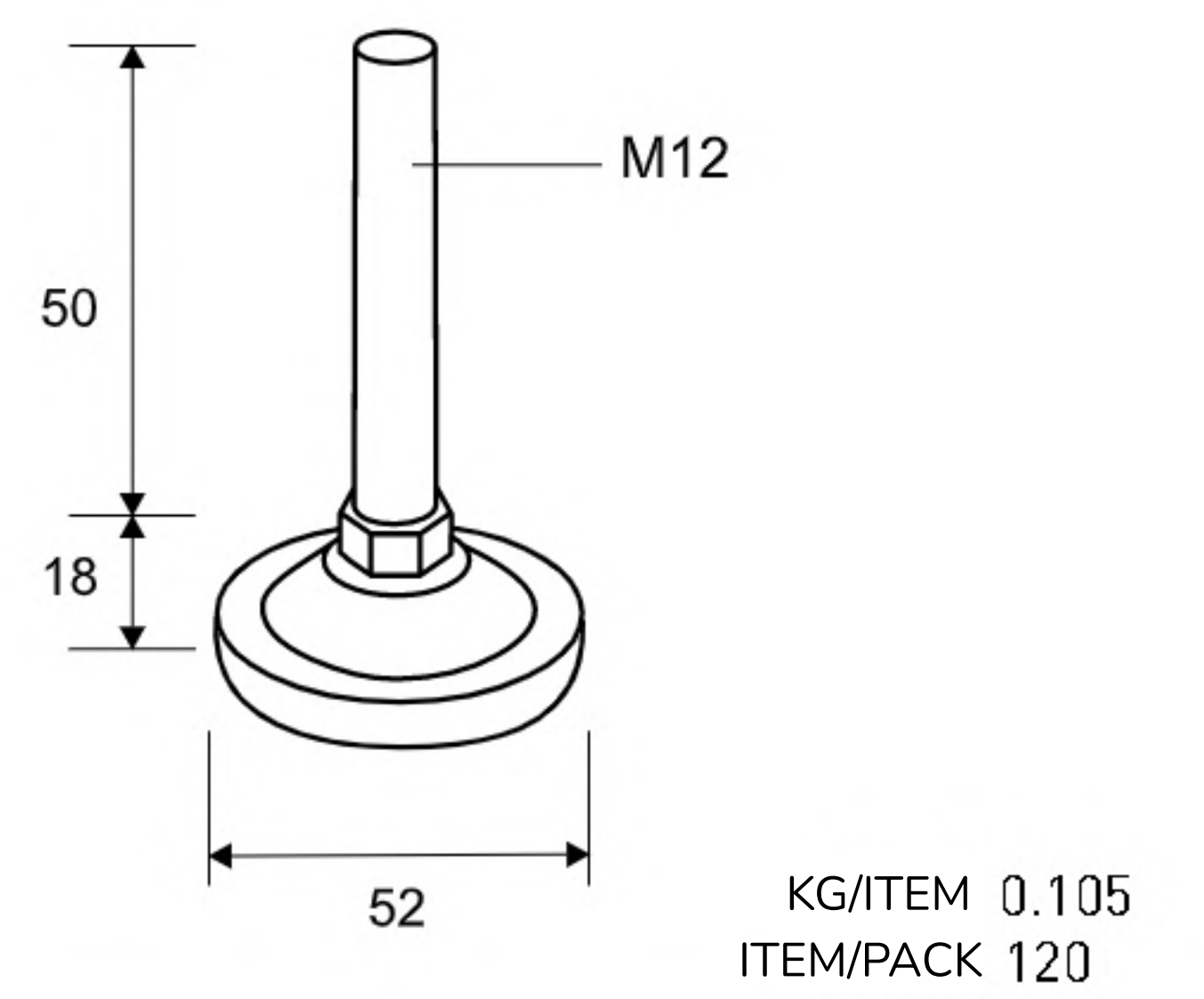
L-4C



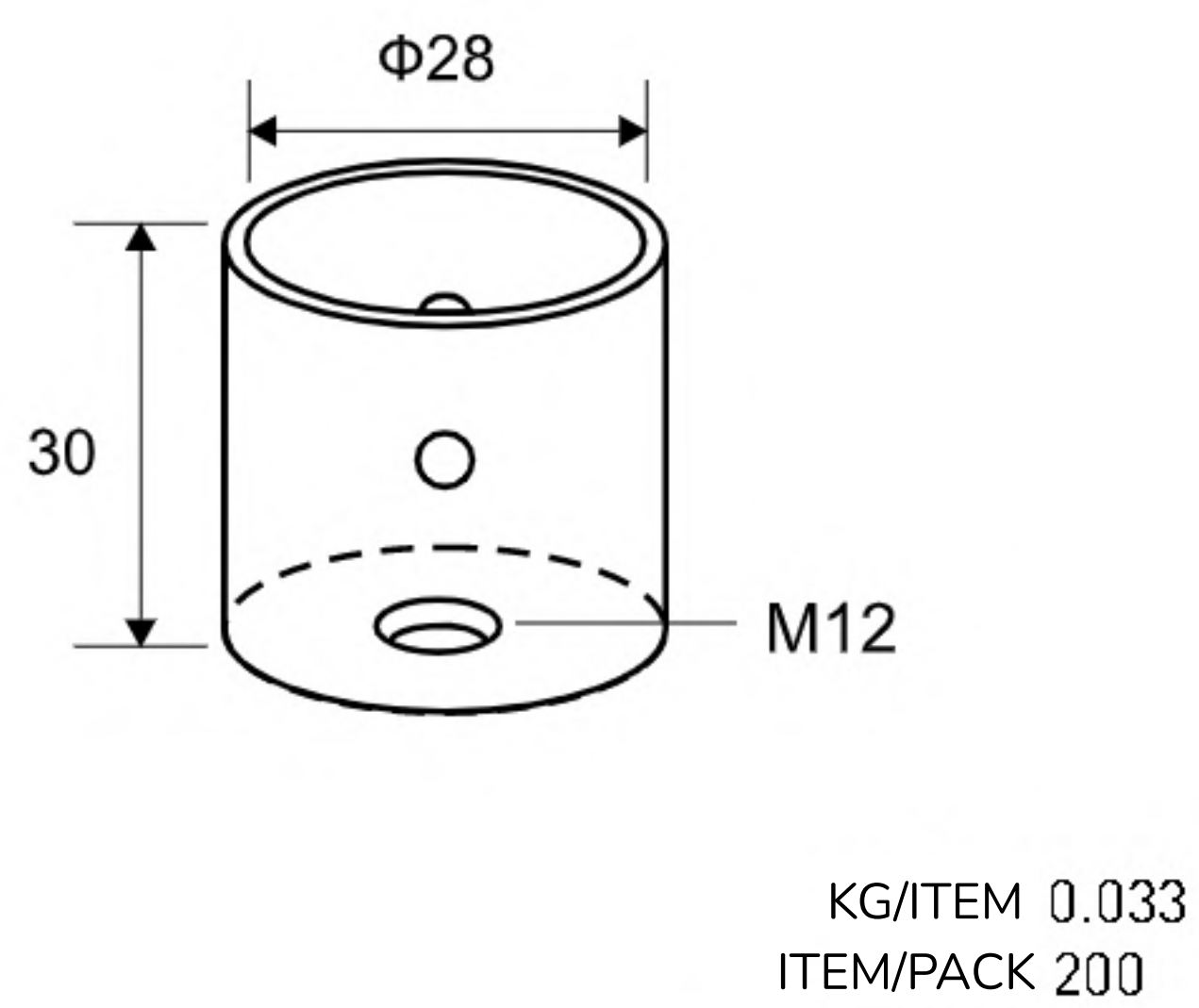
L-4D



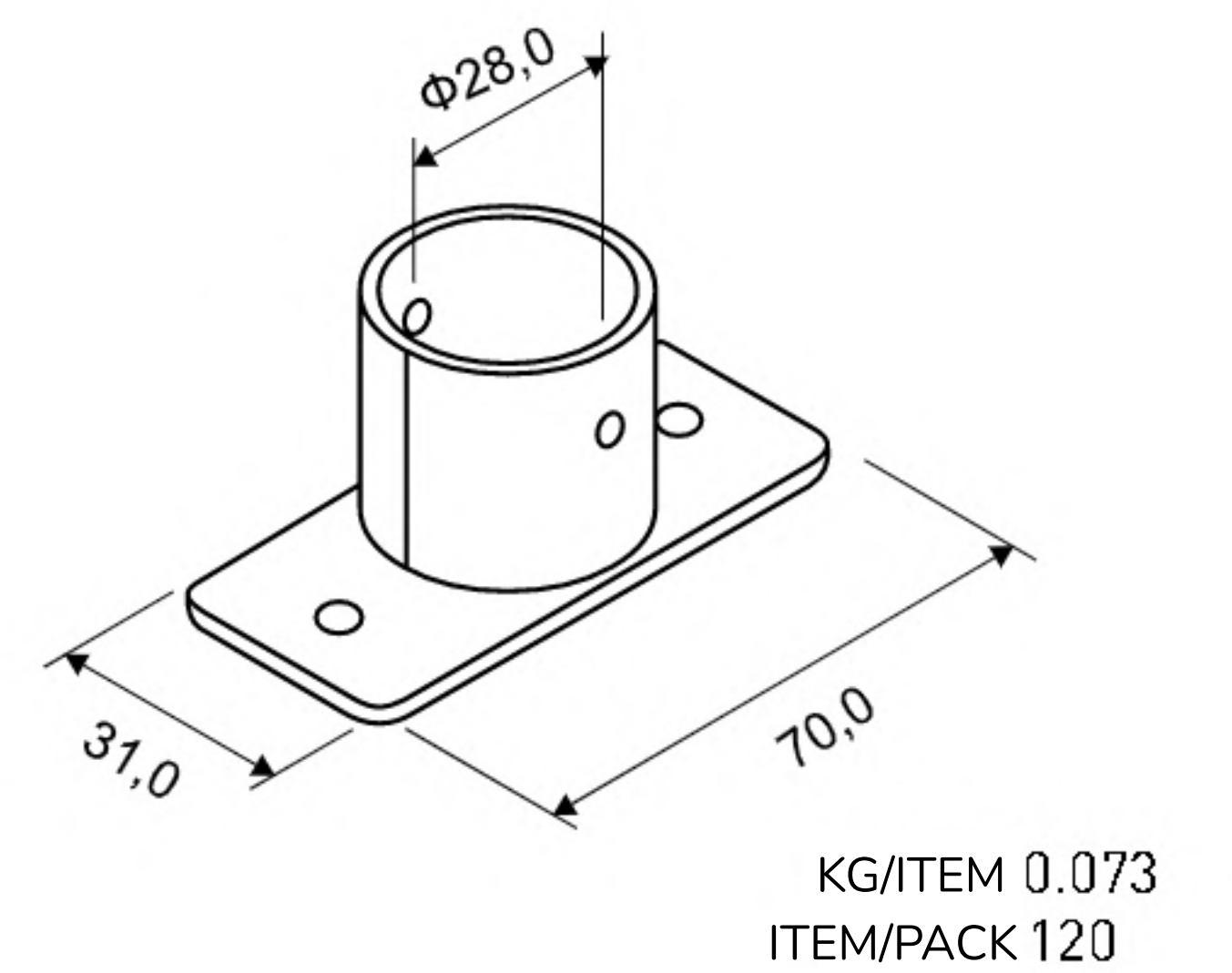
L-4E



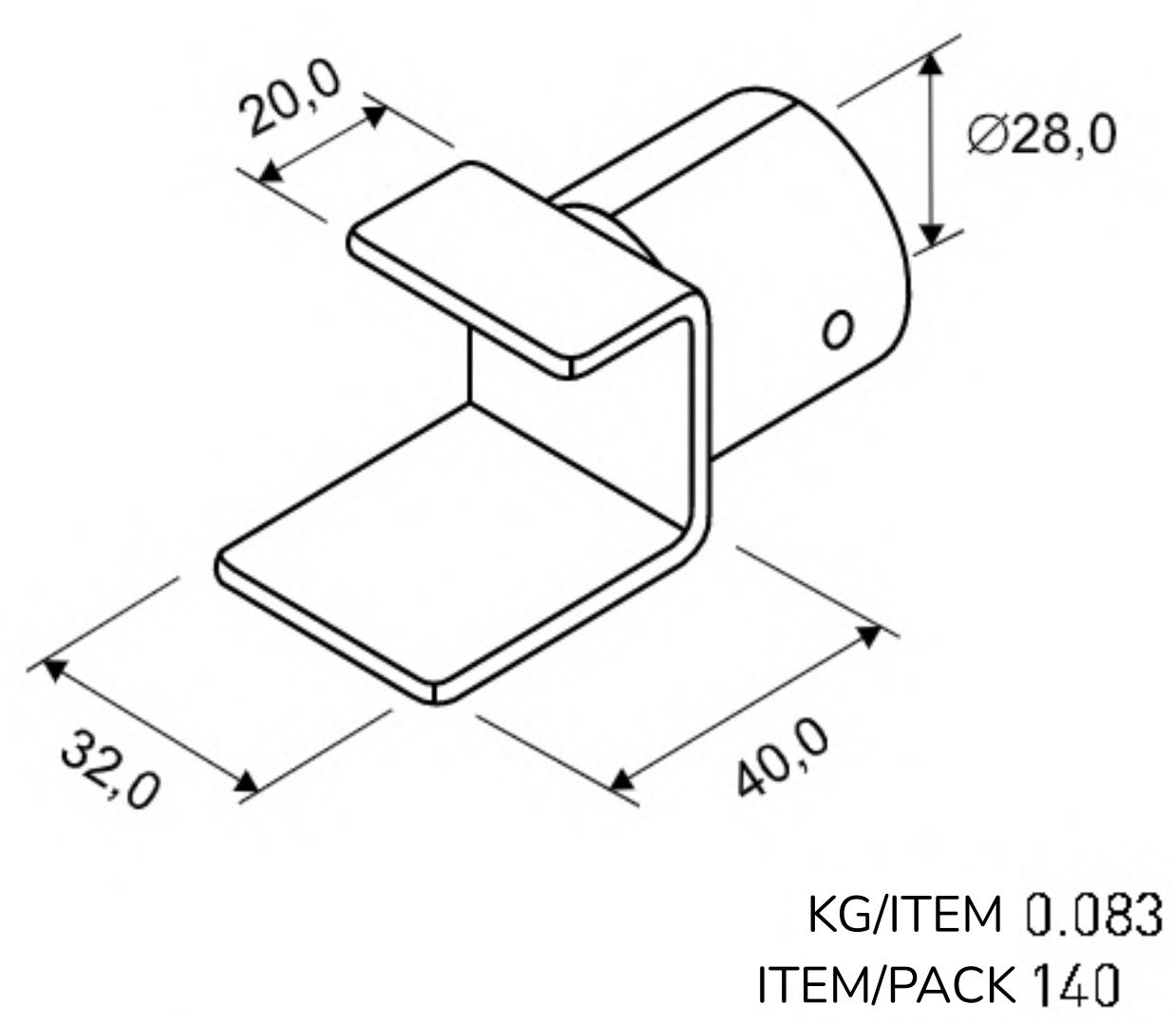
L-5



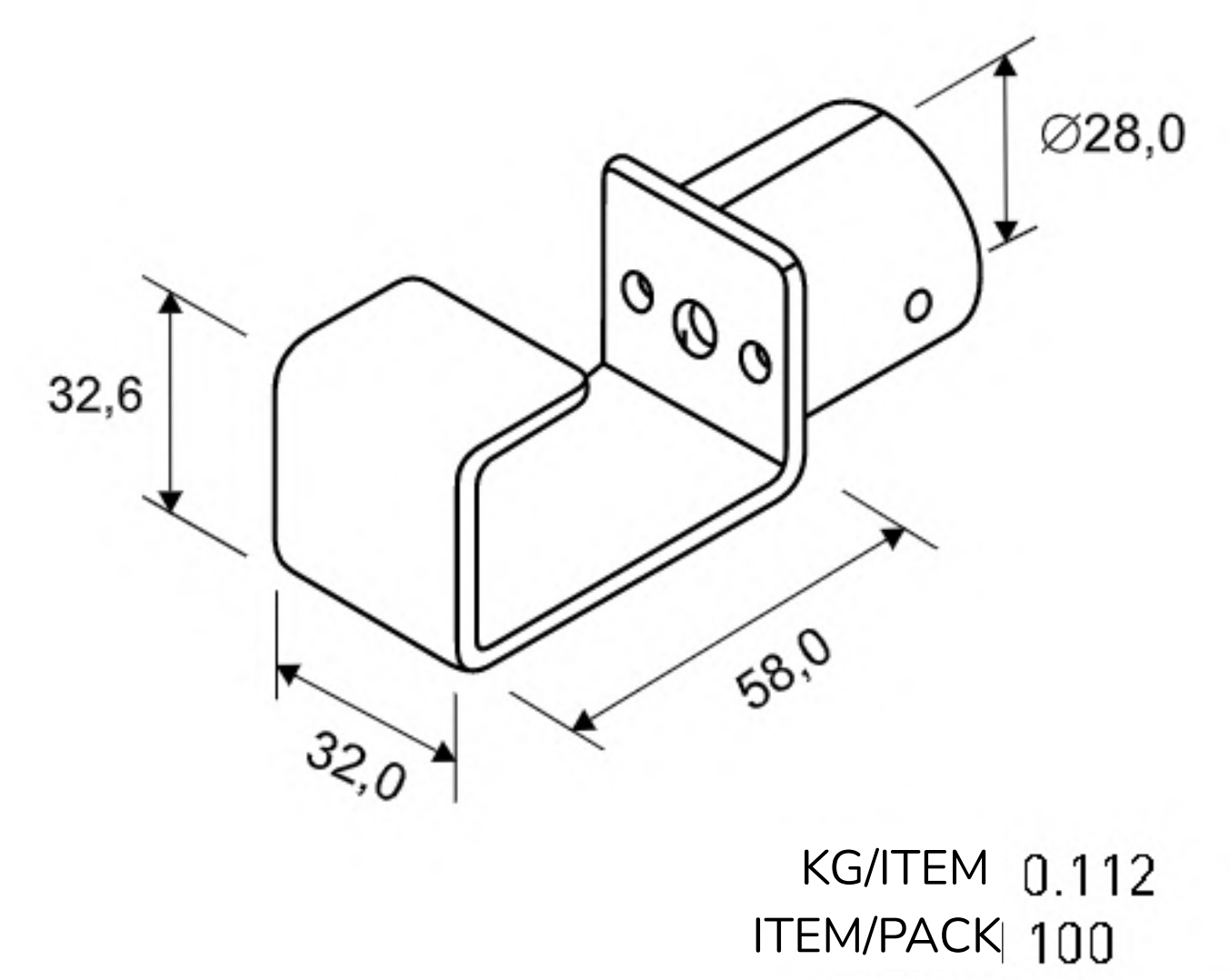
L-6



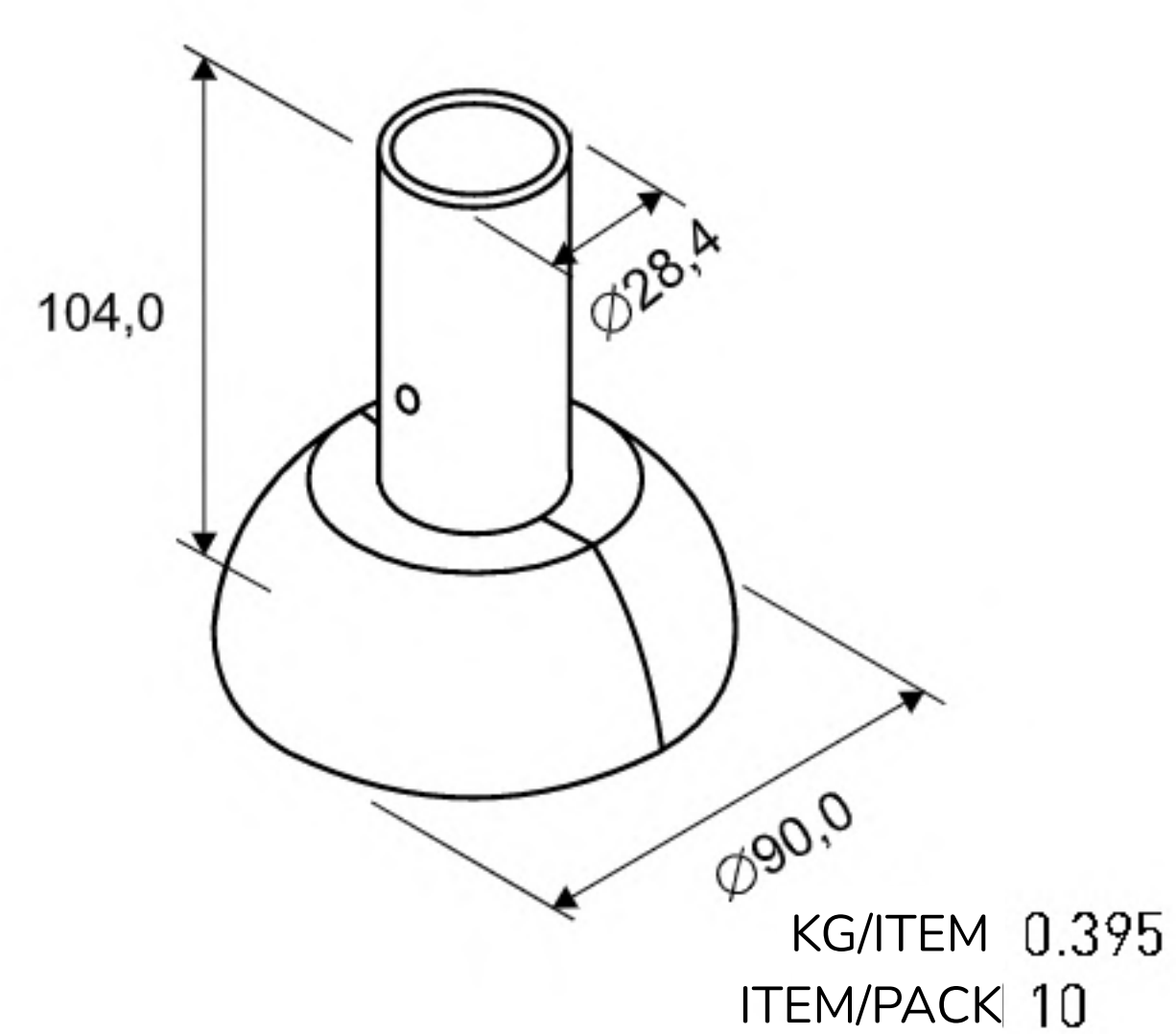
L-6A



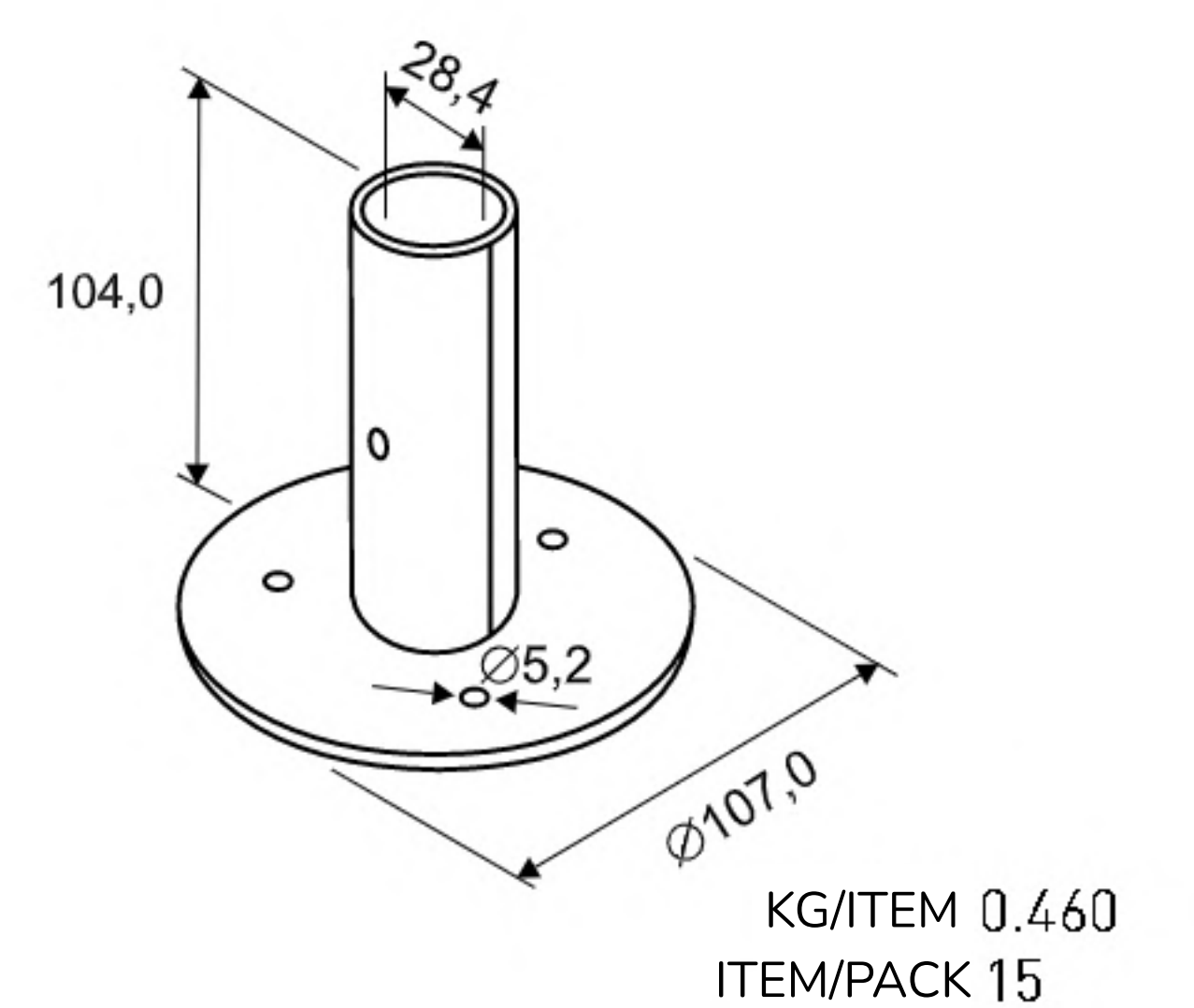
L-6B



L-7



L-8



N SERIES


FASTENERS



FASTENERS


N-1

CODE	DESCR.	COVERING	KG/ITEM	ITEM/PACK
N-1M6BZ-L	NUT	BZ	0.002	5400
N-1M6WZ-L		WZ		




N-2

CODE	DESCR.	COVERING	KG/ITEM	ITEM/PACK
N-2M625BZ	BOLT M6	BZ	0.007	2700
N-2M625WZ		WZ		
N-2M625SS	BOLT SS	SS		
N-2M612BZ	BOLT	BZ	0.005	4000
N-2M612WZ		WZ		




N-3

CODE	DESCR.	COVERING	KG/ITEM	ITEM/PACK
N-3M840WZ-N	BOLT	WZ	0.017	1200




N-6 (SELF-LOCKING NUT)

CODE	DESCR.	COVERING	KG/ITEM	ITEM/PACK
N-6M8WZ-N	NUT	WZ	0.002	8000




N-8

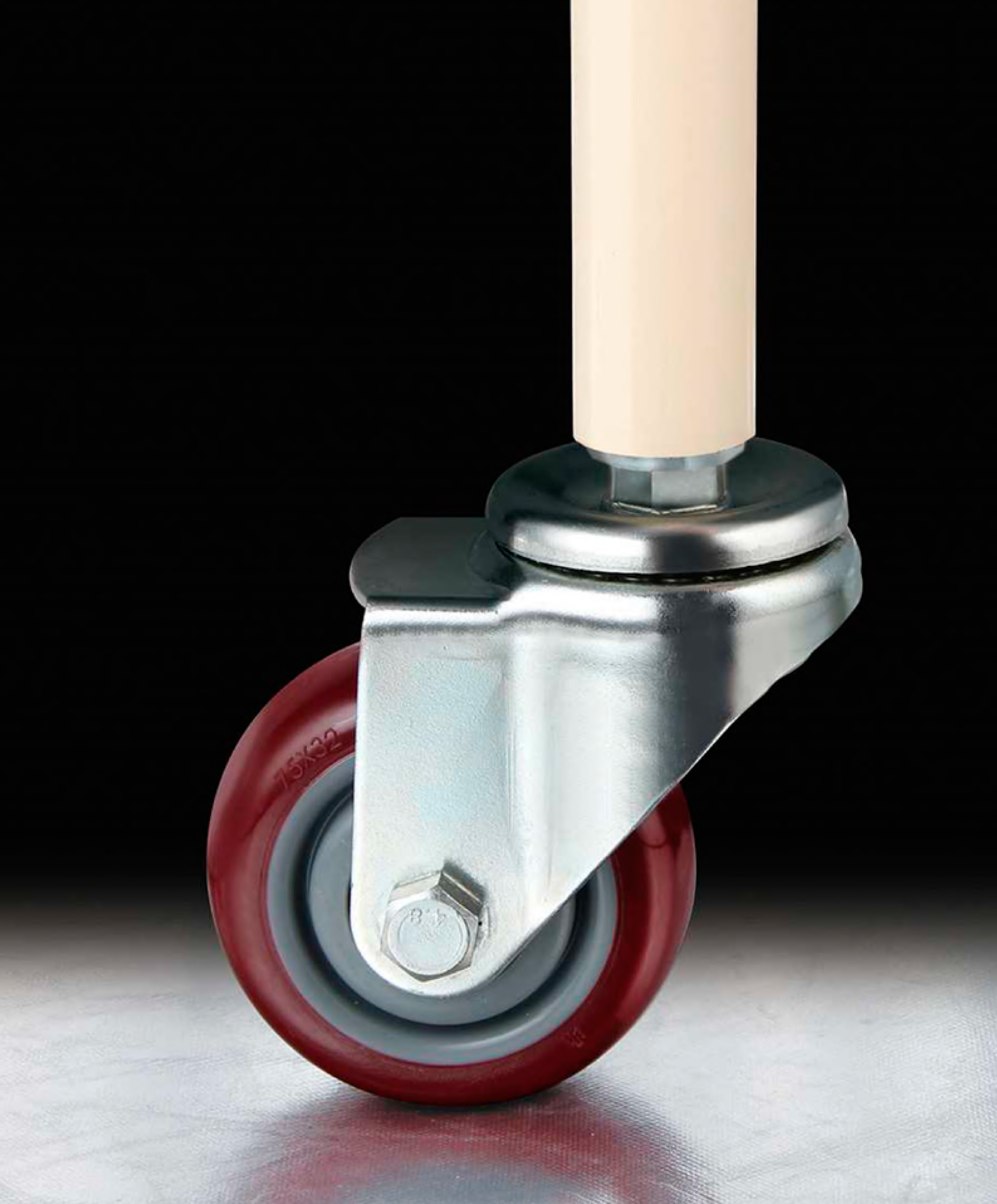
CODE	CLASSIFICATION	PIPES COMPATIBLE	KG/ITEM	ITEM/PACK	OUTER Ø INSERT
N-8CP10M10WZ-L	PIPES, COATED WITH PLASTIC	Ø28 X T0.9	0.075	350	Ø23.8
N-8CP10M12WZ-L		Ø28 X T0.9			Ø23.8
N-8CP12M12WZ-L		Ø28 X T1.1			Ø23.4
N-8SUS08M12WZ-L	STAINLESS STAINLESS PIPES BECOME	Ø28 X T0.7	0.084	320	Ø26.4
N-8SUS10M10WZ-L		Ø28 X T0.9			Ø26.0
N-8SUS10M12WZ-L		Ø28 X T0.9			Ø26.0
N-8SUS12M10WZ-L		Ø28 X T1.1			Ø25.6
N-8SUS12M12WZ-L		Ø28 X T1.1			Ø25.6



N-8A

CODE	CLASSIFICATION	PIPES COMPATIBLE	KG/ITEM	ITEM/PACK	OUTER Ø INSERT
N-8ACP10M10WZ-L	PIPES, COATED WITH PLASTIC	Ø28 X T0.9	0.075	350	Ø23.8
N-8ACP10M12WZ-L		Ø28 X T0.9			Ø23.8
N-8ACP12M12WZ-L		Ø28 X T1.1			Ø23.4
N-8ASUS08M12WZ-L	STAINLESS STAINLESS PIPES BECOME	Ø28 X T0.7	0.084	320	Ø26.4
N-8ASUS10M10WZ-L		Ø28 X T0.9			Ø26.0
N-8ASUS10M12WZ-L		Ø28 X T0.9			Ø26.0
N-8ASUS12M10WZ-L		Ø28 X T1.1			Ø25.6
N-8ASUS12M12WZ-L		Ø28 X T1.1			Ø25.6




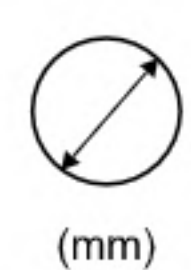
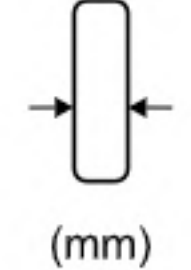

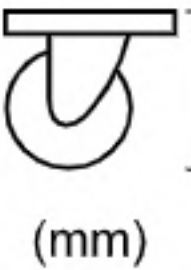
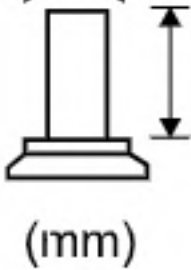


C SERIES


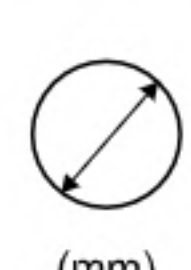
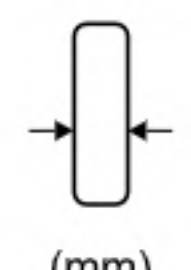
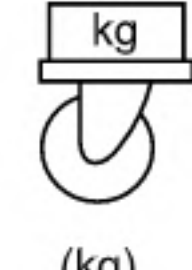
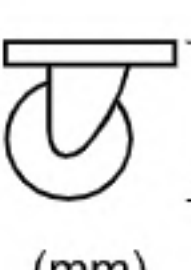
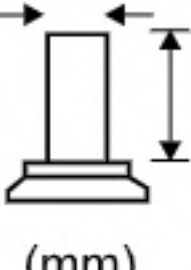
WHEELS AND STOPPERS

WHEELS AND STOPERS


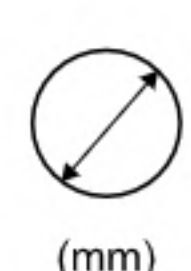
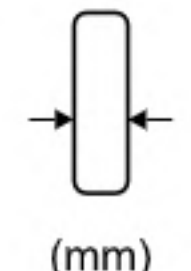

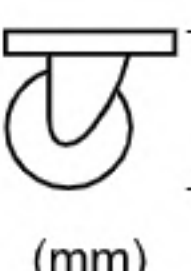
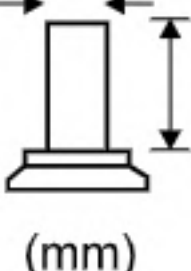
C-1

			CODE	 (mm)	MATERIAL	 (mm)	 (kg)	 (mm)	 (mm)
PP	PU	TPR	C-1PU50R	50	PU	22	30	69	M12 X 15
			C-1TPR50G		TPR				
PP	PU	TPR	C-1PP65W	65	PP	27	40	85	M12 X 15
			C-1PU65R		PU				
PP	PU	TPR	C-1TPR65G	65	TPR	27	50	96	M12 X 15
			C-1PP75W		PP				
PP	PU	TPR	C-1PU75R	75	PU	27	50	96	M12 X 15
			C-1TPR75G		TPR				


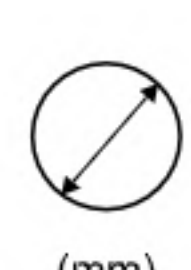
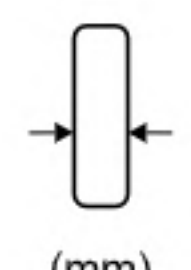
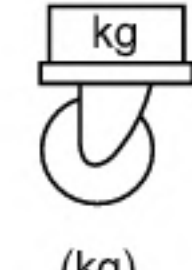
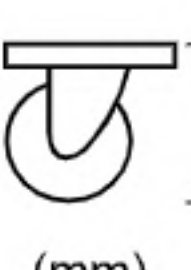
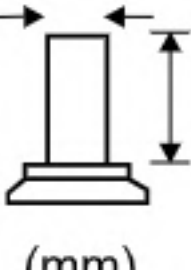
C-2

			CODE	 (mm)	MATERIAL	 (mm)	 (kg)	 (mm)	 (mm)
PP	PU	TPR	C-2PU50R	50	PU	22	30	69	M12 X 15
			C-2TPR50G		TPR				
PP	PU	TPR	C-2PP65W	65	PP	27	40	85	M12 X 15
			C-2PU65R		PU				
PP	PU	TPR	C-2TPR65G	65	TPR	27	50	96	M12 X 15
			C-2PP75W		PP				
PP	PU	TPR	C-2PU75R	75	PU	27	50	96	M12 X 15
			C-2TPR75G		TPR				


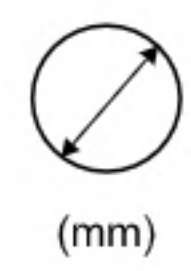
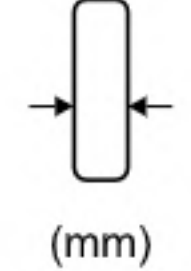
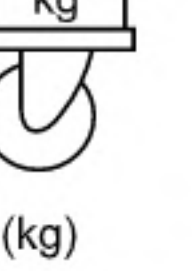
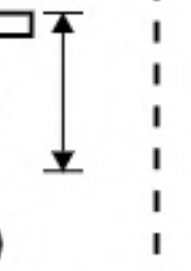
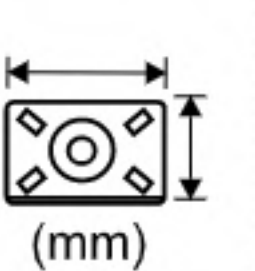
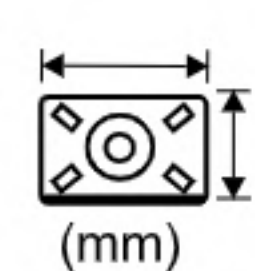
C-3

			CODE	 (mm)	MATERIAL	 (mm)	 (kg)	 (mm)	 (mm)
PU	TPR	ESD	C-3PU75RM12	75	PU	32	100	104	M12 X 60
			C-3TPR75GM12		TPR				
PU	TPR	ESD	C-3ESD75BM12	75	ESD	32	100	104	M12 X 60
			C-3PU100RM12		PU				
PU	TPR	ESD	C-3TPR100GM12	100	TPR	32	130	130	M12 X 60
			C-3ESD100BM12		ESD				

C-4




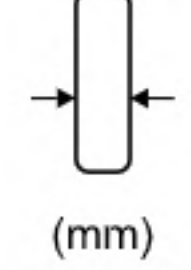

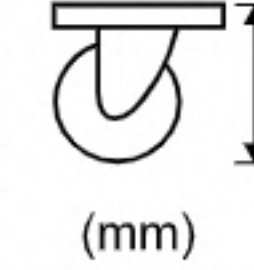
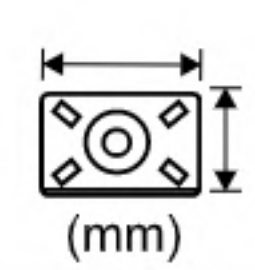
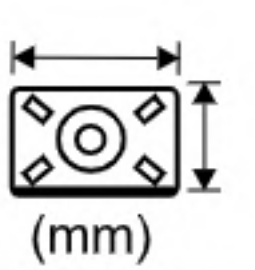
			CODE	 (mm)	MATERIAL	 (mm)	 (kg)	 (mm)	 (mm)
PU	TPR	ESD	C-4PU75RM12	75	PU	32	100	104	M12 X 60
			C-4TPR75GM12		TPR				
PU	TPR	ESD	C-4ESD75BM12	75	ESD	32	100	104	M12 X 60
			C-4PU100RM12		PU				
PU	TPR	ESD	C-4TPR100GM12	100	TPR	32	130	130	M12 X 60
			C-4ESD100BM12		ESD				

C-5



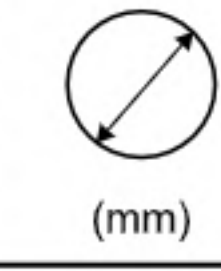
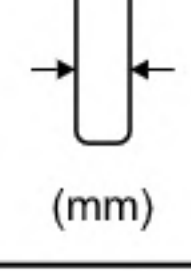
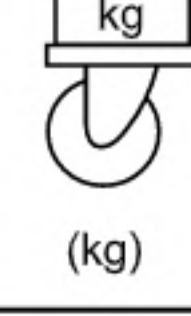
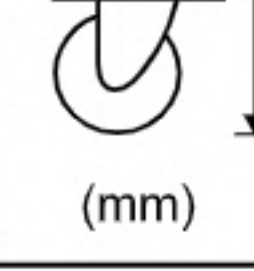
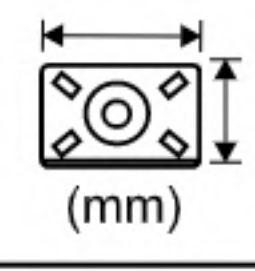
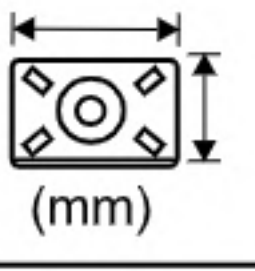
		CODE	 (mm)	MATERIAL	 (mm)	 (kg)	 (mm)	 (mm)	 (mm)
PU	TPR	C-5PU75R	75	PU	32	100	103	95 X 67	73 X 45
		C-5TPR75G		TPR					
PU	TPR	C-5PU100R	100	PU	32	130	128	95 X 67	73 X 45
		C-5TPR100G		TPR					
PU	TPR	C-5PU125R	125	PU	32	140	157	95 X 67	73 X 45
		C-5TPR125G		TPR					

WHEELS AND STOPERS




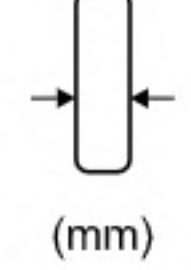

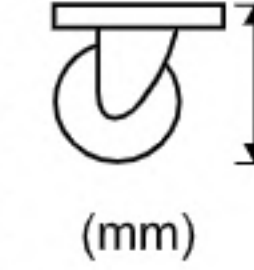
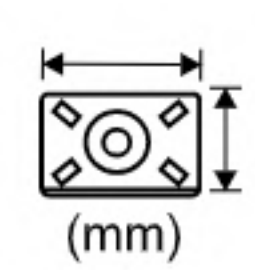
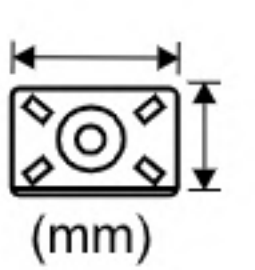
C-6

		CODE	 (mm)	MATERIAL	 (mm)	 (kg)	 (mm)	 (mm)	 (mm)
		C-6PU75R	75	PU	32	100	103	95 X 67	73 X 45
		C-6TPR75G		TPR					
		C-6PU100R	100	PU	32	130	128	95 X 67	73 X 45
		C-6TPR100G		TPR					
		C-6PU125R	125	PU	32	140	157	95 X 67	73 X 45
		C-6TPR125G		TPR					



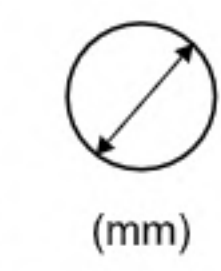
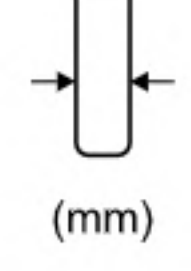
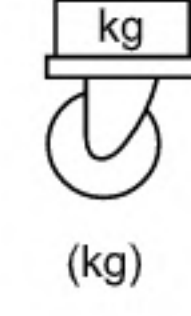
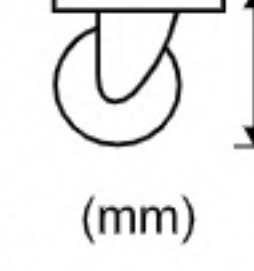
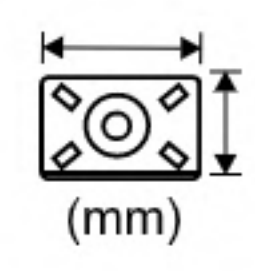
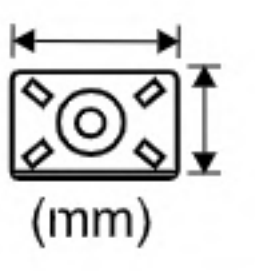
C-7

		CODE	 (mm)	MATERIAL	 (mm)	 (kg)	 (mm)	 (mm)	 (mm)
		C-7PU75R	75	PU	32	100	103	95 X 67	73 X 45
		C-7TPR75G		TPR					
		C-7PU100R	100	PU	32	130	128	95 X 67	73 X 45
		C-7TPR100G		TPR					
		C-7PU125R	125	PU	32	140	157	95 X 67	73 X 45
		C-7TPR125G		TPR					



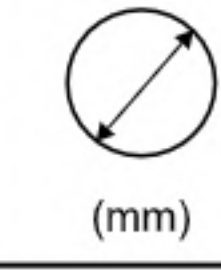
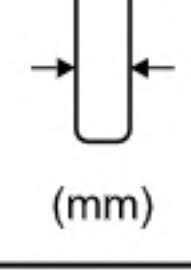
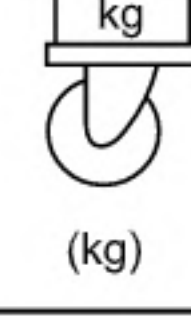
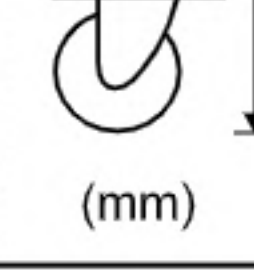
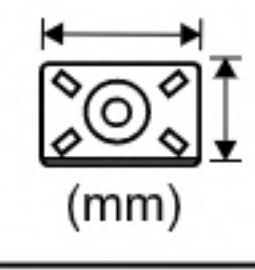
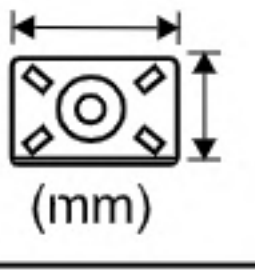
C-8

		CODE	 (mm)	MATERIAL	 (mm)	 (kg)	 (mm)	 (mm)	 (mm)
		C-8PU100R	100	PU	50	290	143	114 X 100	73 X 45
		C-8TPR100G		TPR					
		C-8PU125R	125	PU	50	360	165	114 X 100	73 X 45
		C-8TPR125G		TPR					
		C-8PU150R	150	PU	50	420	190	114 X 100	73 X 45
		C-8TPR150G		TPR					

C-9


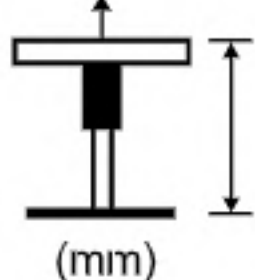
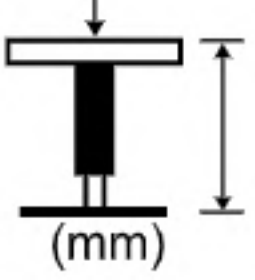

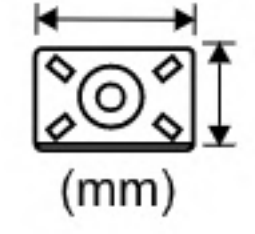
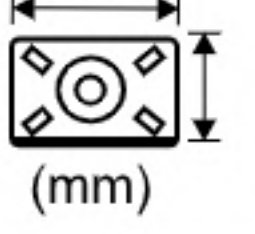
		CODE	 (mm)	MATERIAL	 (mm)	 (kg)	 (mm)	 (mm)	 (mm)
		C-9PU100R	100	PU	50	290	143	114 X 100	73 X 45
		C-9TPR100G		TPR					
		C-9PU125R	125	PU	50	360	165	114 X 100	73 X 45
		C-9TPR125G		TPR					
		C-9PU150R	150	PU	50	420	190	114 X 100	73 X 45
		C-9TPR150G		TPR					

C-10

		CODE	 (mm)	MATERIAL	 (mm)	 (kg)	 (mm)	 (mm)	 (mm)
		C-10PU100R	100	PU	50	290	143	114 X 100	73 X 45
		C-10TPR100G		TPR					
		C-10PU125R	125	PU	50	360	165	114 X 100	73 X 45
		C-10TPR125G		TPR					
		C-10PU150R	150	PU	50	420	190	114 X 100	73 X 45
		C-10TPR150G		TPR					

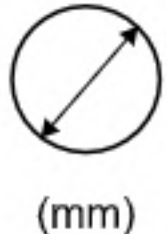
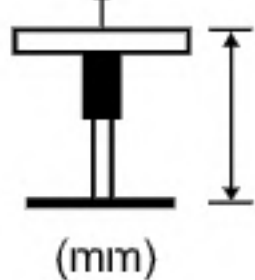
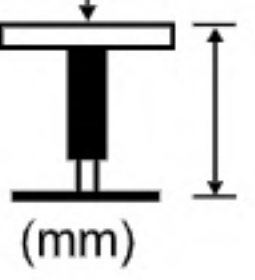
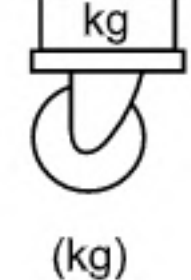
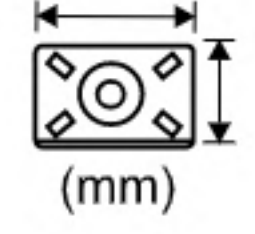
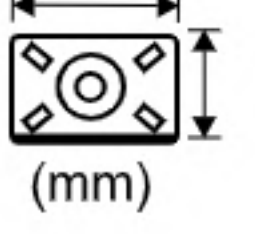
C-11



CODE	 (mm)	 (mm)	 (mm)	 (kg)	 (mm)	 (mm)
C-11US100WZ	100	143	121	300	114 X 100	84 X 71
C-11US125WZ	125	171,5	145,5	350	114 X 100	84 X 71
C-11US150WZ	150	194	168	400	114 X 100	84 X 71

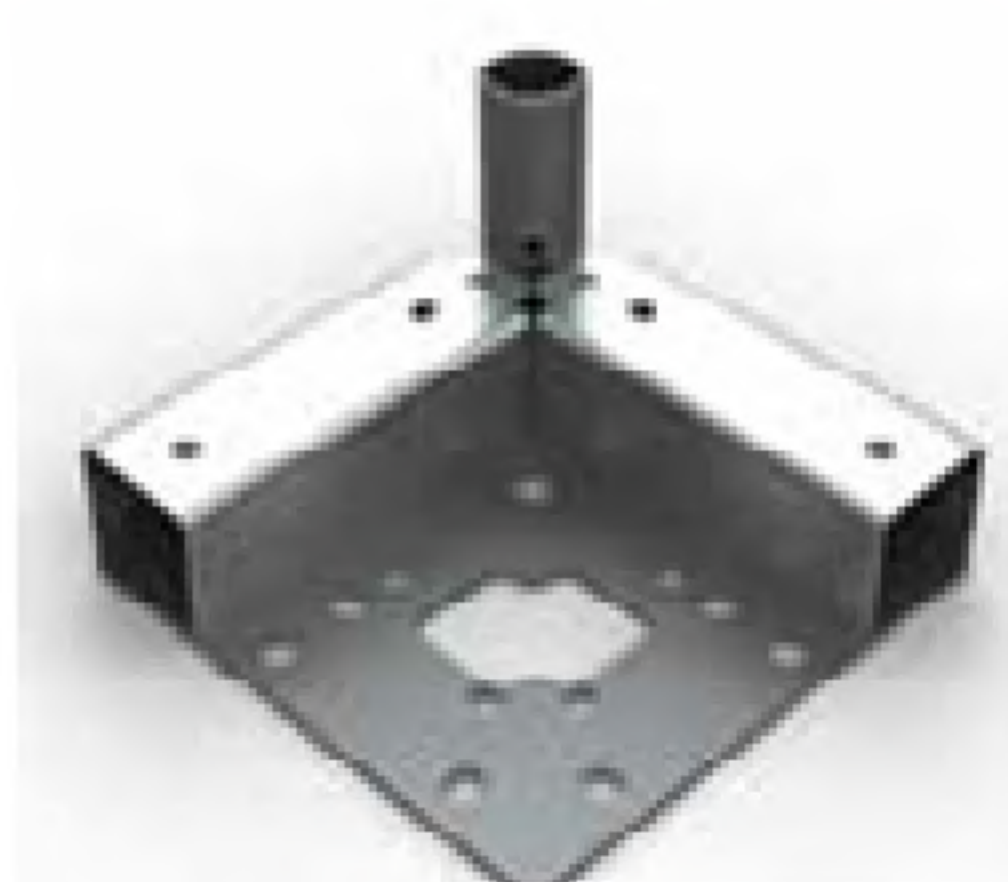
C-12



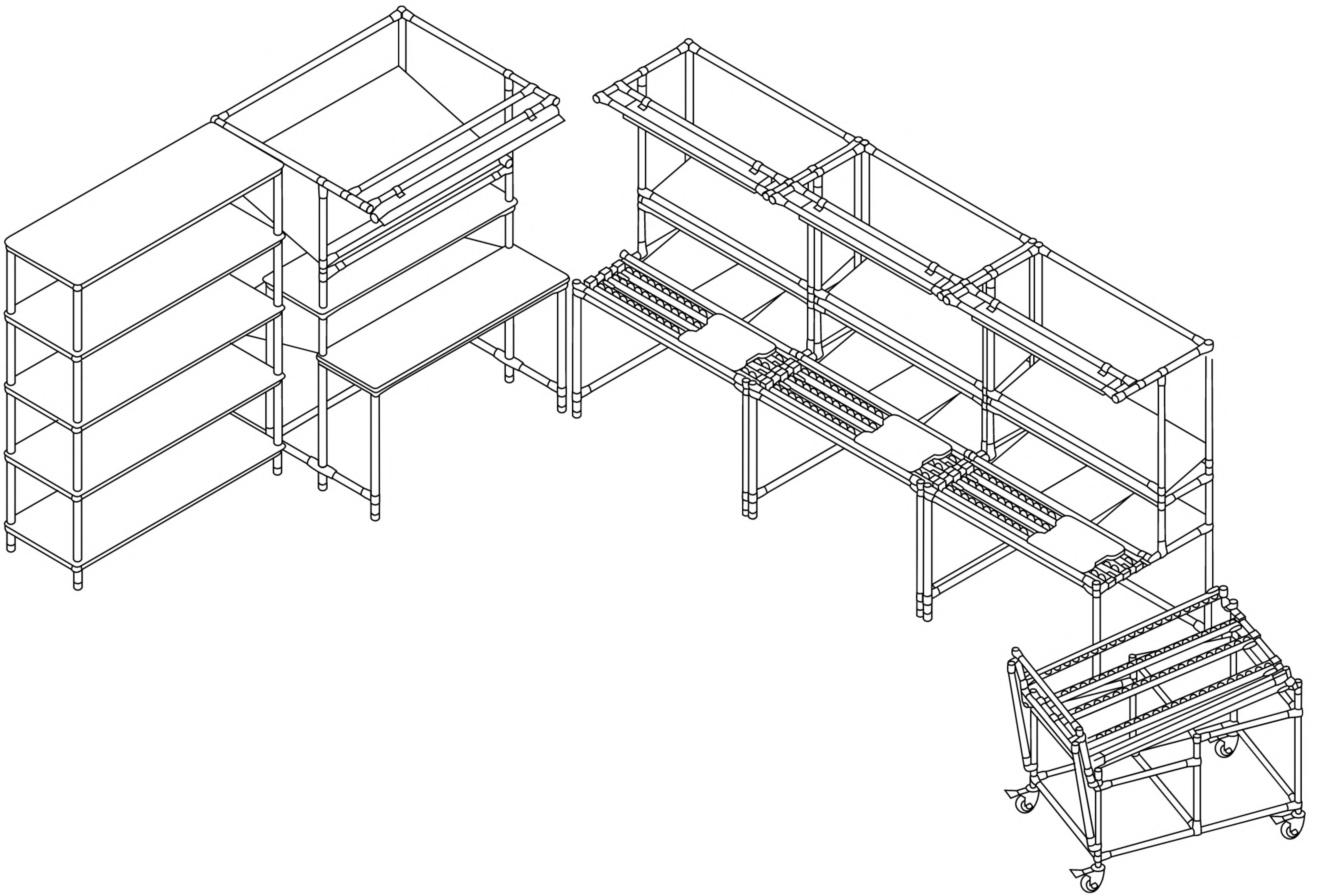
CODE	 (mm)	 (mm)	 (mm)	 (kg)	 (mm)	 (mm)
C-12JP100WZ	100	147	107	300	114 X 100	84 X 71
C-12JP150WZ	150	207	167	400	114 X 100	84 X 71

Additional components for the organization of production road trains:

- POWER RACKS
- CORNER JOINTS
- DRAWER
- TOWING CLIPS



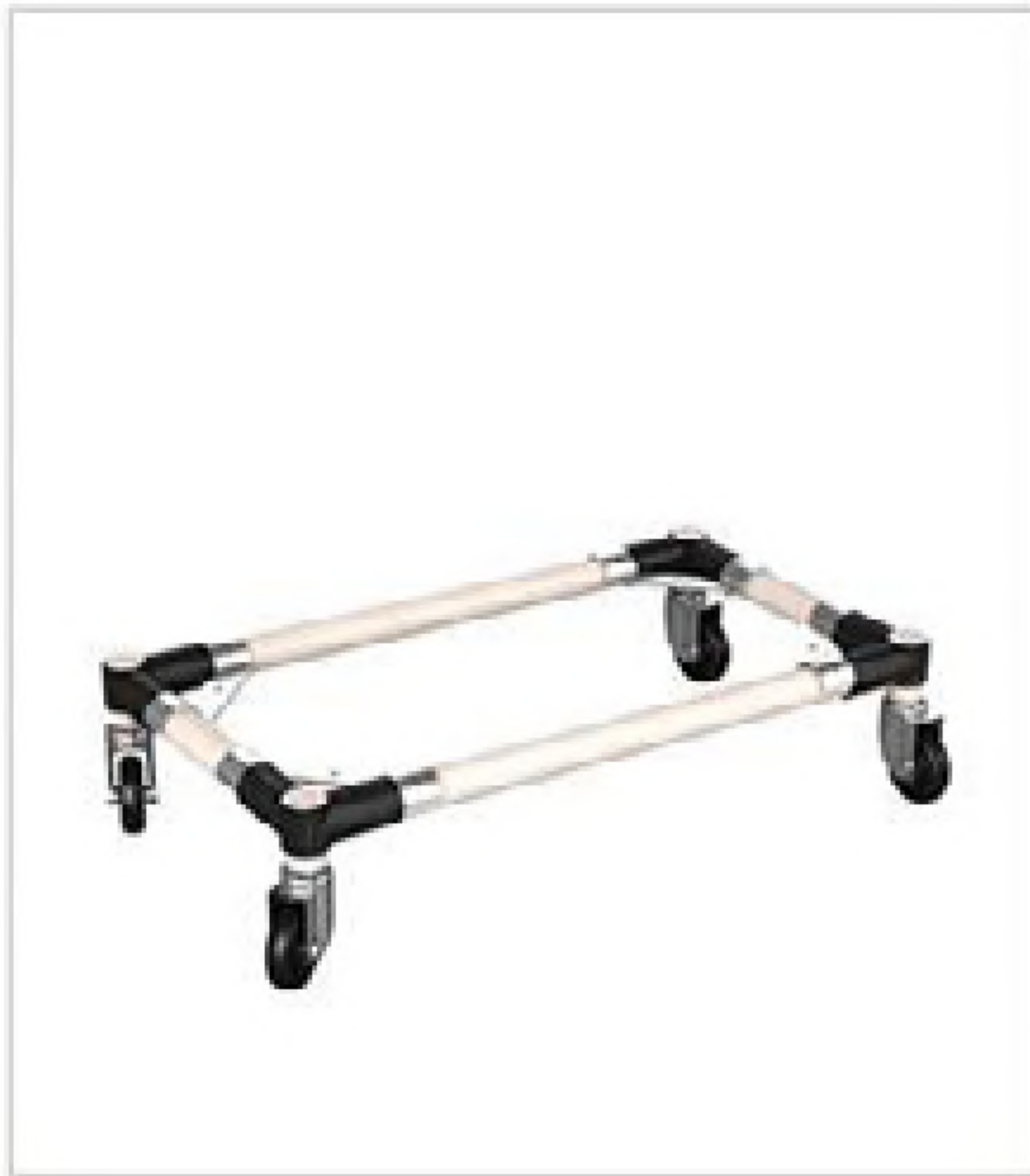
EXAMPLES



Work Tables



Logistic Carts



Shelving



Assembly Areas



Code	pp.	Section	Code	pp.	Section
C-1	47	C-WHEELS AND STOPERS	F-3A	37	F-METAL ACCESSORIES
C-10	48	C-WHEELS AND STOPERS	F-3B	37	F-METAL ACCESSORIES
C-11	49	C-WHEELS AND STOPERS	F-3C	37	F-METAL ACCESSORIES
C-12	49	C-WHEELS AND STOPERS	F-4	37	F-METAL ACCESSORIES
C-2	47	C-WHEELS AND STOPERS	F-4A (USED WITH F-10/F-10A/ F-21)	37	F-METAL ACCESSORIES
C-3	47	C-WHEELS AND STOPERS	F-5	37	F-METAL ACCESSORIES
C-4	47	C-WHEELS AND STOPERS	F-6	37	F-METAL ACCESSORIES
C-5	47	C-WHEELS AND STOPERS	F-7	38	F-METAL ACCESSORIES
C-6	48	C-WHEELS AND STOPERS	F-8	38	F-METAL ACCESSORIES
C-7	48	C-WHEELS AND STOPERS	F-9	38	F-METAL ACCESSORIES
C-8	48	C-WHEELS AND STOPERS	F-9A	38	F-METAL ACCESSORIES
C-9	48	C-WHEELS AND STOPERS	H-1	17	H-METAL JOINTS
F-1	37	F-METAL ACCESSORIES	H-10	18	H-METAL JOINTS
F-10 (USED WITH F-4A/ F-10A/F-21)	38	F-METAL ACCESSORIES	H-101	21	H-METAL JOINTS
F-10A (USED WITH F-4A/ F-10/F-21)	38	F-METAL ACCESSORIES	H-102	21	H-METAL JOINTS
F-10B (USED WITH F-4A/ F-10/F-21)	38	F-METAL ACCESSORIES	H-103	21	H-METAL JOINTS
F-11	38	F-METAL ACCESSORIES	H-11	18	H-METAL JOINTS
F-11A	38	F-METAL ACCESSORIES	H-110	20	H-METAL JOINTS
F-12A/F-12B/F-12C	38	F-METAL ACCESSORIES	H-12	18	H-METAL JOINTS
F-13A/F-13B/F-13C/F-13D	39	F-METAL ACCESSORIES	H-13	18	H-METAL JOINTS
F-14	39	F-METAL ACCESSORIES	H-13A	18	H-METAL JOINTS
F-15	39	F-METAL ACCESSORIES	H-13B	18	H-METAL JOINTS
F-16	39	F-METAL ACCESSORIES	H-13C	21	H-METAL JOINTS
F-17	39	F-METAL ACCESSORIES	H-13D	21	H-METAL JOINTS
F-18	39	F-METAL ACCESSORIES	H-14	18	H-METAL JOINTS
F-18A	39	F-METAL ACCESSORIES	H-15	19	H-METAL JOINTS
F-19	39	F-METAL ACCESSORIES	H-16	19	H-METAL JOINTS
F-2	37	F-METAL ACCESSORIES	H-160	20	H-METAL JOINTS
F-20	39	F-METAL ACCESSORIES	H-16A	19	H-METAL JOINTS
F-21 (USED WITH F-4A/F-10/ F-10A)	39	F-METAL ACCESSORIES	H-17	19	H-METAL JOINTS
F-22	40	F-METAL ACCESSORIES	H-18	19	H-METAL JOINTS
F-23	40	F-METAL ACCESSORIES	H-180	20	H-METAL JOINTS
F-24A	40	F-METAL ACCESSORIES	H-19	19	H-METAL JOINTS
F-24B	40	F-METAL ACCESSORIES	H-1A	17	H-METAL JOINTS
F-25A	40	F-METAL ACCESSORIES	H-2	17	H-METAL JOINTS
F-25B	40	F-METAL ACCESSORIES	H-20	19	H-METAL JOINTS
F-25C	40	F-METAL ACCESSORIES	H-21	19	H-METAL JOINTS
F-26	40	F-METAL ACCESSORIES	H-23	19	H-METAL JOINTS
F-3	37	F-METAL ACCESSORIES	H-24	19	H-METAL JOINTS

Code	pp.	Section	Code	pp.	Section
H-3 (NON CLAMP TYPE)	17	H-METAL JOINTS	HJ-160	13	HJ-METAL JOINTS (SETS)
H-30	20	H-METAL JOINTS	HJ-17	12	HJ-METAL JOINTS (SETS)
H-301	21	H-METAL JOINTS	HJ-180	13	HJ-METAL JOINTS (SETS)
H-3K (CLAMP TYPE)	17	H-METAL JOINTS	HJ-19	12	HJ-METAL JOINTS (SETS)
H-4	17	H-METAL JOINTS	HJ-1A	10	HJ-METAL JOINTS (SETS)
H-401	21	H-METAL JOINTS	HJ-2	10	HJ-METAL JOINTS (SETS)
H-403	21	H-METAL JOINTS	HJ-20	12	HJ-METAL JOINTS (SETS)
H-45	20	H-METAL JOINTS	HJ-201	14	HJ-METAL JOINTS (SETS)
H-5	17	H-METAL JOINTS	HJ-20A	12	HJ-METAL JOINTS (SETS)
H-6	17	H-METAL JOINTS	HJ-21	12	HJ-METAL JOINTS (SETS)
H-60	20	H-METAL JOINTS	HJ-23	12	HJ-METAL JOINTS (SETS)
H-6A	17	H-METAL JOINTS	HJ-24	13	HJ-METAL JOINTS (SETS)
H-7	17	H-METAL JOINTS	HJ-3	10	HJ-METAL JOINTS (SETS)
H-7A	18	H-METAL JOINTS	HJ-30	13	HJ-METAL JOINTS (SETS)
H-8	18	H-METAL JOINTS	HJ-301	14	HJ-METAL JOINTS (SETS)
H-9	18	H-METAL JOINTS	HJ-4	10	HJ-METAL JOINTS (SETS)
H-90	20	H-METAL JOINTS	HJ-401	14	HJ-METAL JOINTS (SETS)
HJ-1	10	HJ-METAL JOINTS (SETS)	HJ-403	14	HJ-METAL JOINTS (SETS)
HJ-10	11	HJ-METAL JOINTS (SETS)	HJ-45	13	HJ-METAL JOINTS (SETS)
HJ-101	14	HJ-METAL JOINTS (SETS)	HJ-5	10	HJ-METAL JOINTS (SETS)
HJ-102	14	HJ-METAL JOINTS (SETS)	HJ-6	10	HJ-METAL JOINTS (SETS)
HJ-103	14	HJ-METAL JOINTS (SETS)	HJ-60	13	HJ-METAL JOINTS (SETS)
HJ-11	11	HJ-METAL JOINTS (SETS)	HJ-6A	10	HJ-METAL JOINTS (SETS)
H-110	11	HJ-METAL JOINTS (SETS)	HJ-6B	10	HJ-METAL JOINTS (SETS)
HJ-12	11	HJ-METAL JOINTS (SETS)	HJ-6C	10	HJ-METAL JOINTS (SETS)
HJ-13	11	HJ-METAL JOINTS (SETS)	HJ-7	11	HJ-METAL JOINTS (SETS)
HJ-13A	11	HJ-METAL JOINTS (SETS)	HJ-7A	11	HJ-METAL JOINTS (SETS)
HJ-13B	14	HJ-METAL JOINTS (SETS)	HJ-8	11	HJ-METAL JOINTS (SETS)
H-13C	14	HJ-METAL JOINTS (SETS)	HJ-9	11	HJ-METAL JOINTS (SETS)
H-13D	12	HJ-METAL JOINTS (SETS)	HJ-90	13	HJ-METAL JOINTS (SETS)
HJ-14	12	HJ-METAL JOINTS (SETS)	L-1	42	L-ADJUSTABLE SUPPORTS
HJ-14A	12	HJ-METAL JOINTS (SETS)	L-2	42	L-ADJUSTABLE SUPPORTS
HJ-15	13	HJ-METAL JOINTS (SETS)	L-2A	42	L-ADJUSTABLE SUPPORTS
HJ-15A	12	HJ-METAL JOINTS (SETS)	L-3	42	L-ADJUSTABLE SUPPORTS

Code	pp.	Section	Code	pp.	Section
L-3A	42	L-ADJUSTABLE SUPPORTS	P-L2B	24	P-PLASTIC ACCESSORIES
L-3B	42	L-ADJUSTABLE SUPPORTS	P-L2C	24	P-PLASTIC ACCESSORIES
L-3C	42	L-ADJUSTABLE SUPPORTS	P-L2D	25	P-PLASTIC ACCESSORIES
L-3D	42	L-ADJUSTABLE SUPPORTS	P-L3	25	P-PLASTIC ACCESSORIES
L-4	42	L-ADJUSTABLE SUPPORTS	P-L3A	25	P-PLASTIC ACCESSORIES
L-4A	42	L-ADJUSTABLE SUPPORTS	P-L3B	25	P-PLASTIC ACCESSORIES
L-4B	43	L-ADJUSTABLE SUPPORTS	P-L3C	25	P-PLASTIC ACCESSORIES
L-4C	43	L-ADJUSTABLE SUPPORTS	P-L3D	25	P-PLASTIC ACCESSORIES
L-4D	43	L-ADJUSTABLE SUPPORTS	P-L4	25	P-PLASTIC ACCESSORIES
L-4E	43	L-ADJUSTABLE SUPPORTS	R-28H1	36	F-METAL ACCESSORIES
L-5	43	L-ADJUSTABLE SUPPORTS	R-28H2	36	F-METAL ACCESSORIES
L-6	43	L-ADJUSTABLE SUPPORTS	R-28H3	36	F-METAL ACCESSORIES
L-6A	43	L-ADJUSTABLE SUPPORTS	R-28H4B	36	F-METAL ACCESSORIES
L-6B	43	L-ADJUSTABLE SUPPORTS	R-28H5	36	F-METAL ACCESSORIES
L-7	43	L-ADJUSTABLE SUPPORTS	R-28H5B	36	F-METAL ACCESSORIES
L-8	43	L-ADJUSTABLE SUPPORTS	R-3533 (WHITE)	27	R-TRANSPORTATION PALLETS
N-1	45	N-FASTENERS	R-3533 (YELLOW)	27	R-TRANSPORTATION PALLETS
N-2	45	N-FASTENERS	R-35H1	27	R-TRANSPORTATION PALLETS
N-3	45	N-FASTENERS	R-35H2A	27	R-TRANSPORTATION PALLETS
N-6 (SELF-LOCKING NUT)	45	N-FASTENERS	R-35H3A	27	R-TRANSPORTATION PALLETS
N-8	45	N-FASTENERS	R-35H5	27	R-TRANSPORTATION PALLETS
N-8A	45	N-FASTENERS	R-4022	28	R-TRANSPORTATION PALLETS
P-1	23	R-TRANSPORTATION PALLETS	R-4036A	28	R-TRANSPORTATION PALLETS
P-10	24	R-TRANSPORTATION PALLETS	R-4036ESD	31	R-TRANSPORTATION PALLETS
P-11	24	P-PLASTIC ACCESSORIES	R-4036ESDA	31	R-TRANSPORTATION PALLETS
P-13	24	P-PLASTIC ACCESSORIES	R-4040	28	R-TRANSPORTATION PALLETS
P-1A	23	P-PLASTIC ACCESSORIES	R-4040A	28	R-TRANSPORTATION PALLETS
P-2	23	P-PLASTIC ACCESSORIES	R-4045A	28	R-TRANSPORTATION PALLETS
P-2A	23	P-PLASTIC ACCESSORIES	R-5050	27	R-TRANSPORTATION PALLETS
P-3	23	P-PLASTIC ACCESSORIES	R-6016	32	R-TRANSPORTATION PALLETS
P-4	23	P-PLASTIC ACCESSORIES	R-6016ESD	31	R-TRANSPORTATION PALLETS
P-5	23	P-PLASTIC ACCESSORIES	R-6032	33	R-TRANSPORTATION PALLETS
P-6	23	P-PLASTIC ACCESSORIES	R-8525	34	R-TRANSPORTATION PALLETS
P-7	23	P-PLASTIC ACCESSORIES	R-8550	34	R-TRANSPORTATION PALLETS
P-8	23	P-PLASTIC ACCESSORIES	RH-4040H1	31	R-TRANSPORTATION PALLETS
P-9	24	P-PLASTIC ACCESSORIES	RH-4040H2A	31	R-TRANSPORTATION PALLETS
P-L1	24	P-PLASTIC ACCESSORIES	RH-4040H3	31	R-TRANSPORTATION PALLETS
P-L1A	24	P-PLASTIC ACCESSORIES	RH-4040H4	31	R-TRANSPORTATION PALLETS
P-L2	24	P-PLASTIC ACCESSORIES	RH-40BH1	30	R-TRANSPORTATION PALLETS
P-L2A	24	P-PLASTIC ACCESSORIES	RH-40BH2A	30	R-TRANSPORTATION PALLETS

Code	pp.	Section	Code	pp.	Section
RH-40BH2B	30	R-TRANSPORTATION PALLETS	RH-6016H1	32	R-TRANSPORTATION PALLETS
RH-40BH3	30	R-TRANSPORTATION PALLETS	RH-6016H2A	32	R-TRANSPORTATION PALLETS
RH-40BH3A	30	R-TRANSPORTATION PALLETS	RH-6016H3	32	R-TRANSPORTATION PALLETS
RH-40BH4	30	R-TRANSPORTATION PALLETS	RH-6016H3A	32	R-TRANSPORTATION PALLETS
RH-40BH4B	30	R-TRANSPORTATION PALLETS	RH-6016H5	32	R-TRANSPORTATION PALLETS
RH-40BH5	30	R-TRANSPORTATION PALLETS	RH-6016H6	32	R-TRANSPORTATION PALLETS
RH-40BH6	30	R-TRANSPORTATION PALLETS	RH-6016H6A	34	R-TRANSPORTATION PALLETS
RH-40BH6A	30	R-TRANSPORTATION PALLETS	RH-6032H1	33	R-TRANSPORTATION PALLETS
RH-40H1	29	R-TRANSPORTATION PALLETS	RH-6032H2A	33	R-TRANSPORTATION PALLETS
RH-40H2A	29	R-TRANSPORTATION PALLETS	RH-85BH1	34	R-TRANSPORTATION PALLETS
RH-40H3	29	R-TRANSPORTATION PALLETS	RH-85BH2A	34	R-TRANSPORTATION PALLETS
RH-40H3A	29	R-TRANSPORTATION PALLETS	RH-85BH5	34	R-TRANSPORTATION PALLETS
RH-40H4	29	R-TRANSPORTATION PALLETS	RH-85H1	34	R-TRANSPORTATION PALLETS
RH-40H4A	29	R-TRANSPORTATION PALLETS	RH-85H2A	34	R-TRANSPORTATION PALLETS
RH-40H4B	29	R-TRANSPORTATION PALLETS	RH-85H5	34	R-TRANSPORTATION PALLETS
RH-40H5	29	R-TRANSPORTATION PALLETS	RP-40A	31	R-TRANSPORTATION PALLETS
RH-40H6	29	R-TRANSPORTATION PALLETS	RP-40B	31	R-TRANSPORTATION PALLETS
RH-40H6A	32	R-TRANSPORTATION PALLETS	T-1	7	T-PIPES
RH-6016BH1	33	R-TRANSPORTATION PALLETS	T-1PE10DG2440-N / T-1ABS10DG4000-N	6	T-PIPES
RH-6016BH2A	33	R-TRANSPORTATION PALLETS	T-1PE10R2440-N / T-1ABS10R4000-N	6	T-PIPES
RH-6016BH3	33	R-TRANSPORTATION PALLETS	T-1PE10U2440-N / T-1ABS10U4000-N	6	T-PIPES
RH-6016BH3A	33	R-TRANSPORTATION PALLETS	T-1PE10V4000-N / T-1ABS10V4000-N	6	T-PIPES
RH-6016BH5	33	R-TRANSPORTATION PALLETS	T-1PE10W4000-N / T-1ABS15W4000-N	6	T-PIPES
RH-6016BH6	33	R-TRANSPORTATION PALLETS	T-1PEESD10B2440-N / T-1ABSESD10B4000-N	6	T-PIPES
			T-3STS409082440-N / T-3STS409084000-N	6	T-PIPES
			T-3	7	T-PIPES
			T-3STS409082440-N / T-3STS409084000-N	6	T-PIPES
			T-3STS409082440-N / T-3STS409084000-N	6	T-PIPES
			T-3SUS201104000-N / T-3SUS201084000-N / T-3SUS201124000-N	6	T-PIPES
			T4 (FOR OPEN AIR USAGE)	7	T-PIPES

